



RADA SENSE - BATH T3

- Buildcert TMV3 Scheme Approved
- WRAS Approved
- Remotely located valve (up to 3m)
- The world's first digital mixing valve for commercial use
- Sets new standards of hygiene
- No-touch ON/OFF and temperature control
- Programmable flow times and temperatures
- Programmable 'duty flushing'
- Thermal disinfection with datalogging
- Valve information and usage data
- Incorporating T-logic™ digital intelligence



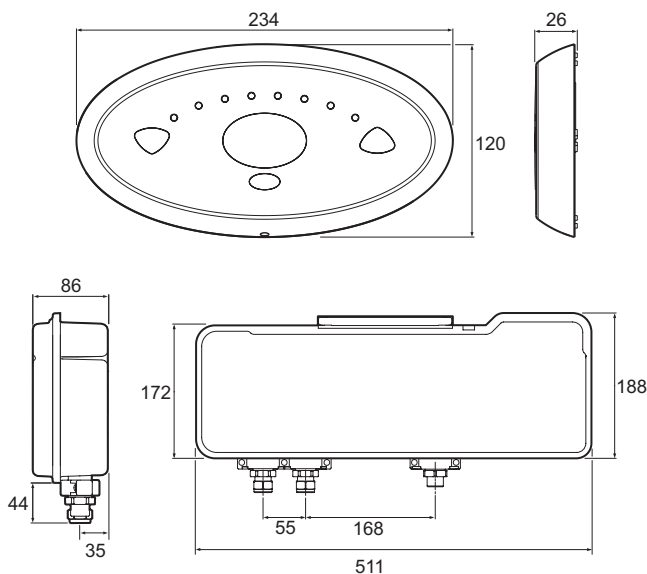
Allows the user to operate, communicate and exchange information with the mixing valve to deliver the ultimate in safety, hygiene and control.



**Specify as: Rada Sense - Bath T3 (1.1503.698)**

Concealed digital mixing valve for bath, offering programmable maximum, minimum and default temperatures, duty flush and thermal disinfection with datalogging capabilities. Supplied complete with programmable software, power supply, check valves and strainers. Wall mounted control panel offering infra-red no-touch controls for flow and temperature adjustment and programmable timed flow control.

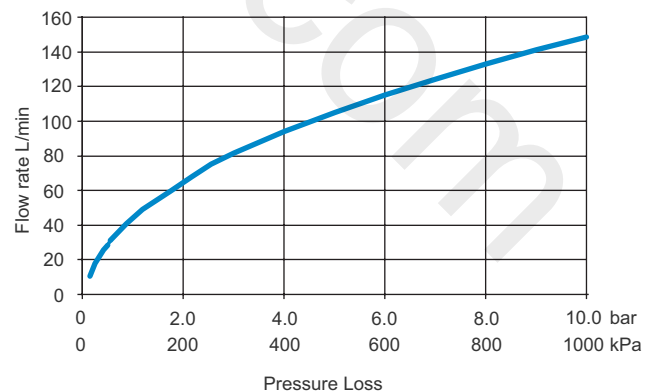
**Dimensions (mm)**



**Specify as: Rada Sense Bath Kit T3 (1.1503.722)**

Rada Sense as per bath complete with wall mounted bath spout with 150 mm throw.

**Flow Diagram**



**Kohler Mira Limited**  
 Cromwell Road  
 Cheltenham  
 Gloucestershire  
 GL52 5EP

**Specification Enquiries**  
 Tel: 0844 571 1777  
 Fax: 0844 472 3076  
 Email: rada\_technical@mirashowers.com  
 www.radacontrols.com



## TECHNICAL SPECIFICATION

### Installation and Maintenance

Please refer to the appropriate product manual.

### Connections

Inlet and outlet connections: 3/4" BSP male.

### Approvals

Buildcert TMV3 Thermostatic Mixing Valve Scheme approved:-

LP-T44 Low Pressure Bathfill up to 44°C

LP-T46 Low Pressure Bathfill up to 46°C (Assisted)

HP-T44 High Pressure Bathfill up to 44°C

HP-T46 High Pressure Bathfill up to 46°C (Assisted)

Certificate No. BC100/0205

Complies with the technical requirements of BS7942 for the same designations

Certificate No. BC101/0205

Designed to comply with European Standards EN1111 and EN1287

WRAS approved (Water Regulations Advisory Scheme)

BEAB approved

Designed to IEC 61508

Designed, manufactured and supported in accordance with accredited

BS EN ISO 9001:2008 Quality Management Systems and

BS EN ISO 14001:2004 Environmental Management Systems

### Operation

Temperature selector: Full no-touch temperature control.

Flow control: No-touch ON/OFF.

### Materials

Control panel cover: Chrome plated ABS.

Mixing unit enclosure: PC/ABS.

Integral components: DZR brass, stainless steel, engineering plastic.

### Temperature Range

Factory pre-set: Min 30°C, Max 44°C, Default 40°C.

Programmable range: Min 30°C - 47°C, Max 33°C - 50°C and Default 30°C - 50°C.

Minimum blend temperature differential from hot supply: 2°C.

Optimum thermostatic control range: 30°C - 50°C.

Cold water range (recommended): 1°C - 20°C.

Hot water range (recommended): 50°C - 65°C (85°C during disinfection).

Temperature stability:  $\pm 1^\circ\text{C}$  for recommended supply conditions.

### Pressures

Maximum static pressure: 10 bar (1000 kPa).

Minimum pressure loss: 0.2 bar (20 kPa) Refer to Note.

Hot and cold pressure should be nominally equal.

(Max differential 3:1 either way).

Minimum flow rate: 9 l/min.

**Note!** The pressure loss of a system (valve and outlet fitting) is the

average of the two inlet pressures minus the back pressure, where the back pressure is determined by the flow resistance of any outlet fitting.

### Environment

Ambient temperature: 1°C - 40°C.

Maximum relative humidity: 95% non-condensing.

**Note!** Certain types of compact fluorescent and low voltage lighting use high frequency lamps that can interfere with the infrared system used in the control panel. Install in areas where standard switch-start fluorescent lighting is used.

### IP Rating

Control panel: IP47

Overall valve enclosure: IP24

Electronics compartment: IP45

PSU: IP45.

### Electrical Specification

Supply Voltage: 100 - 240 V RMS 50 - 60 HZ.

Maximum load: 20 W at 12 V DC.

Control panel cable length: 3 m supplied (6 m max).

**Times** (Duty flush not enabled at factory, programming required)

Factory settings

Flow time: 300 seconds.

Duty flush cycle: 2 minutes.

Duty flush waiting period: 12 hours.

Programmable range

Flow time: 5 sec - 60 min.

Duty flush cycle: 1 min - 59 min.

Duty flush waiting period: 1 hr - 983 hrs.

### Disinfection

Factory settings

Minimum temperature: 60°C.

Minimum time: 5 minutes.

Programmable range

Minimum temperature: 60°C - 85°C.

Minimum time: 0 - 50 minutes.

### Pocket PC (PDA\*)

A Pocket PC is required to adjust factory settings, retrieve data, configure duty flush and disinfection cycles.

The programmer software supplied is designed to run on Microsoft Pocket PC 2002 and Microsoft Windows Mobile (for Pocket PC).

\* Personal Digital Assistant (not supplied).

Please refer to the appropriate software manual.

**Kohler Mira Limited**  
Cromwell Road, Cheltenham  
Gloucestershire, GL52 5EP

#### Specification Enquiries

Tel: 0844 571 1777, Fax: 0844 472 3076  
Email: rada\_technical@mirashowers.com  
www.radacontrols.com

**Rada is a registered trademark of Kohler Mira Limited.**

The company reserves the right to alter product specification without notice.

© January 2012 Kohler Mira Limited. All rights reserved.

No part of this document, or any accompanying document, may be reproduced or transmitted in any form or by any means, including photocopying or electronically, without the permission of Kohler Mira Limited.

A **KOHLER** COMPANY



FM 14648

