

# Mira Event XS Thermostatic Dual Power Shower



COLD WATER  
CISTERN AND HOT  
WATER CYLINDER



YEAR GUARANTEE

Bursting with performance. Bringing safe, powerful showering with the added benefit of a dual shower

## Product Information

Description	Colour	Product No.
Mira Event XS Thermostatic Dual	White/Chrome	1.1532.425

## Features & Benefits

### Temperature control

Thermostatic temperature control for safer showering

Automatic shutdown if cold water fails

Factory set to safe maximum temperature

### Easy to fit

No need to prime

Accepts rising, falling and rear supplies

Replaces older Mira Event XS Models easily sharing the same connections and screw holes

### Easy to service

Removable filters and check valves

### For your customer

Separate flow and temperature controls including start/stop button to help you fine tune your perfect shower

Maximum temperature stop to enhance the safety

Suited to homes with a low pressure water system and plentiful supply of hot water

Robust shower fittings with 1.25m shower hose

Dual Outlet - Diverts easily between an overhead deluge and separate handshower

200mm deluge overhead and 90mm single mode handshower



To download other resources, and for more information and advice on our products just visit:  
[www.mirashowers.co.uk](http://www.mirashowers.co.uk)

# Product Specification

## Tech Details

### Temperature Control

Control type: Thermostatic

### Installation

Supply voltage: 230v ± 10%

Supply rating: 3 amp

Terminal Block connections: Maximum 2.5mm<sup>2</sup>

Water entry points: Left (rising, falling & rear)

Cable entry points: Left (rising, falling & rear)

Inlet connections: 15mm dual entry push fit.  
Hot and cold, 28mm pipe centres

Outlet connections: ½" BSP Male

Cistern: Minimum 230 litres

### Supply Conditions (hot and cold)

Cold water range: Up to 25°C

Hot water range: 50°C - 65°C max (recommended)

Minimum maintained pressure: 0.008 bar (80mm head)

Maximum maintained pressure: 0.5 bar (5 metre head)

Maximum static pressure: 1.0 bar (10 metre head)

### Performance

Flow rate: Up to 14 L/min from either outlet

Temperature stability: ± 2°C

### Safety Features

Temperature override: Yes

Factory set to safe max temp: Yes

### Accessories

Wide range of accessories available at [www.mirashowers.co.uk](http://www.mirashowers.co.uk)

### Approvals

CE approved

BEAB approved

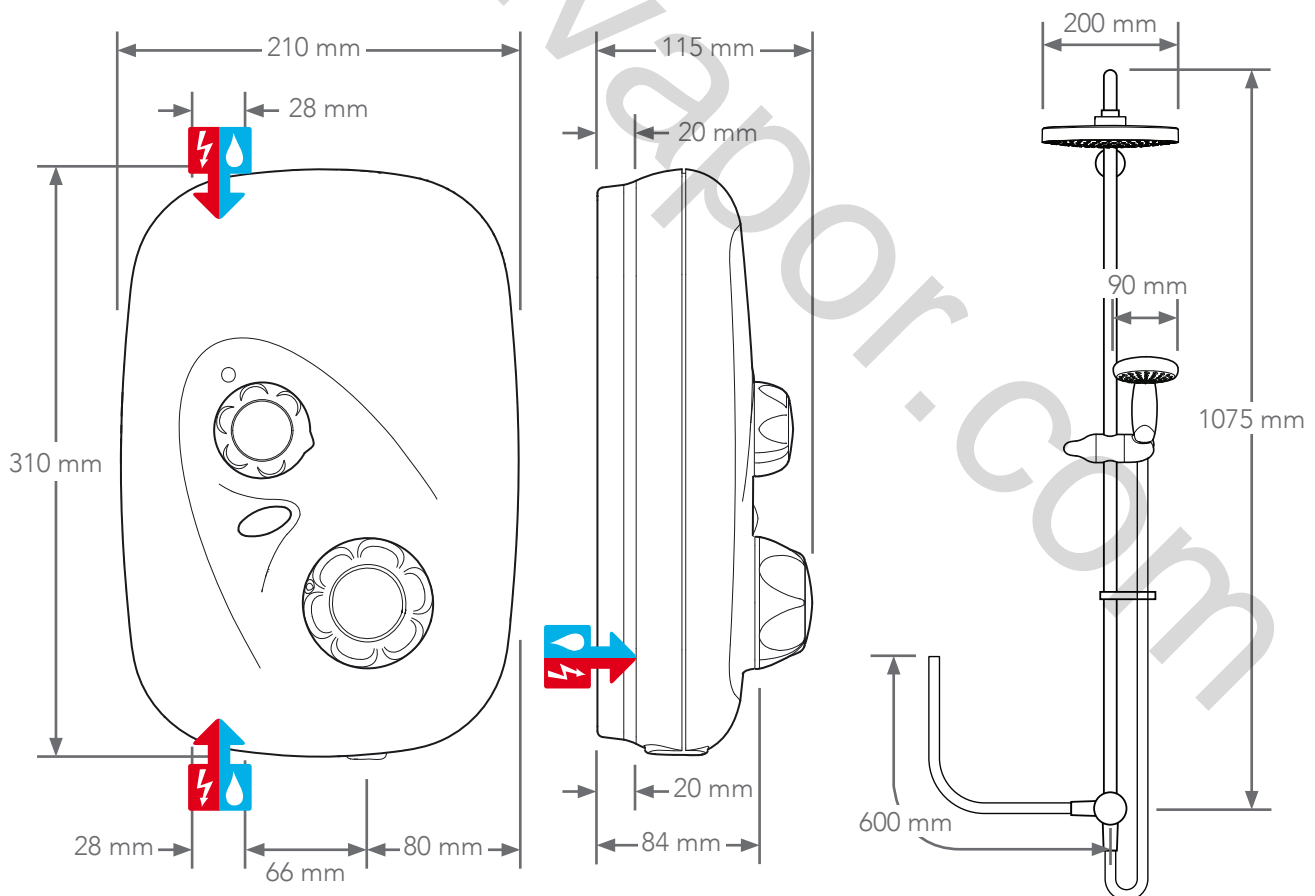
Kiwa certified

WRAS approved (Water Regulations Advisory Scheme)

UKCA approved



## Dimensions



To download other resources, and for more information and advice on our products just visit: [www.mirashowers.co.uk](http://www.mirashowers.co.uk)

**mira**  
SHOWERS