

Mira Element SLT

Mixer Shower Range



SUITABLE FOR ALL SYSTEMS



5 YEAR WARRANTY

Fine tune your perfect shower with the best performing single lever shower. Complete with thermostatic technology, making showering safer for all the family.

Product Information

Description	Colour	Product No.
Mira Element SLT EV	Chrome	1.1656.011
Mira Element SLT BIV	Chrome	1.1656.012

Features & Benefits

Temperature control

Thermostatic temperature stability

Easy to fit

Quickly and easily fits onto reversed inlet supplies

Easy to service

Large, long-life filters and replaceable cartridge

For your customer

Lift and twist – one lever control for flow and temperature

Mira Magni-flo™ technology delivers up to 3x more flow, even at low pressure

Uses up to 30% less water with the eco flow function (over-rideable)

5 spray 11cm showerhead with rub-clean nozzles (except BIR which has one single spray)



MIRA ELEMENT SLT EV



MIRA ELEMENT SLT BIV

Product Specification

Tech Details

Temperature control

Control type: Thermostatic

Installation

Water entry points: Rising, falling or rear

Inlet connections: 15 mm compression (EV & BIV)

Outlet connections: ½" BSP Male Flat Face (EV) or 15mm compression (BIV)

Reversed inlets supported: Yes

Supply Conditions (hot and cold)

Cold water range: Up to 25°C

Hot water range: 50°C-85°C (operating)
55°C-65°C (recommended)

Minimum maintained pressure: 0.1 bar (1 metre head)

Maximum maintained pressure: 5.0 bar (50 metre head)

Maximum static pressure: 10.0 bar (100 metre head)

Performance

Flow rate (at handset): 13 l/min at 0.5 bar

Temperature stability: ± 2°C

Safety Features

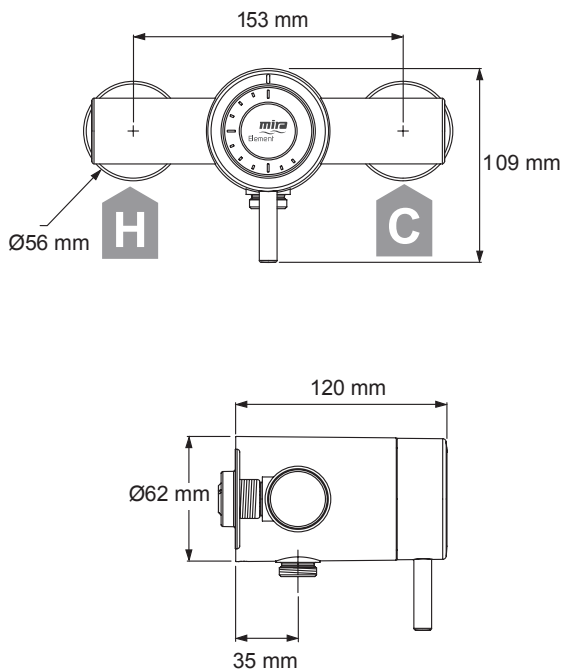
Automatic shutdown: Shutdown within 2 secs

Factory set to safe max temp: Factory set to 41°C

Adjustable maximum temperature for on-site conditions

Dimensions

Exposed Valve



Built-in Valve

