

Mira Platinum High Pressure

(2009 - current N85A)

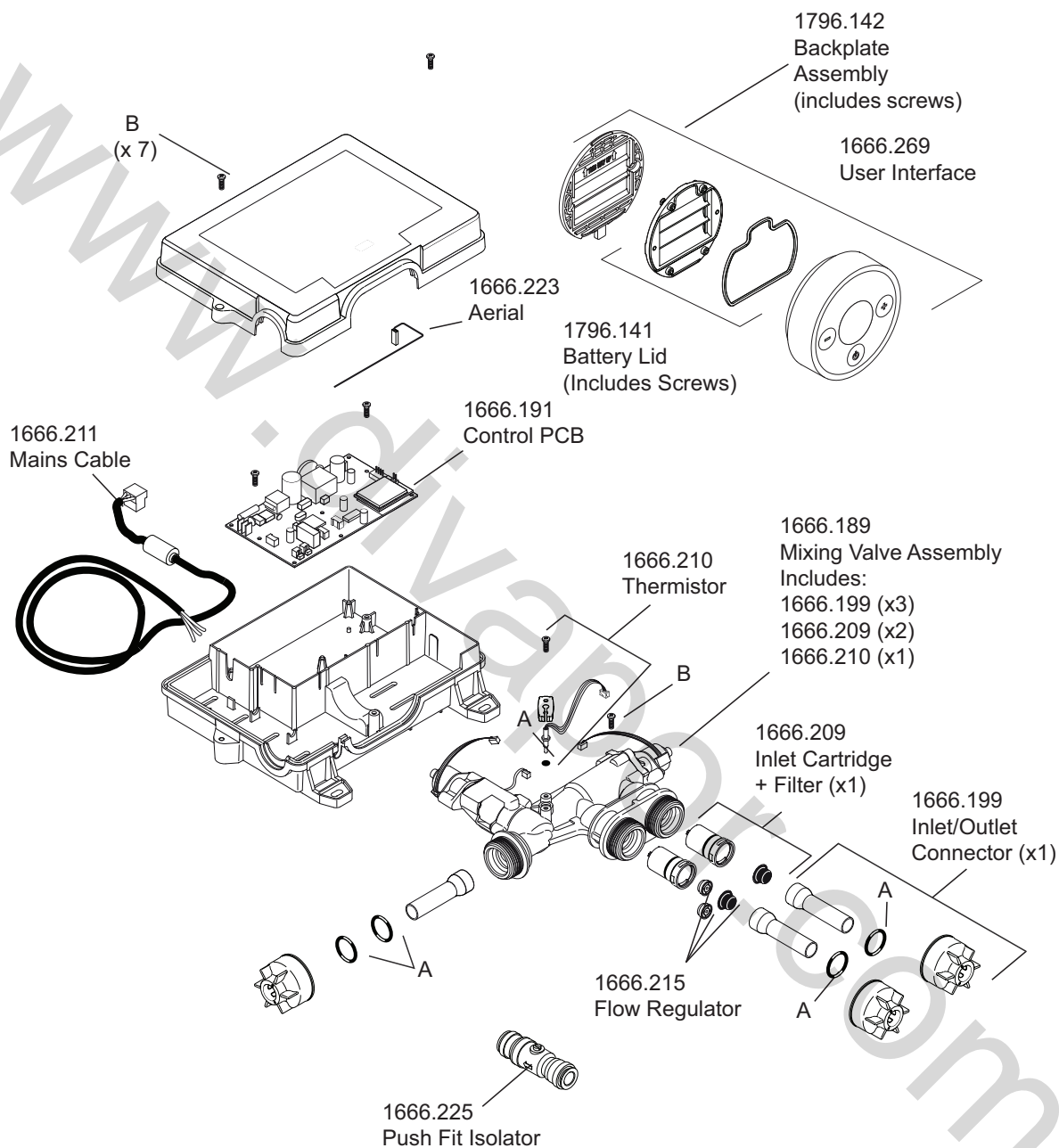
Ceiling Fed - 1.1666.001

Rear Fed - 1.1666.200

Valve & Controller Only - 1.1666.003



Digital Mixing Valve



1666.212 Seal Pack - Components Identified 'A'

1666.213 Screw Pack - Components Identified 'B'

Mira Platinum High Pressure

(2009 - current N85A)

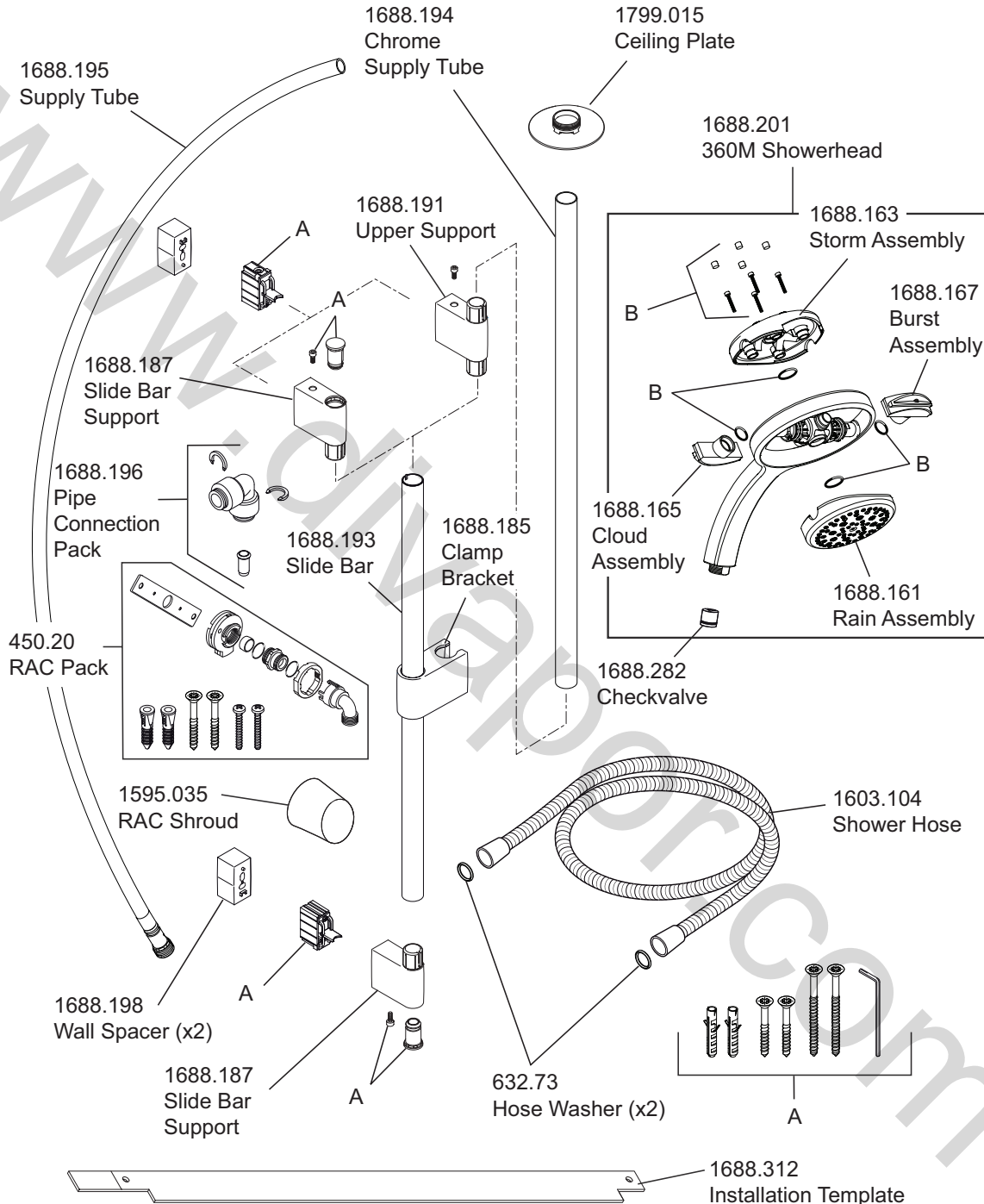
Ceiling Fed - 1.1666.001

Rear Fed - 1.1666.200

Valve & Controller Only - 1.1666.003



Shower Fittings - Showerhead



1688.184 Seal and Screw Pack - Components Identified 'B'.

1688.190 Classic Fittings Component Pack - Components identified 'A'.

Mira digital showers are provided with a five year warranty and spare parts are available free of charge during that period with a valid proof of purchase. For showers outside of the warranty period, spare parts are available to purchase direct, alternatively we have Mira technicians who can repair your shower for you. For further information visit www.mirashowers.co.uk or to check availability of spare parts for this shower or enquire about our repair service please contact our customer service on **0844 571 5000**.

mira
SHOWERS