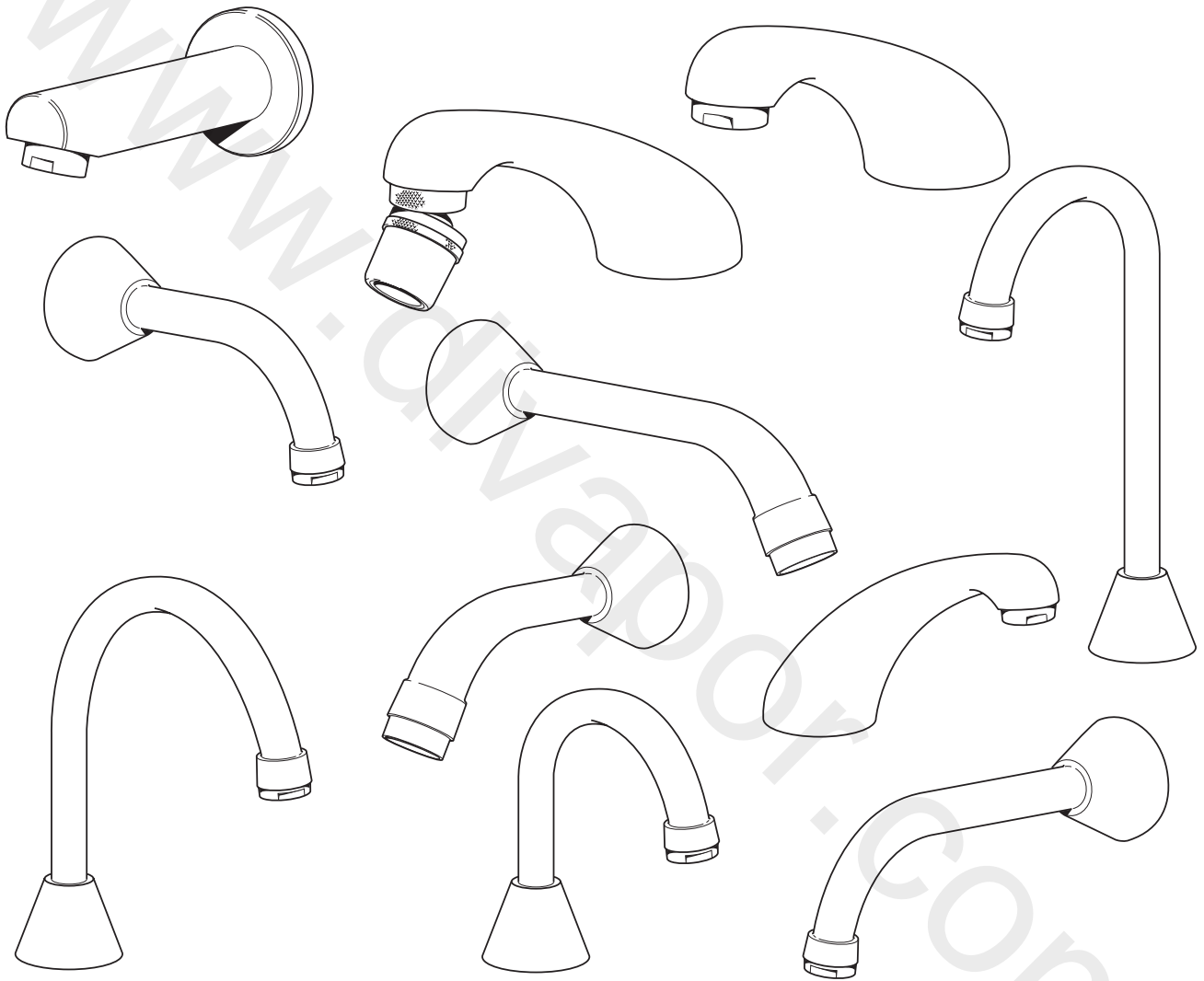




# Sense Spout Kits



## PRODUCT MANUAL

### IMPORTANT

**Installer:** This Manual is the property of the customer and must be retained with the product for maintenance and operational purposes.

# Contents

<b>Description</b> .....	<b>3</b>
<b>Important Safety Information</b> .....	<b>3</b>
<b>Specifications</b> .....	<b>3</b>
<b>Dimensions and Checklist</b> .....	<b>4</b>
<b>Installation</b> .....	<b>6</b>
Wall Mounted Bath/Washbasin Spouts .....	6
Deck Mounted Bath Spouts .....	6
Deck Mounted Washbasin/Bidet Spouts .....	7
<b>Maintenance</b> .....	<b>7</b>
Cleaning .....	7
Changing the Flow Straightner .....	7
<b>Spares</b> .....	<b>7</b>
Straighteners .....	7
<b>Customer Care</b> .....	<b>8</b>
Guarantee .....	8
After Sales Service - how we can help you .....	8
Spare Parts .....	8
Customer Care Policy .....	8
Contact .....	8

## Description

A range of 1/2" washbasin spouts and 3/4" bath spouts for wall or deck mounting, also available a 1/2" bidet spout. Bidet and washbasin spouts are supplied fitted with 5 l/m regulating flow straightners with a optional unregulated flow straightner supplied. Bath spouts are only fitted with unregulated flow straightners.

## Important Safety Information

Installation must be carried out in accordance with these instructions, and must be conducted by designated, qualified and competent personnel.

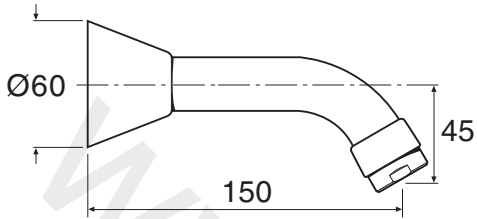
## Specifications

Static Pressure - kPa (Bar)	Minimum	10 (0.1)
	Maximum	1000 (10)

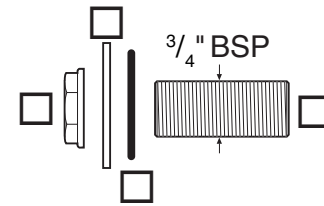
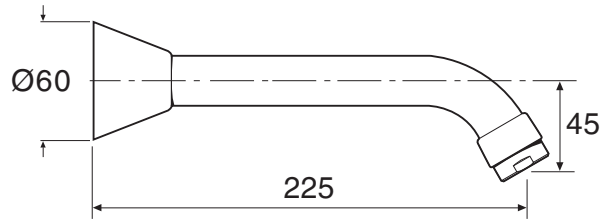
# Dimensions and Checklist

Tick the appropriate box to familiarise yourself with the spout and to confirm that all the parts illustrated are included.

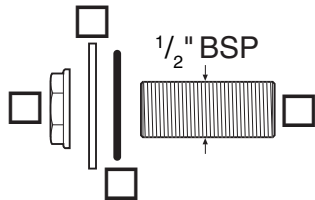
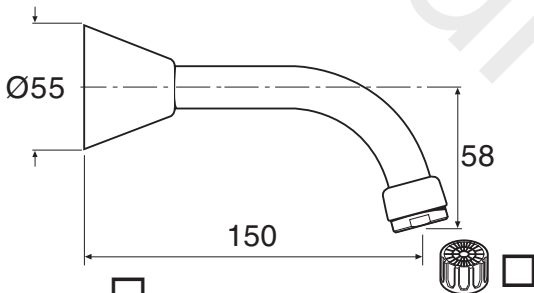
**Note!** All dimensions are nominal and in millimetres.



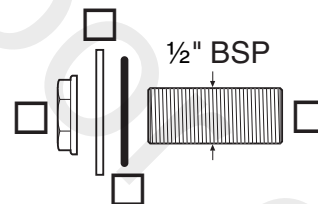
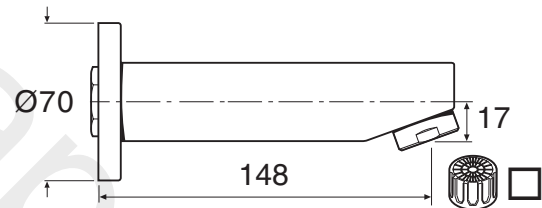
Wall Mounted Bath 150mm   
SP T150, Part No. 1503.734



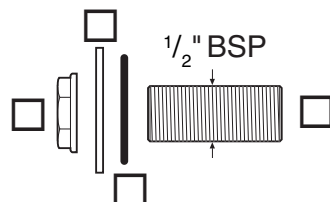
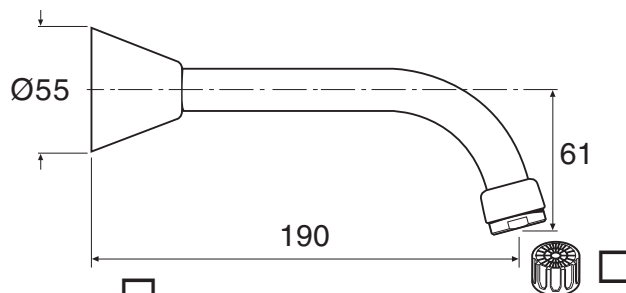
Wall Mounted Bath 225mm   
SP T225, Part No. 1503.735



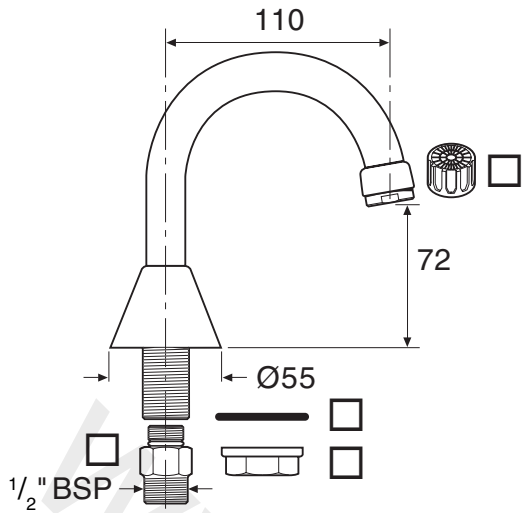
Wall Mounted Washbasin 150mm   
SP W150, Part No. 1503.729



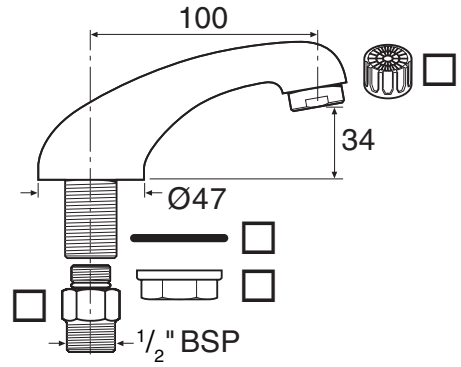
Wall Mounted Washbasin 150Xmm   
SP W150X, Part No. 1503.731



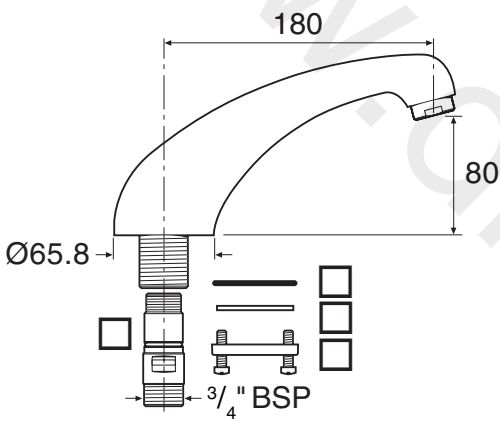
Wall Mounted Washbasin 190mm   
SP W190, Part No. 1503.730



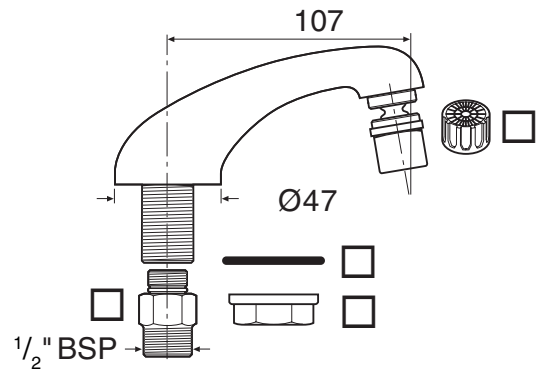
Washbasin Deck 110mm   
 SP WD110, Part No. 1503.727



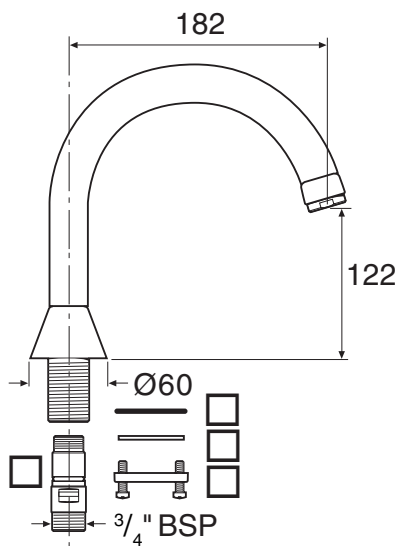
Washbasin Deck 100mm   
 SP WD100, Part No. 1503.726



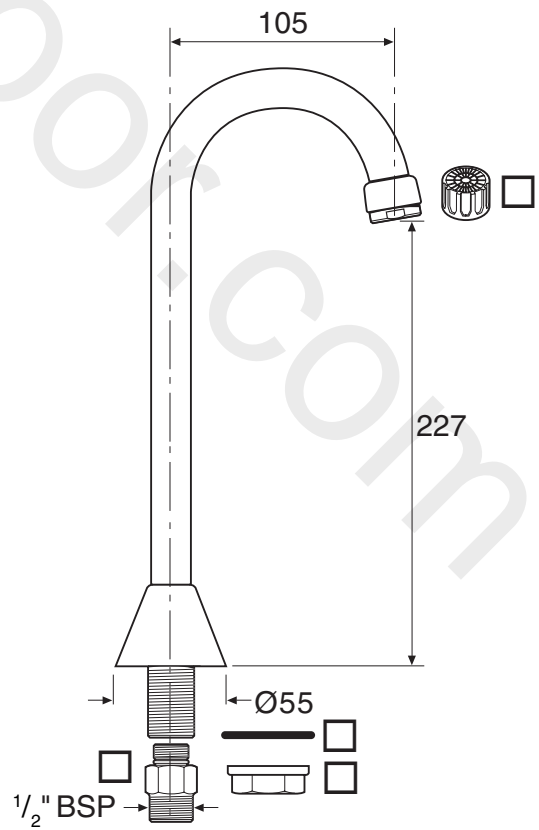
Bath Deck 180mm   
 SP TD180, Part No. 1503.732



Spout Bidet   
 SP Bidet, Part No. 1503.736



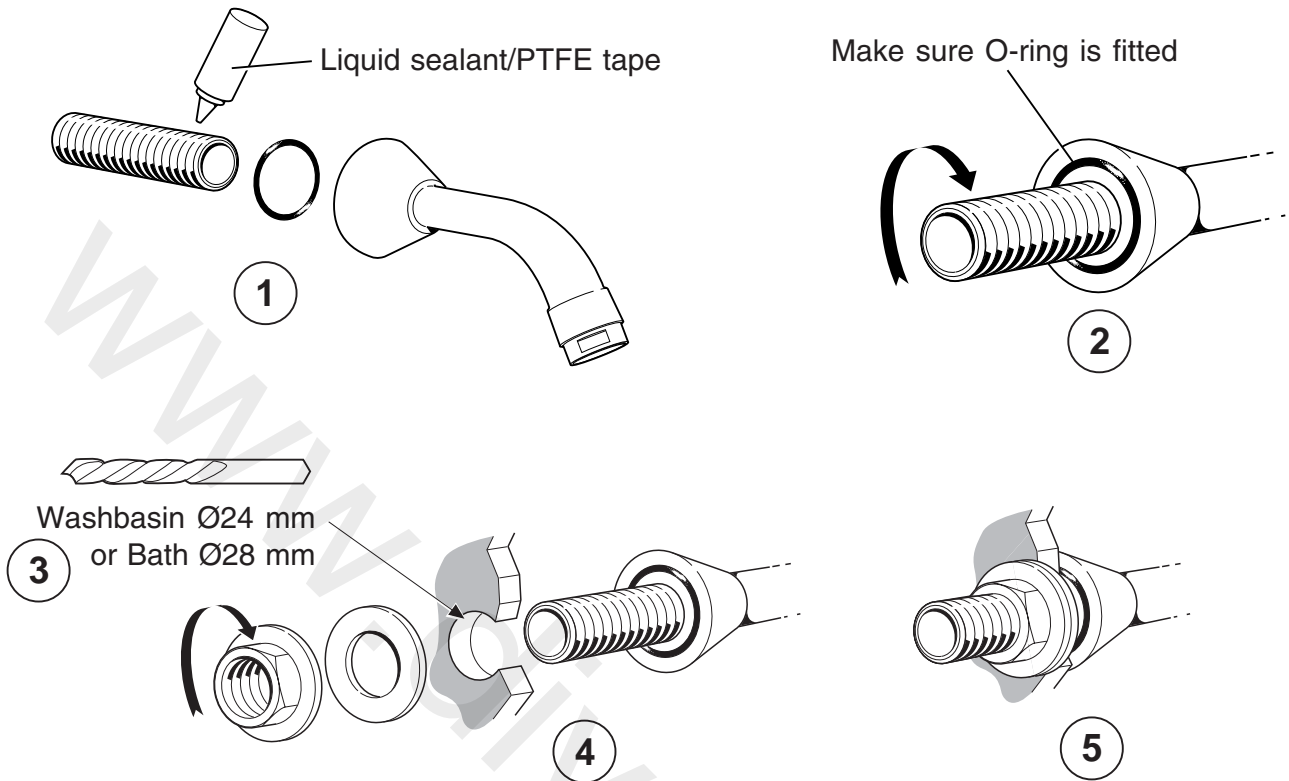
Bath High-neck Deck 200mm   
 SP THD200, Part No. 1503.733



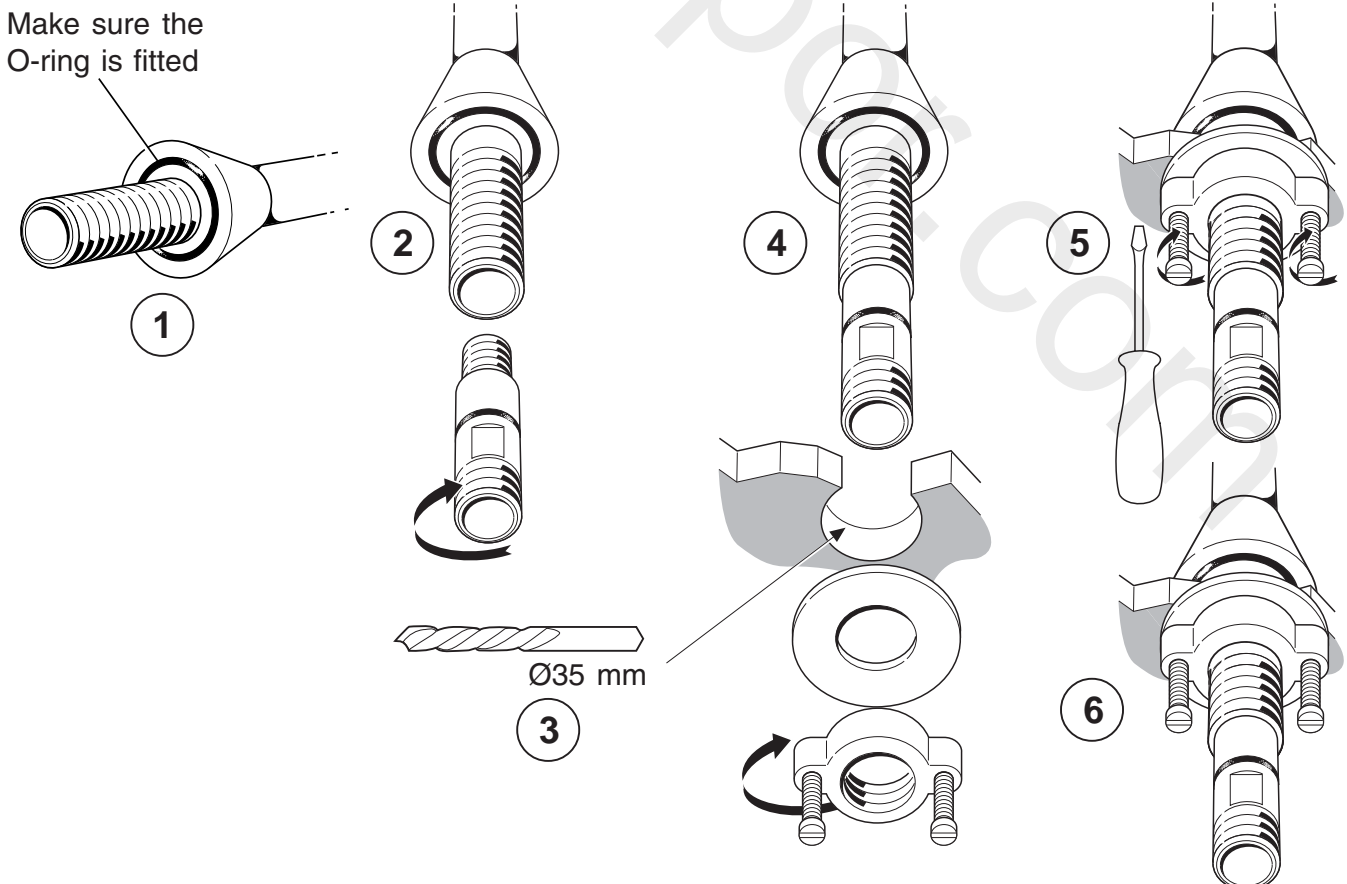
Washbasin High-neck Deck 110mm   
 SP WHD110, Part No. 1503.728

# Installation

## Wall Mounted Bath/Washbasin Spouts

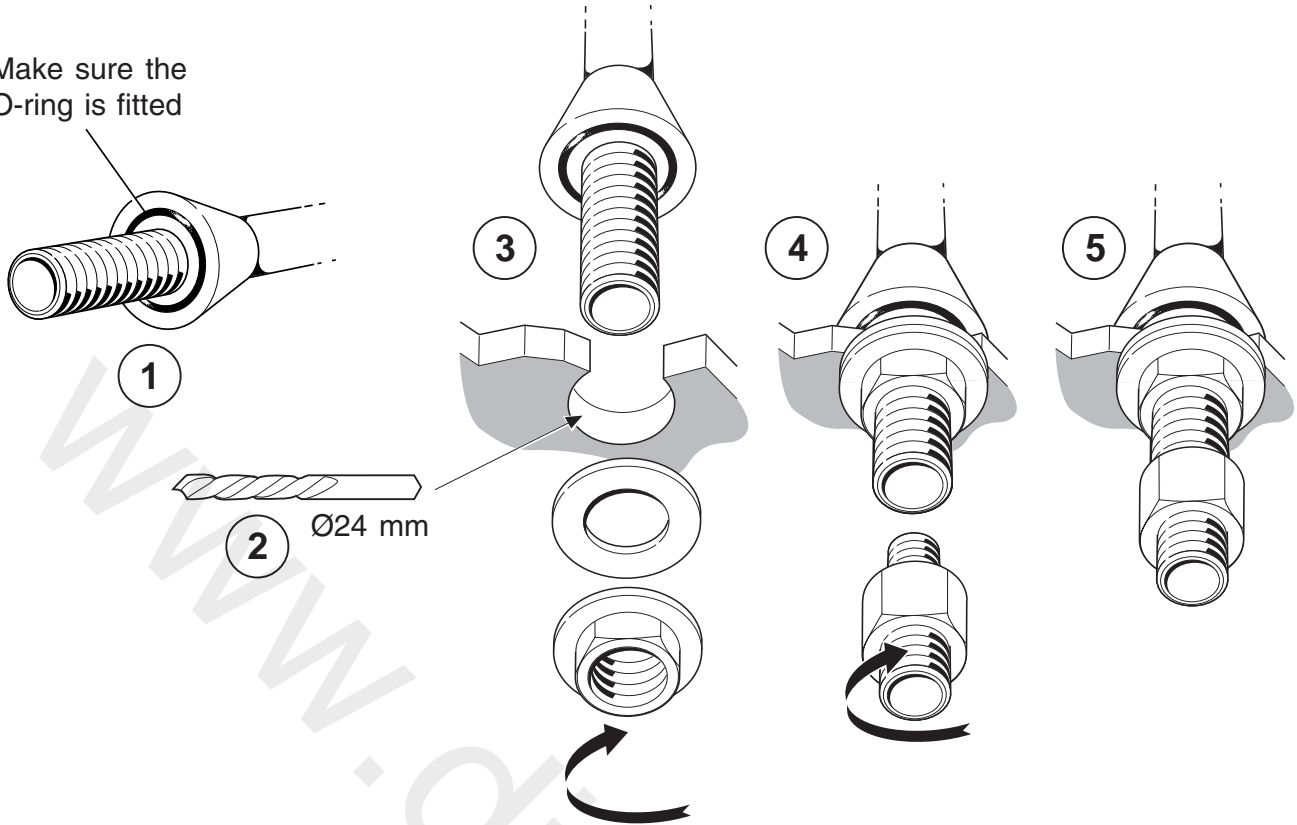


## Deck Mounted Bath Spouts



## Deck Mounted Washbasin/Bidet Spouts

Make sure the O-ring is fitted

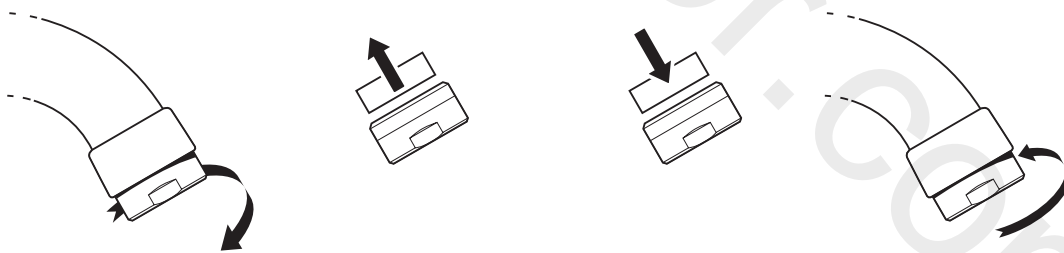


## Maintenance

### Cleaning

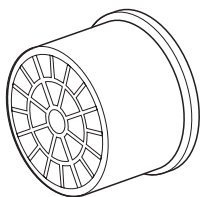
The spouts should **ONLY** be cleaned using a mild washing up detergent or soap solution and wiped dry with a soft cloth.

### Changing the Flow Straightener

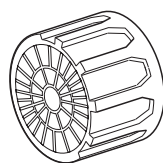


## Spares

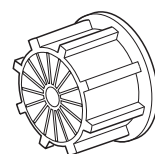
### Straighteners



Bath Unregulated  
Part No. 463.85



Washbasin Unregulated Washbasin 5l/m Regulating  
Part No.463.86



# Customer Care

## Guarantee

This product is guaranteed against any defect of materials or workmanship for one year from the date of purchase, provided that the product has been installed correctly and used in accordance with the instructions supplied.

Any part found to be defective during the guarantee period will be replaced or repaired - at our option - without charge, provided that the product has been properly used and maintained. Routine cleaning and maintenance should be carried out in accordance with the instructions supplied.

The product should not be modified or repaired except by a person authorised by Rada. Your statutory rights are in no way affected by this guarantee.

## After Sales Service - how we can help you

We have a network of fully trained staff ready to provide assistance, should you experience any difficulty operating your Rada equipment.

## Spare Parts

All functional parts of Rada products are kept for up to ten years from the date of final manufacture.

If during that period, our stock of a particular part is exhausted we will, as an alternative, provide an equivalent new product or part at a price equating to the cost of repair to the old, bearing in mind the age of the product.

## Customer Care Policy

If within a short time of installation the product does not function correctly, first check with the operation and maintenance advice provided in this Manual to see if the difficulty can be overcome.

Failing this, contact your installer to ensure that the product has been installed and commissioned in full accord with our detailed installation instructions.

If this does not resolve the difficulty, please ring your nearest Rada contact who will give every assistance and, if appropriate, arrange for the local Service Engineer or Agent to call on a mutually agreeable date.

---

## Contact

---

### Rada Controls

Cromwell Road,  
Cheltenham, England,  
GL52 5EP, UK.

Tel.: + 44 (0)1242 221221

Fax.: + 44 (0)1242 221925

Rada is a registered trade mark of  
Kohler Mira Limited.

The company reserves the right  
to alter product specifications  
without notice.

[www.radacontrols.com](http://www.radacontrols.com)



FM 14648