

## RADA AUTOTHERM-3 BSM



- Buildcert TMV3 Scheme Approved
- Buildcert TMV2 Scheme Approved
- WRAS Approved
- Approved for both high and low pressure use
- The only bath shower mixer with the facility to deliver one maximum temperature for bathfill and another for showering
- It will automatically reset a safe maximum showering temperature, where a higher bathfill temperature had already been set
- Easy “above-the-bath maintenance”, body removable from manifold for easy access to check valves and filters
- Supplied complete with service-free temperature and flow cartridges, check valves and flexible tails
- An optional range of three complementary shower fittings. Including a category 5 compliant option.

**Specify as: Rada Autotherm-3 BSM (1.1533.110)**

Fully thermostatic bath and shower mixer, TMV 3 approved for both low and high pressure installation and featuring a patented automatic safe temperature adjustment on the shower.

Supplied complete with service-free temperature and flow cartridges, check valves, strainers, isolating ball valves and flexible tails.

**Specify as: Rada Autotherm-3 EV Shower Fittings (1.1533.117)**

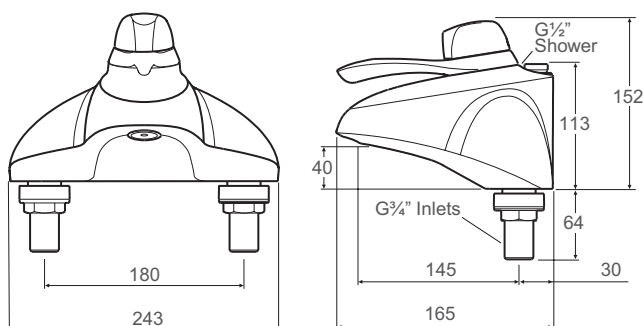
Shower fittings including 3 mode adjustable chrome handset, slide bar, 1.5 m hose and soap dish. For more information please refer to the specific data sheet.

**Specify as: Rada Autotherm-3 EV - CAT 5 Shower Fittings (1.1533.118)**

Shower fittings including 3 mode adjustable chrome handset, slide bar, 1.5 m hose, soap dish and patented security ring approved for category 5 installations. For more information please refer to the specific data sheet.

**Specify as: Rada BSM Shower Fittings (1.1533.247)**

Shower fittings including 3 mode adjustable chrome handset, slide bar, 1.5 m hose and soap dish. For more information please refer to the specific data sheet.

**Dimensions (mm)**

TECHNICAL SPECIFICATION

**Installation and Maintenance**

Please refer to the appropriate Product Manual.

**Connections**

Inlets to BSM body: 3/4" BSP male at 180 mm centres.  
Hot left, cold right.  
Inlets supplied with 0.5 m long flexible hoses: 22 mm compression fitting with isolating valves.  
Shower outlet: 1/2" BSP male.

**Approvals**

Buildcert TMV3 Thermostatic Mixing Valve Scheme approved:  
LP-S - Low Pressure Shower  
LP-T44 - Low Pressure Bathfill  
LP-D44 - Diverts to bath and shower with appropriate temperature selection  
HP-S - High Pressure Shower  
HP-T44 - High Pressure Bathfill  
HP-D44 - Diverts to bath and shower with appropriate temperature selection  
Certificate No: BC 103 0804.  
Complies with the technical requirements of BS7942 for the same designations.  
Buildcert TMV2 Thermostatic Mixing Valve Scheme approved:  
HP-B - High Pressure Bidet  
HP-S - High Pressure Shower  
HP-W - High Pressure Washbasin  
HP-T - High Pressure Bathfill  
LP-S - Low Pressure Shower  
Certificate No: BC 121 0205.  
Designed to comply with European Standards EN1111 and EN1287.  
WRAS approved (Water Regulations Advisory Scheme).  
Designed, manufactured and supported in accordance with accredited BS EN ISO 9001:2008 Quality Management Systems and BS EN ISO 14001:2004 Environmental Management Systems.

**Operation**

A lever is used to divert between showering and bathfill modes. A separate temperature knob allows alternative temperature selection.

**Materials**

Body: DZR brass chrome plated.  
Lever and temperature knob: chrome plated zinc alloy.

**Temperature Range**

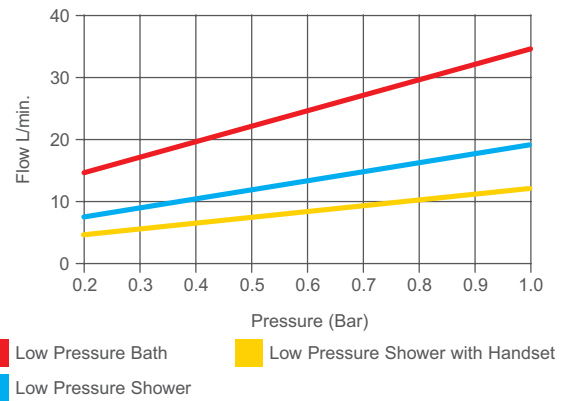
Factory preset to 41°C for shower and 44°C for bathfill.  
Optimum thermostatic control range: 35°C - 45°C.  
Recommended hot: 55°C - 65°C.  
Recommended cold: 5°C - 20°C.

**Pressures/Flow Rate**

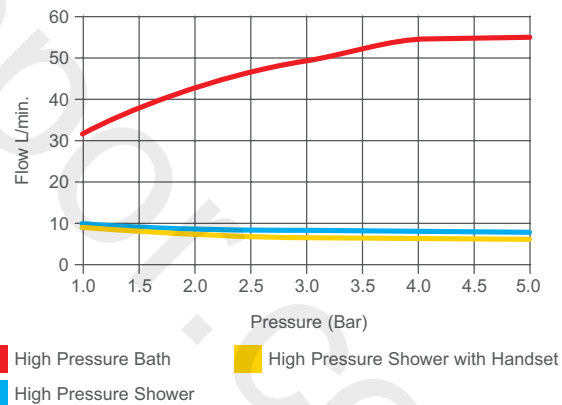
Maximum static pressure: 10 bar.  
Maintained inlet pressure range: 0.2 - 5.0 bar.  
Maximum pressure loss ratio: 10:1 in favour of either supply during flow.  
**Note!** Both hot and cold pressure should be nominally equal.

**Flow Diagram (Low Pressure)**

**Note!** A flow regulator is fitted to the shower outlet. The regulator should be removed if the inlet pressure is below 1 bar.



**Flow Diagram (High Pressure)**



**Weight**

Product	Gross Weight (Kgs)	Total Packaged Weight (Kgs)
Rada Autotherm-3 BSM	8.0	9.0
EV Shower Fittings	1.170	1.850
EV-CAT5 Shower Fittings	1.170	1.850
BSM Shower Fittings	1.170	1.850

**Kohler Mira Limited**  
Cromwell Road, Cheltenham  
Gloucestershire, GL52 5EP

**Specification Enquiries**  
Tel: 0844 571 1777, Fax: 0844 472 3076  
Email: rada\_technical@mirashowers.com  
www.radacontrols.com

Rada is a registered trademark of Kohler Mira Limited.  
The company reserves the right to alter product specification without notice.  
© January 2012 Kohler Mira Limited. All rights reserved.  
No part of this document, or any accompanying document, may be reproduced or transmitted in any form or by any means, including photocopying or electronically, without the permission of Kohler Mira Limited.

A **KOHLER** COMPANY

