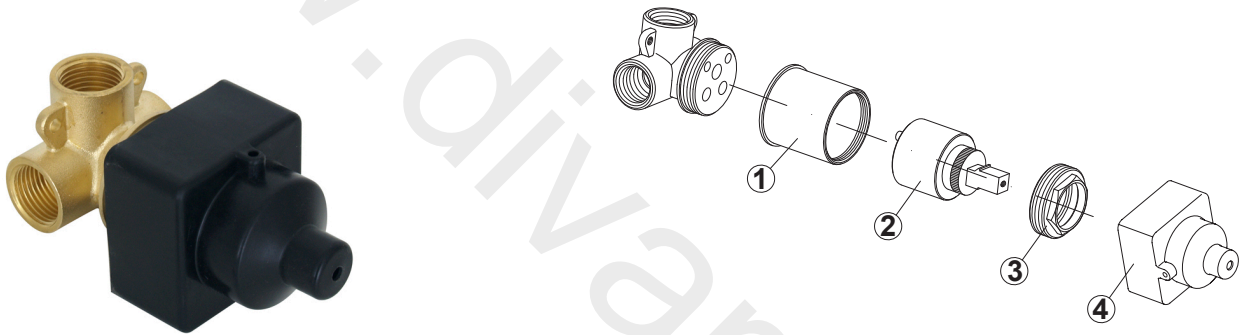


100107937

PROJECT LINE - Concealed shower valve with Ø35 mm ceramic cartridge and 1/2" connectors. Flow rate 21 l/min. at 3 bar



Extension kit

OPTION	SAP	FINISH	DIMENSION
1	100120437	-	25 mm

Spare parts

POS.	SAP	ART.	RRP*
1	100108400	INTERNAL CARTRIDGE COVER PROJECT LINE	-
2	100048506	CARTUCHO 08E35FGO00NK	-
3	100108411	NUT + TRIM PROJECT LINE CHROME	-
4	100114972	PLASTIC PROTE. PROJECT LINE CARTRID.	-