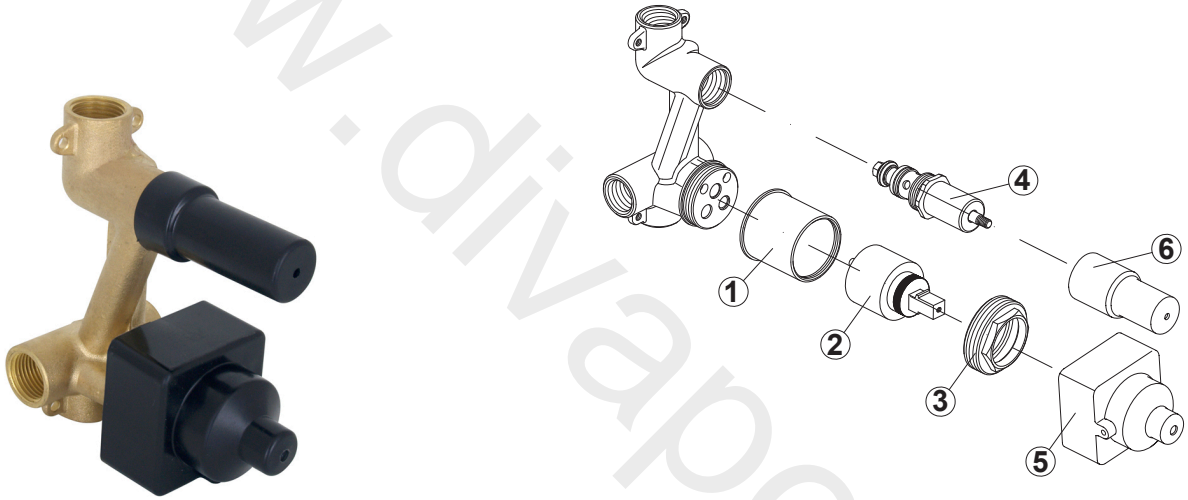


100107958

PROJECT LINE - Concealed bath shower valve with Ø35 mm ceramic cartridge, automatic diverter and 1/2" connectors.
Flow rate at 3 bar: 20 l/min bath, 18 l/min shower.



Extension kit

OPTION	SAP	FINISH	DIMENSION
1	100120437	-	25 mm
	100120438	CHROME	
2	100120437	-	25 mm
	100241128	BLACK	
3	100120437	-	25 mm
	100295479	GOLD	
4	100120437	-	25 mm
	100295486	WHITE	
5	100120437	-	25 mm
	100295512	TITANIUM	
6	100120437	-	25 mm
	100295484	BRUSHED TITANIUM	
7	100120437	-	25 mm
	100295531	COPPER	
8	100120437	-	25 mm
	100295493	BRUSHED COPPER	
9	100120437	-	25 mm
	100299105	BRUSHED GOLD	

Spare parts

POS.	SAP	ART.	RRP*
------	-----	------	------

1	100108400	INTERNAL CARTRIDGE COVER PROJECT LINE	-
2	100048506	CARTUCHO 08E35FGO00NK	-
3	100108411	NUT + TRIM PROJECT LINE CHROME	-
4	100108395	SQUARE DIVER. PROJECT LINE CON. B/S CHR.	-
5	100114972	PLASTIC PROTE. PROJECT LINE CARTRID.	-
6	100114973	PLASTIC PROT. PROJECT LINE DIVERTER	-