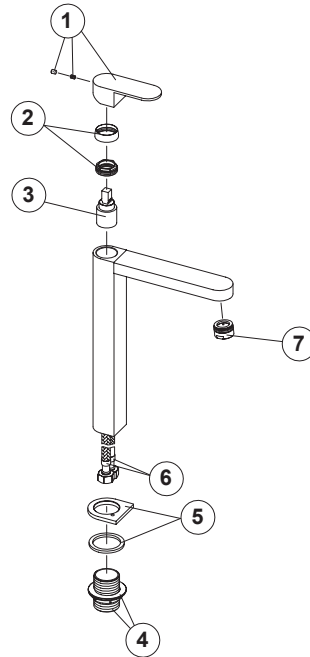


**100126423 chrome**

Single lever basin mixer 3/8". Ø25 mm ceramic cartridge. Length of hoses 370 mm. Without pop-up waste set 1 1/4". "Plus" aerator. Flow rate 5 l/min. at 3 bar



## Spare parts

**Versión: 1 : A00**

POS.	SAP	ART.	RRP*
1	100129747	HANDLE HOTELS BASIN MIXER CHROME	-
2	100108398	nut + trim hotels basin mixer chrome	-
3	100129745	25 MM KEROX CART. WITHOUT DISTRIBUTOR	-
4	100108394	fixings hotels basin mixer chrome	-
5	100108393	base hotels basin mixer chrome	-
6	100129746	HOSE BASIN MIXER HOTELS	-
7	100072936	FLOW REGULATOR 5 L/MIN STANDARD AERATOR	-

**Versión: 2 : A02**

POS.	SAP	ART.	RRP*
1	100129747	HANDLE HOTELS BASIN MIXER CHROME	-
2	100108398	nut + trim hotels basin mixer chrome	-
3	100129745	25 MM KEROX CART. WITHOUT DISTRIBUTOR	-
4	100108394	fixings hotels basin mixer chrome	-
5	100108393	base hotels basin mixer chrome	-
6	100129746	HOSE BASIN MIXER HOTELS	-
7	100072936	FLOW REGULATOR 5 L/MIN STANDARD AERATOR	-

**Versión: 3 : A01**

POS.	SAP	ART.	RRP*

1	100129747	HANDLE HOTELS BASIN MIXER CHROME	-
2	100108398	nut + trim hotels basin mixer chrome	-
3	100129745	25 MM KEROX CART. WITHOUT DISTRIBUTOR	-
4	100108394	fixings hotels basin mixer chrome	-
5	100108393	base hotels basin mixer chrome	-
7	100072936	FLOW REGULATOR 5 L/MIN STANDARD AERATOR	-

**Versión: 4 : b01**

POS.	SAP	ART.	RRP*
1	100129747	HANDLE HOTELS BASIN MIXER CHROME	-
2	100108398	nut + trim hotels basin mixer chrome	-
3	100129745	25 MM KEROX CART. WITHOUT DISTRIBUTOR	-
4	100108394	fixings hotels basin mixer chrome	-
5	100108393	base hotels basin mixer chrome	-
6	100129746	HOSE BASIN MIXER HOTELS	-
7	100072936	FLOW REGULATOR 5 L/MIN STANDARD AERATOR	-