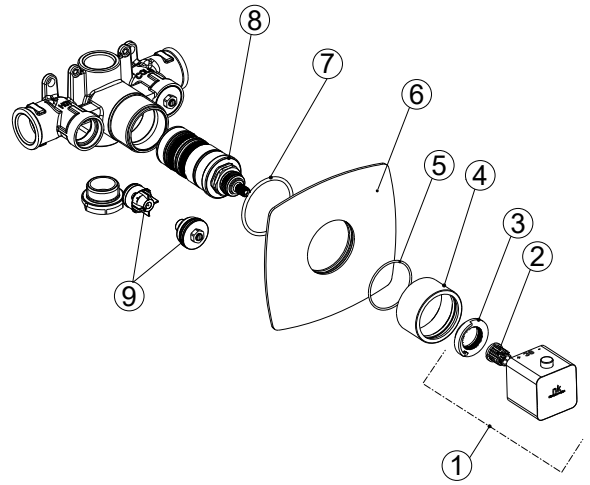
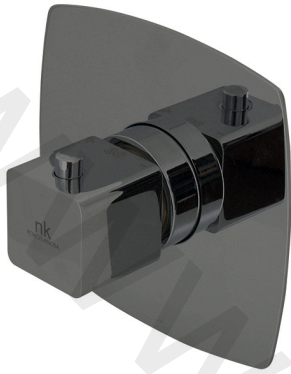


## 100209818 titanium

Concealed thermostatic 3/4" with wax thermostatic element. Built in non-return valve. Safety stop at 38°C . Flow rate 57,9 l/min. at 3 bar. It is required to order this item with at least one wall mounted stop valve.



### Extension kit

| OPTION | SAP       | FINISH   | DIMENSION |
|--------|-----------|----------|-----------|
| 1      | 100295510 | TITANIUM | 30 mm     |

### Spare parts

| POS. | SAP       | ART.                                     | RRP* |
|------|-----------|--|------|
| 1    | 100302003 | MANETA TEMPE TERMO LOUNGE TITANIO        | -    |
| 2    | 100066742 | INSERTO PLASTICO MEZCLAD.TERMO.CLIP13X20 | -    |
| 3    | 100046424 | ANILLO LIMIT.TEMP.TERM.BASIC             | -    |
| 4    | 100266841 | FIXING SINGLE THERM. LOUNGE TITANIUM     | -    |
| 5    | 100103128 | O-RING FRONT SOFT THERMOSTATIC           | -    |
| 6    | 100266850 | PLATE SINGLE THERMOST. LOUNGE TITANIUM   | -    |
| 7    | 100103129 | O-RING BACK SOFT                         | -    |
| 8    | 100039544 | MONTURA REGULAD.TEMPERATURA FUTURE       | -    |
| 9    | 100060455 | FILTRO TERMOST. ENC. BASIC               | -    |