



SLIM



100238318

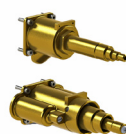


100238407

P. 3 →



100124168



100124171

P. 24 →



LOUNGE

- 100140107
- 100181018
- 100181019
- 100281098
- 100281126

Brushed
Brushed



FORMA

- 100140128



MOOD

- 100161412



CHELSEA

- 100156032



LIGNAGE

- 100257033
- 100258768
- 100258818
- 100299076

Brushed
Brushed



NK CONCEPT

- 100145072



SQUARE

- 100124172
- 100266846



URBAN

- 100124174
- 100210638



RONDO

- 100124173
- 100212603
- 100281099
- 100281150
- 100327528
- 100280797
- 100280870
- 100327526

Brushed
Brushed
Brushed

noken

PORCELANOSA BATHROOMS

SMART BOX

Carretera CV-20 km.2 · 12540 Vila-real · Castellón · Spain
Tel: +34 964 50 64 50 - Fax: +34 964 50 67 93
e-mail: noken@noken.com · www.noken.com



SLIM



100238318



100238407



LOUNGAGE

- 100140107
- 100181018
- 100181019
- 100281098
- 100281126

Brushed
Brushed



FORMA

- 100140128



MOOD

- 100161412



CHELSEA

- 100156032



LIGNAGE

- 100257033
- 100258768
- 100258818
- 100299076

Brushed
Brushed



NK CONCEPT

- 100145072



SQUARE

- 100124172
- 100266846



URBAN

- 100124174
- 100210638



RONDO

- 100124173
- 100212603
- 100281099
- 100281150
- 100327528
- 100280797
- 100280870
- 100327526

Brushed
Brushed
Brushed

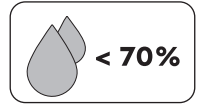
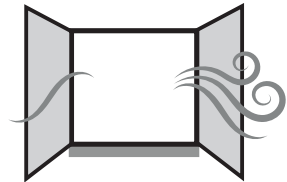
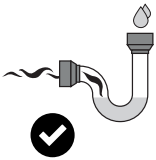
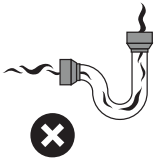
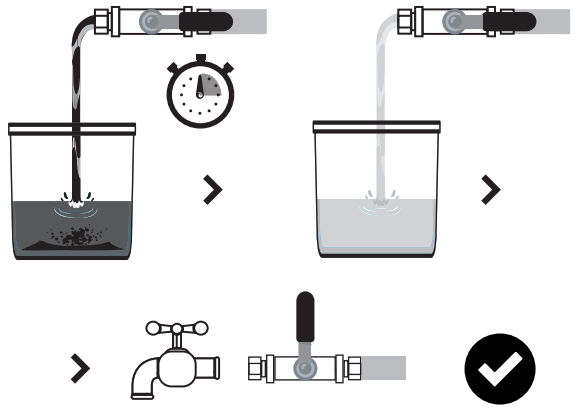
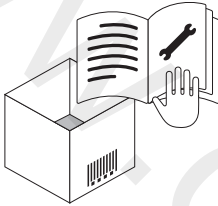
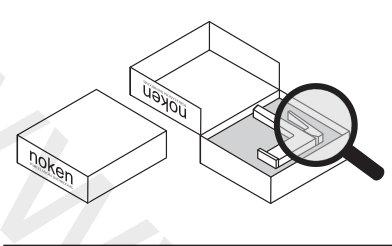
noken

PORCELANOSA BATHROOMS

Carretera CV-20 km.2 · 12540 Vila-real · Castellón · Spain
Tel: +34 964 50 64 50 - Fax: +34 964 50 67 93
e-mail: noken@noken.com · www.noken.com

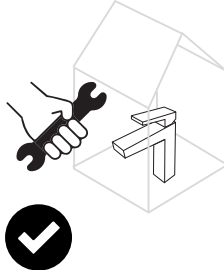
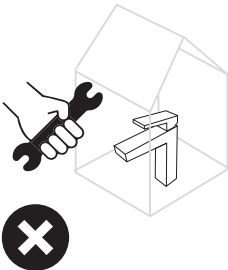
SMART BOX

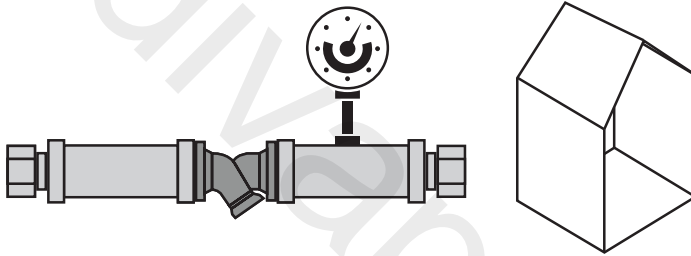
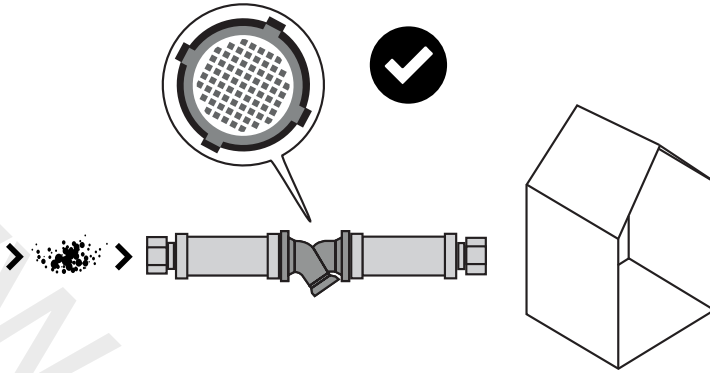
TERMO (SLIM)



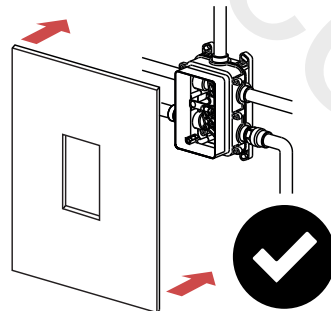
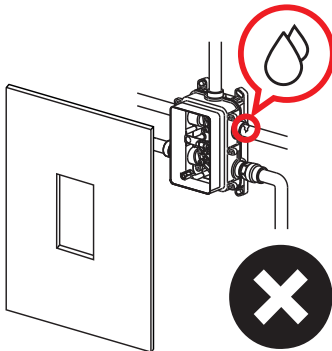
 **< 5° C**

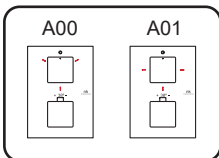
 **> 5° C**





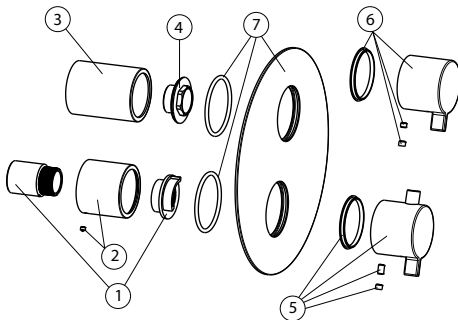
< 5 Bar





LIGNAGE

- 100257033
- 100258768
- Brushed ● 100258818
- Brushed ● 100299076

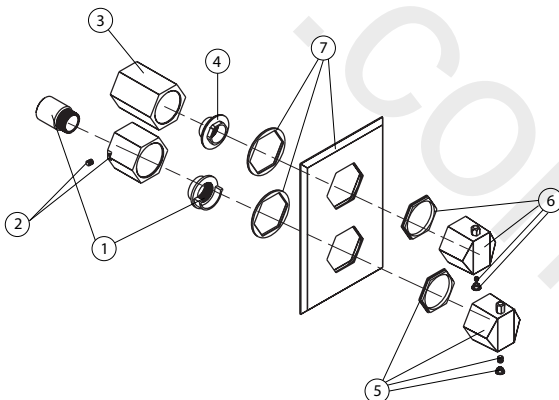


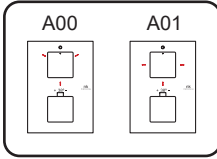
	A01 ○ 100257033	A01 ● 100258768	A01 (Brushed) ● 100258818	A01 (Brushed) ● 100299076
1	100144319			
2	100112836	100270403	100289361	100299102
3	100144334	100270377	100289306	100299039
4	100144333			
5	100268642	100270392	100289648	100299085
6	100268634	100270376	100302010	100299078
7	100268643	100270369	100289672	100299104

CHELSEA

- 100156032

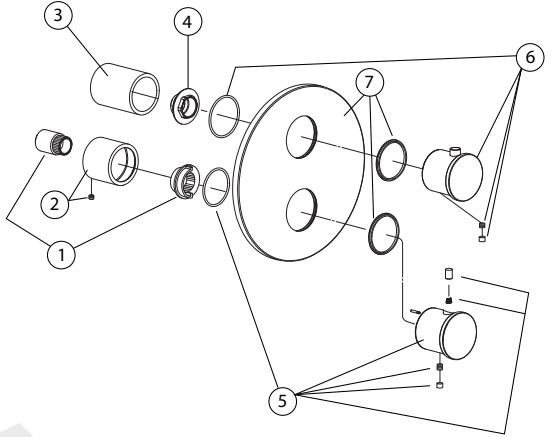
	A00	A01
1	100144319	
2	100159804	
3	100159783	
4	100144333	
5	100159817	
6	100159784	
7	100159796	100251815





MOOD

○ 100161412



	A00	A01
1	100144319	
2	100112836	
3	100144334	
4	100144333	
5	100170336	
6	100170345	
7	100144341	100246354

LOUNGE

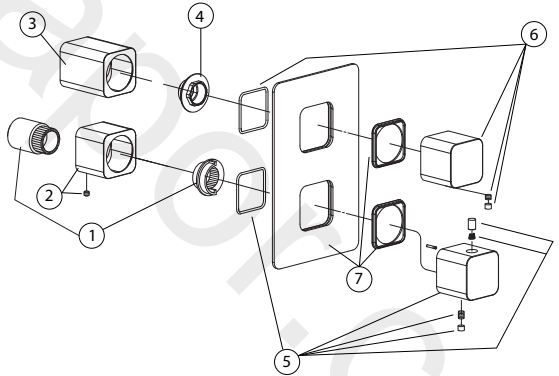
○ 100140107

● 100181018

● 100181019

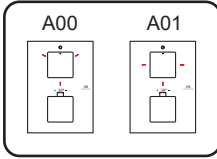
Brushed ● 100281098

Brushed ● 100281126



	100140107	
	A00	A01
1	100144319	
2	100170346	
3	100170327	
4	100144333	
5	100170326	
6	100170337	
7	100170338	100246353

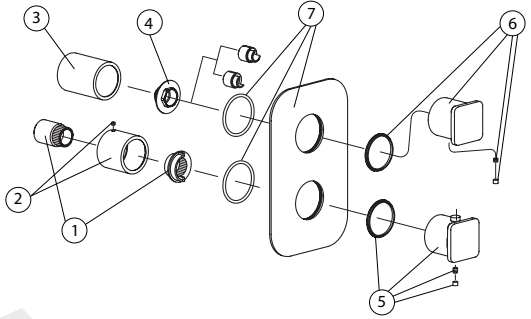
	B02 ● 100181018	B02 ● 100181019	A01 (Brushed) ● 100281098	A01 (Brushed) ● 100281126
1	100144319			
2	100289363	100289344	100289424	100289317
3	100289295	100289297	100289313	100289324
4	100144333			
5	100289385	100289319	100289372	100289346
6	100289358	100289386	100289380	100289368
7	100289421	100289396	100289395	100289422



FORMA

● 100140128

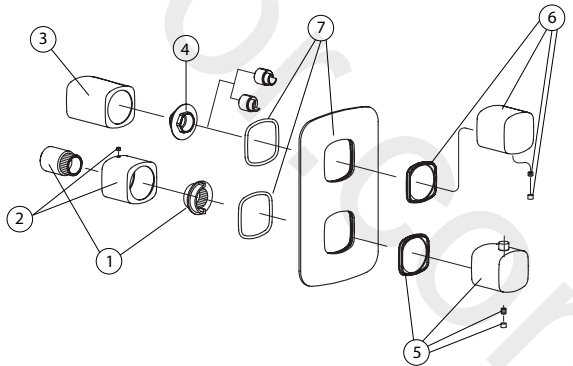
	A00	A01
1	100144319	
2	100112836	
3	100144334	
4	100144333	
5	100155261	
6	100155256	
7	100155254	100246363

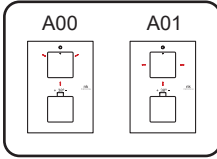


NK CONCEPT

● 100145072

	A00	A01
1	100144319	
2	100155239	
3	100155262	
4	100144333	
5	100155245	
6	100155271	
7	100155270	100246390

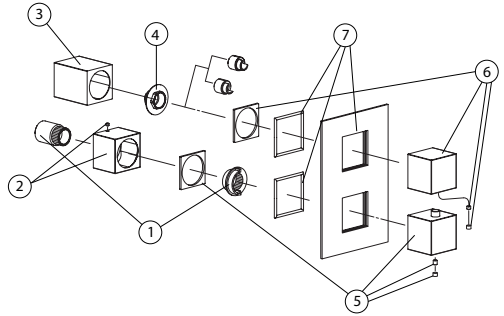




SQUARE

- 100124172
- 100266846

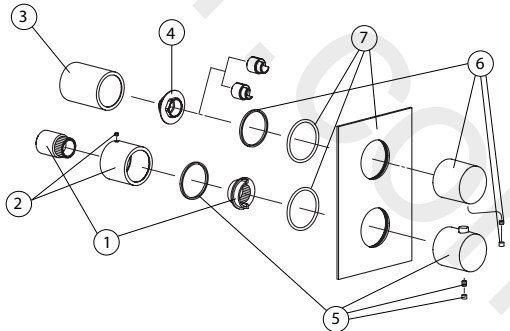
		A00	A01
1			100144319
2	○		100108399
2	●		100279461
3	○		100144343
3	●		100279428
4			100144333
5	○		100144342
5	●		100279462
6	○		100144352
6	●		100279454
7	○	100144335	100246355
7	●		100279463

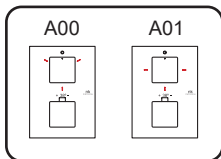


URBAN

- 100124174
- 100210638

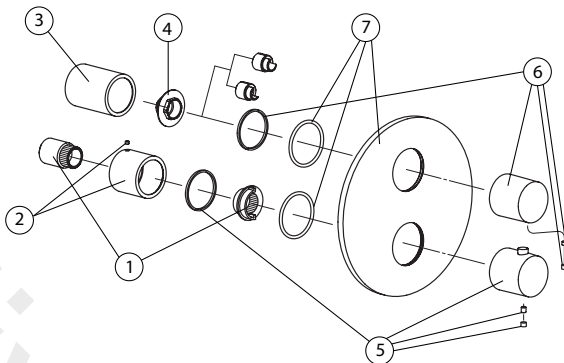
		A00	A01
1			100144319
2	○		100112836
2	●		100148125
3	○		100144334
3	●		100219064
4			100144333
5	○		100144350
5	●		100219034
6	○		100144351
6	●		100219063
7	○	100144360	100246356
7	●	100219026	100246392





RONDO

- 100124173
- 100212603
- 100281099
- 100281150
- 100327528
- Brushed ● 100280797
- Brushed ● 100280870
- Brushed ● 100327526



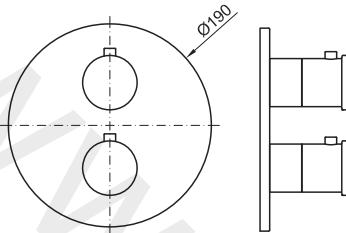
	A00 ○	A01 ○	●	A01 ●	A01 ●
	100124173		100327528	100212603	
1			100144319		
2	100112836		100270403	100148125	
3	100144334		100270377	100219064	
4			100144333		
5	100144350		100338113	100219034	
6	100144351		100338112	100219063	
7	100144341	100246354	100338084	100219035	100246391

	A01 ●	A01 ●	● (Brushed) 100327526	A01 (Brushed) 100280797	A01 (Brushed) 100280870
1			100144319		
2	100289309	100289345	100299102	100289361	100289362
3	100289289	100289335	100299039	100289306	100289334
4			100144333		
5	100289370	100289382	100338095	100289648	100289366
6	100289316	100289373	100338111	100289353	100289318
7	100289328	100289375	100338084	100289410	100289377



MOOD

● 100161412



LOUNGE

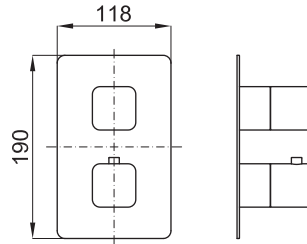
● 100140107

● 100181018

● 100181019

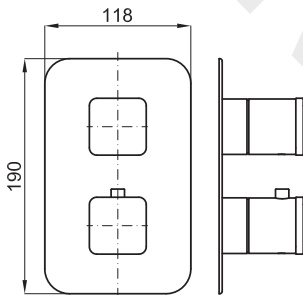
Brushed ● 100281098

Brushed ● 100281126



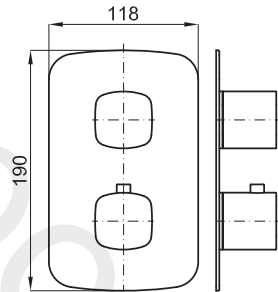
FORMA

● 100140128



NK CONCEPT

● 100145072



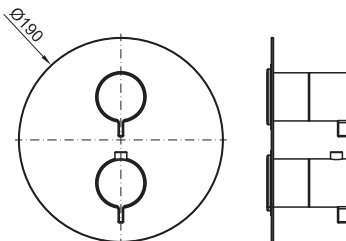
LIGNAGE

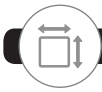
● 100257033

● 100258768

Brushed ● 100258818

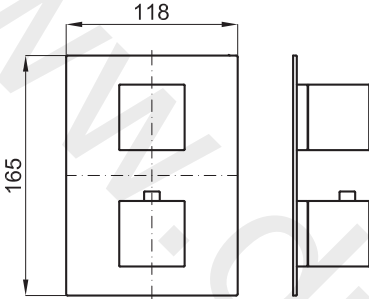
Brushed ● 100299076





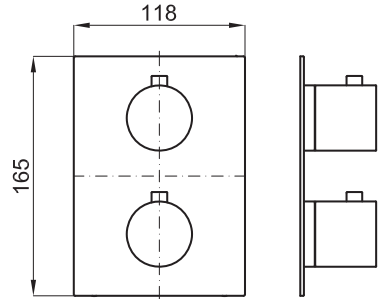
SQUARE

- 100124172
- 100266846



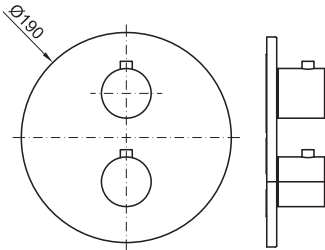
URBAN

- 100124174
- 100210638



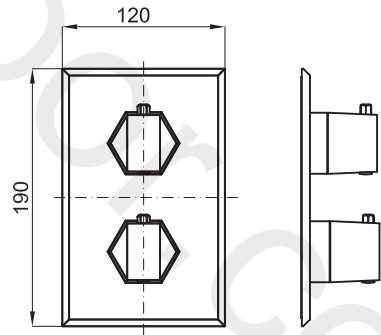
RONDO

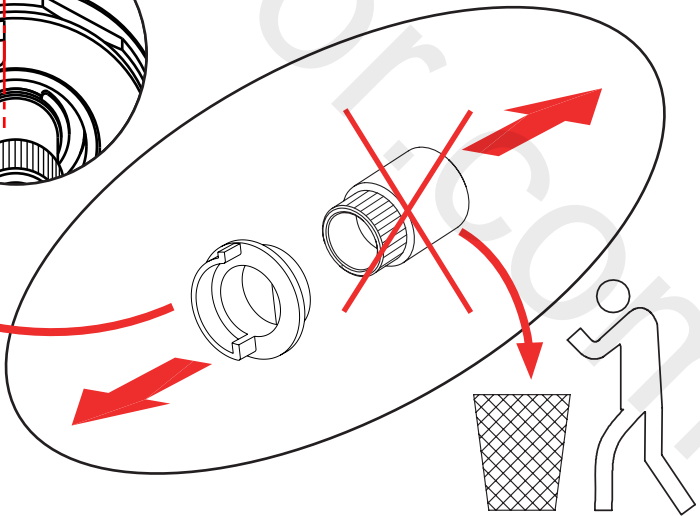
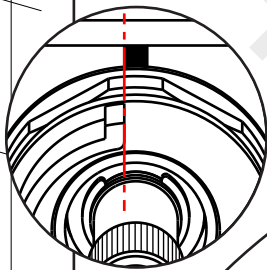
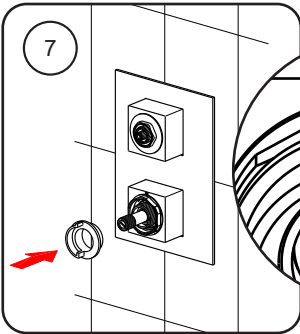
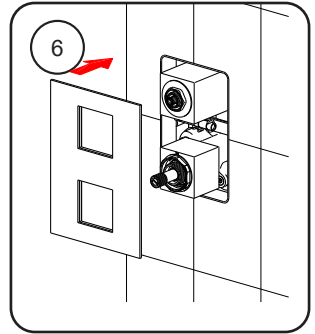
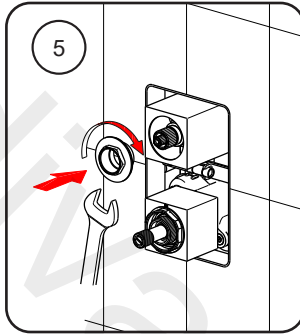
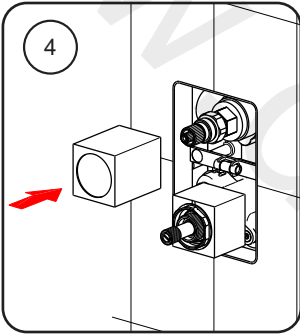
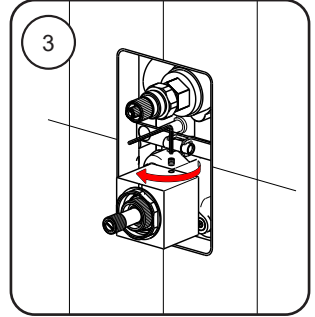
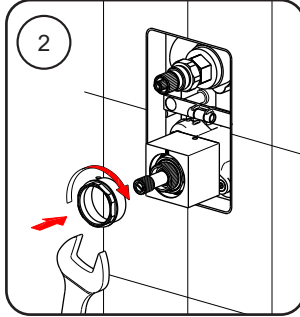
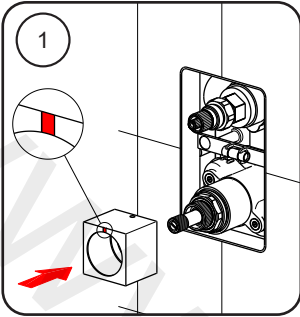
- 100124173
- 100212603
- 100281099
- 100281150
- 100327528
- Brushed ○ 100280797
- Brushed ● 100280870
- Brushed ○ 100327526

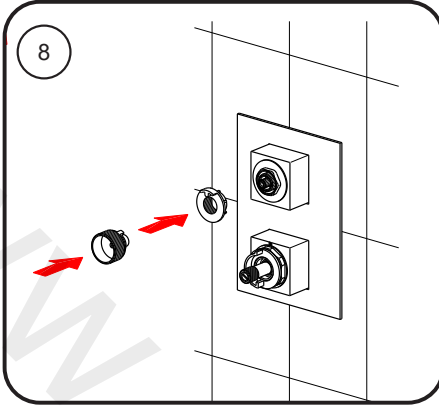


CHELSEA

- 100156032

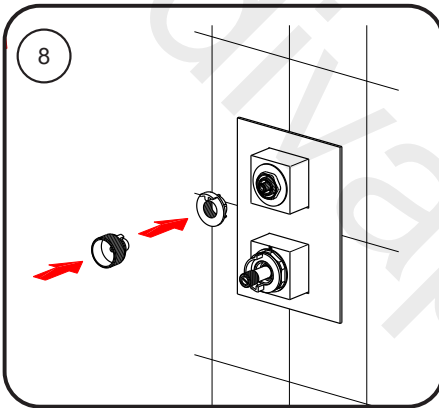
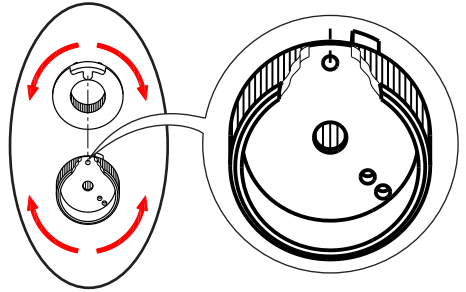






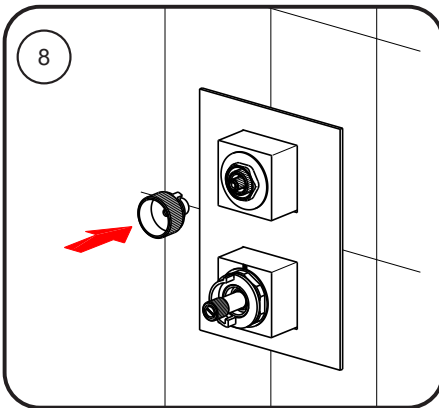
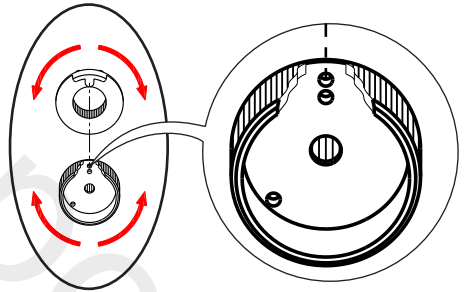
A

< 1 >



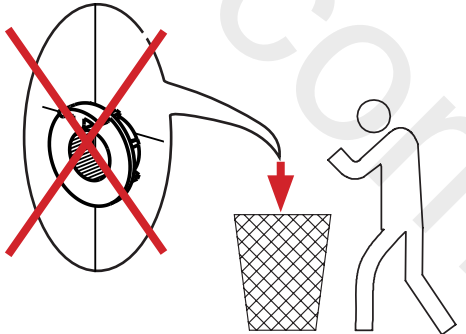
B

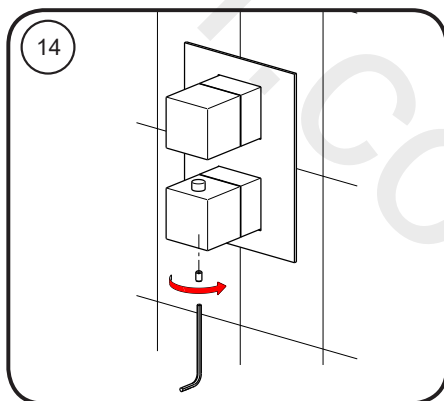
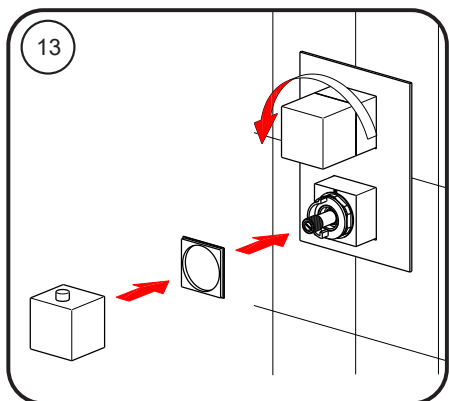
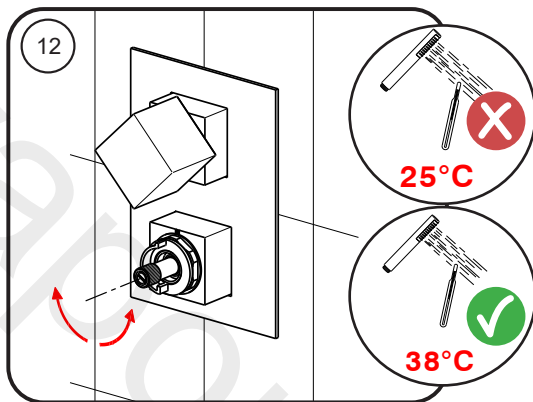
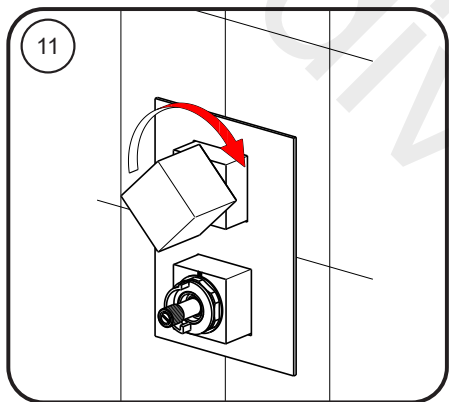
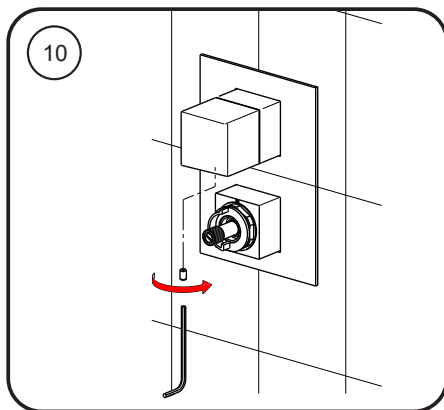
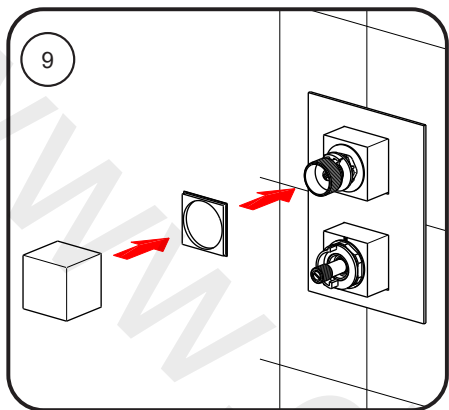
< 2 >

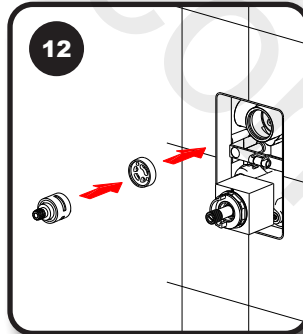
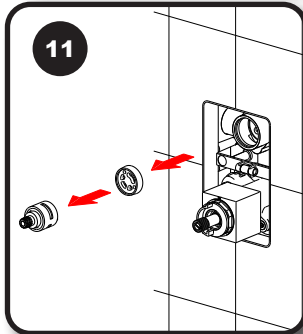
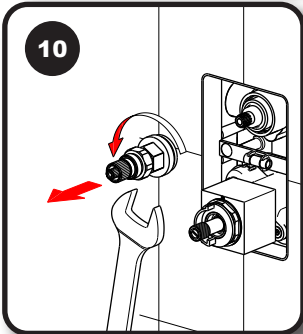
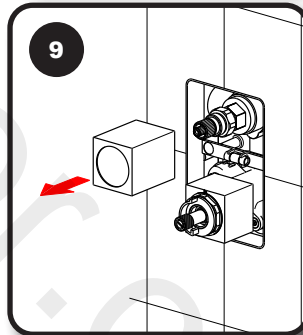
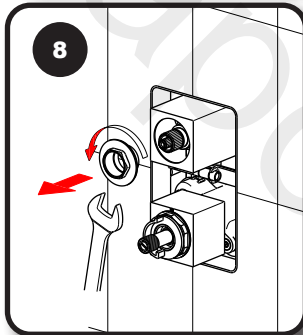
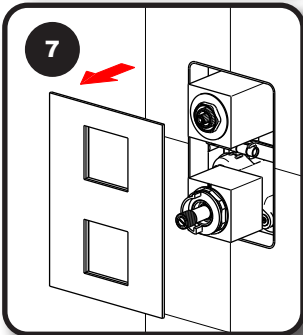
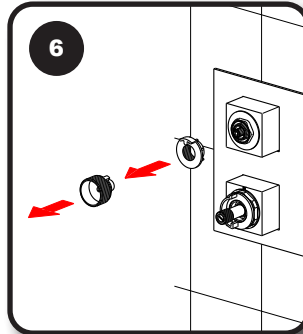
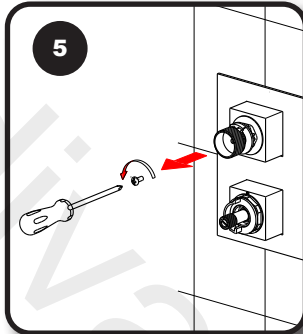
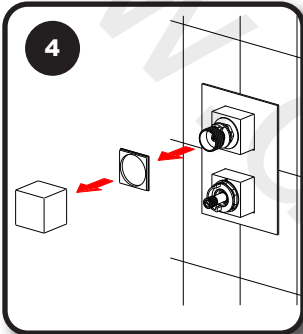
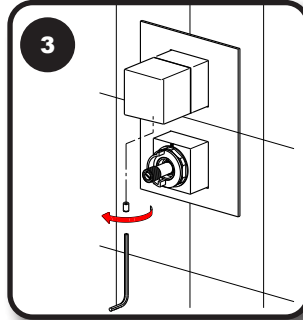
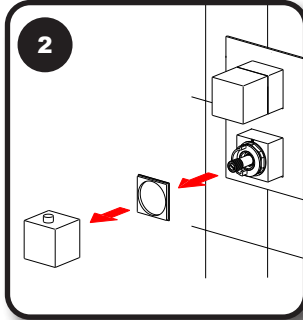
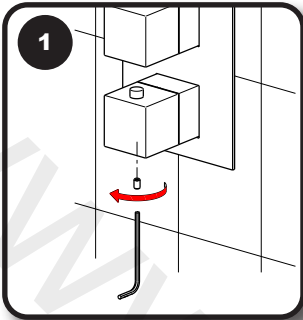


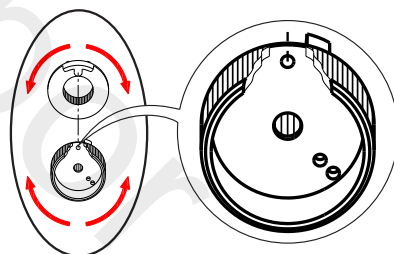
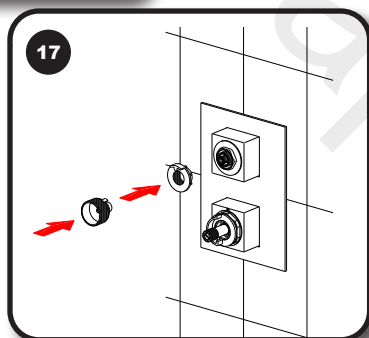
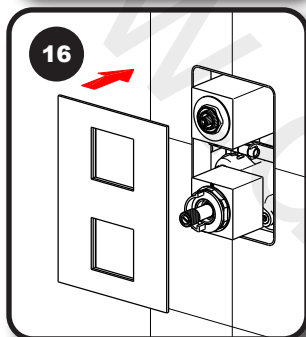
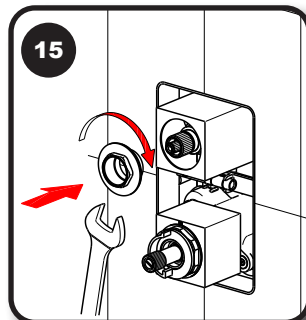
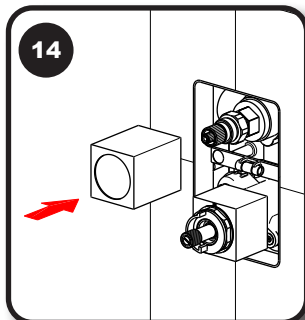
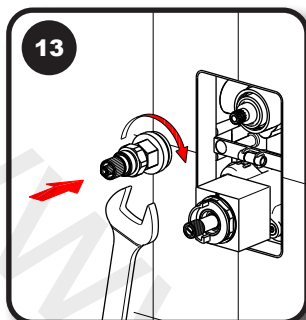
C

< 3 >



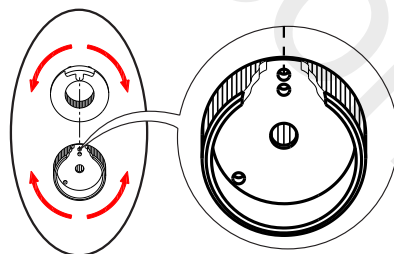
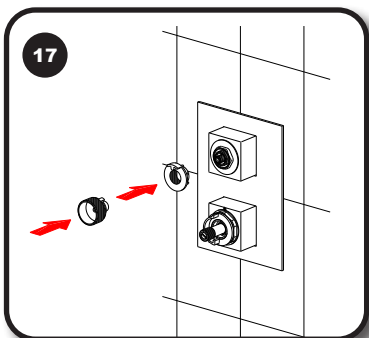






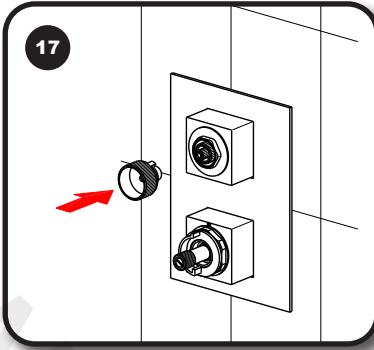
A

< 1 >



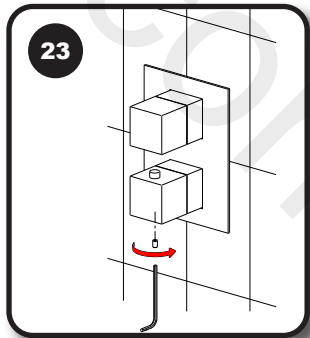
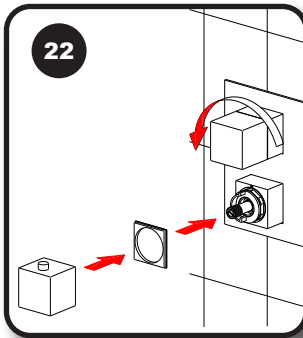
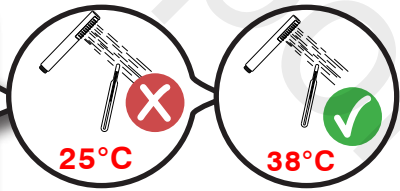
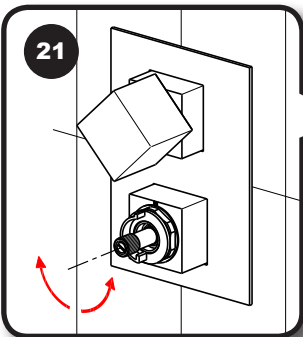
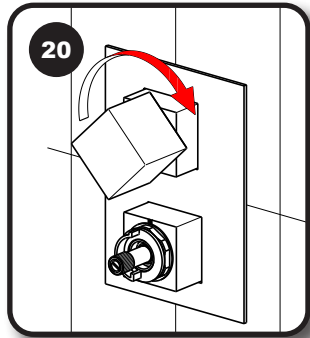
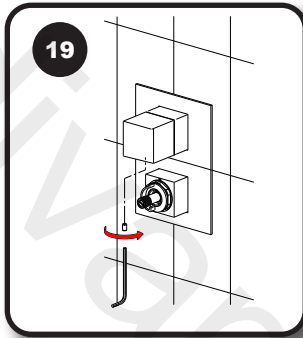
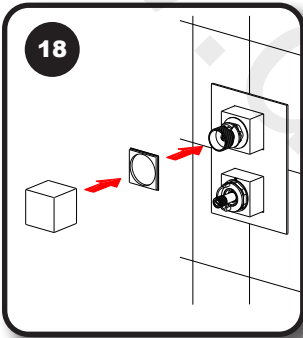
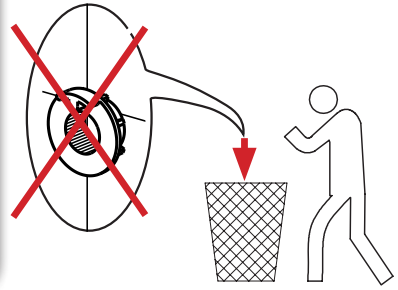
B

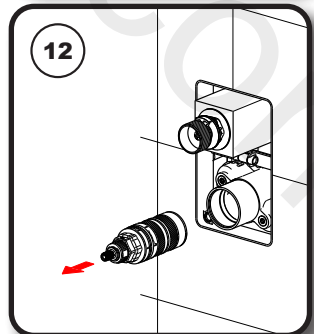
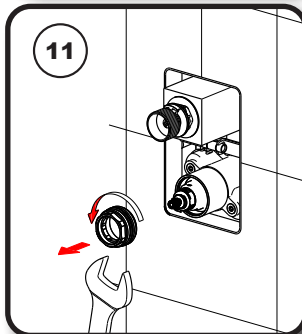
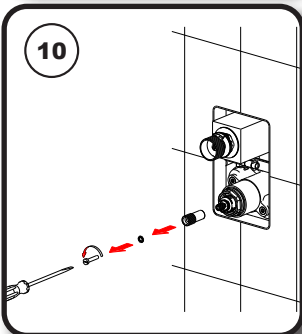
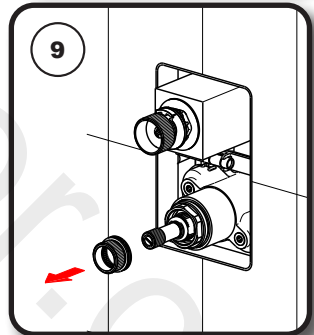
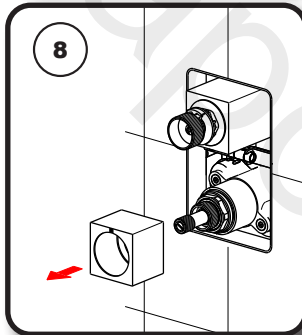
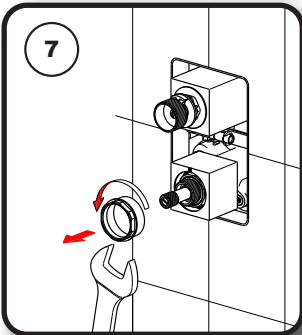
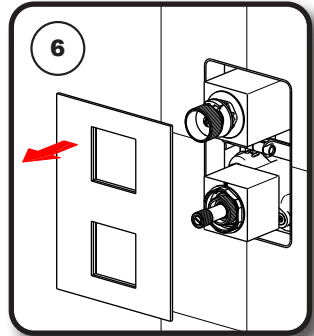
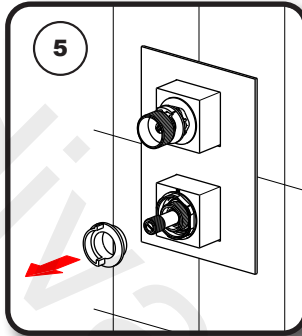
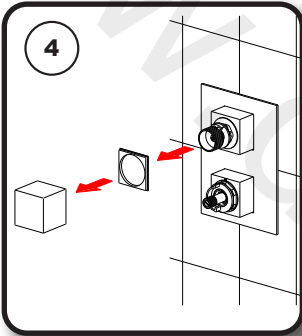
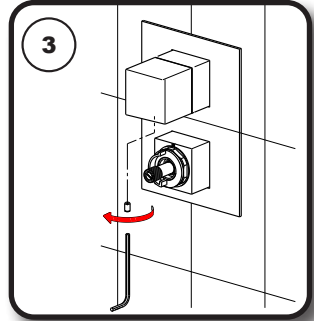
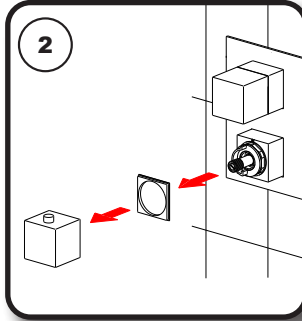
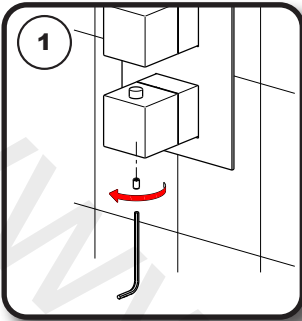
< 2 >

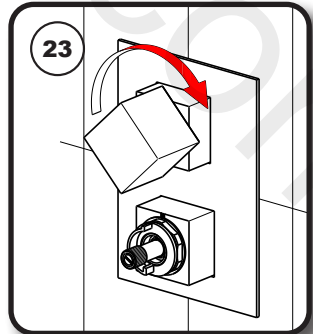
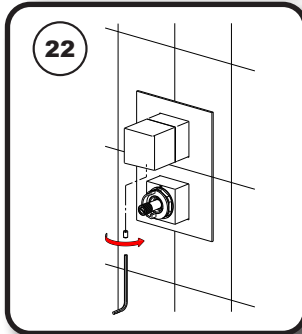
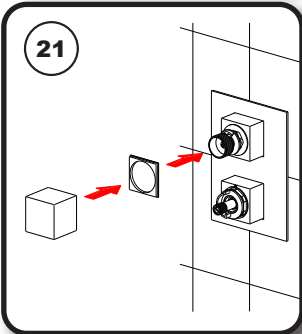
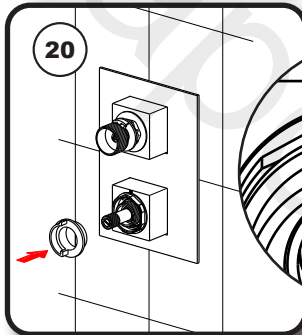
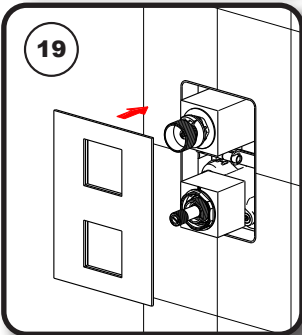
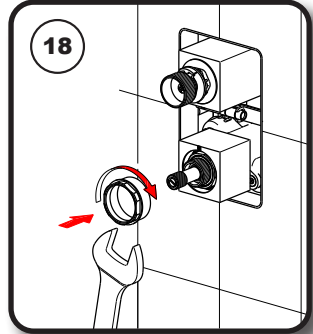
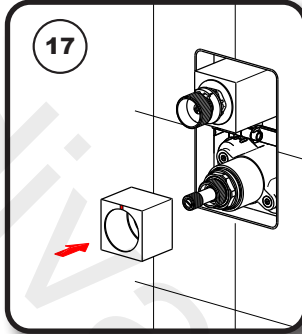
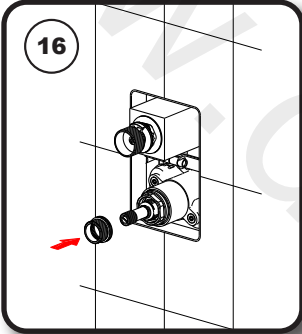
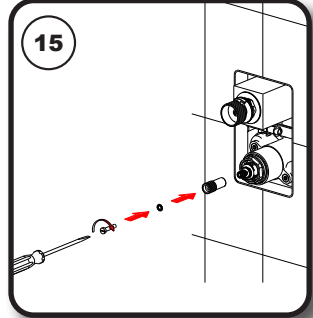
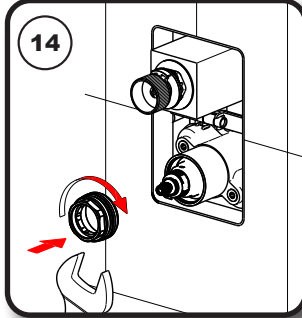
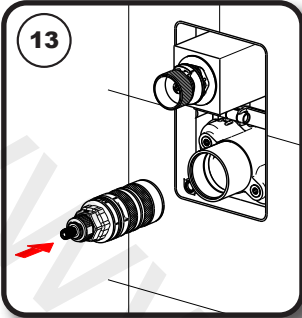


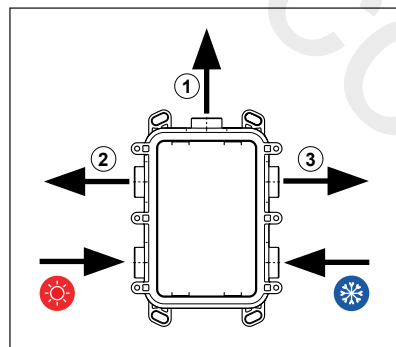
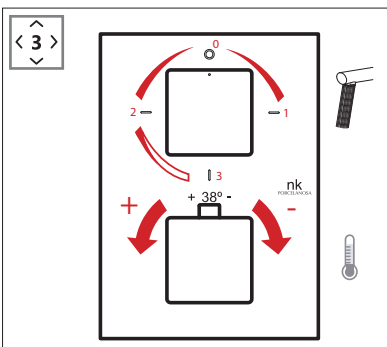
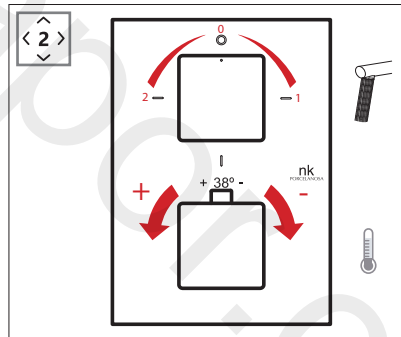
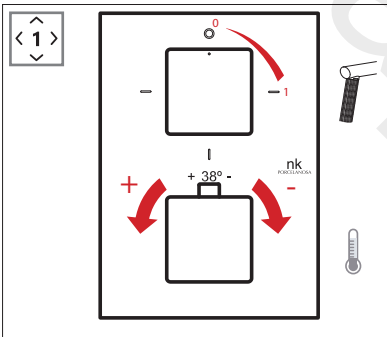
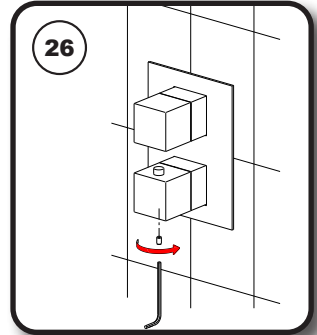
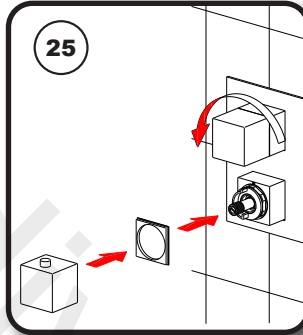
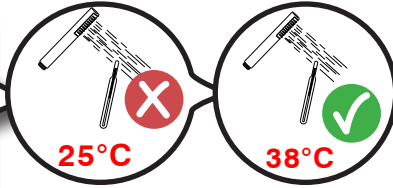
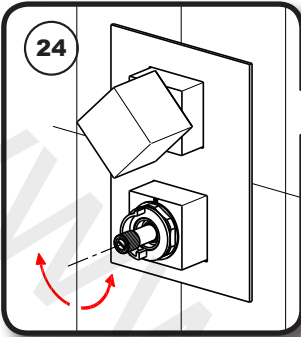
C

< 3 >

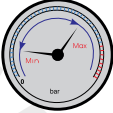








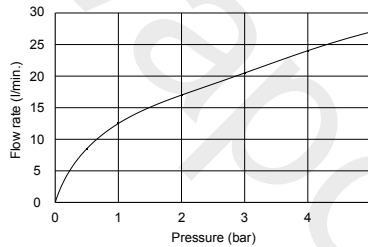




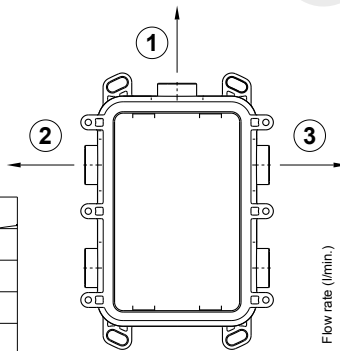
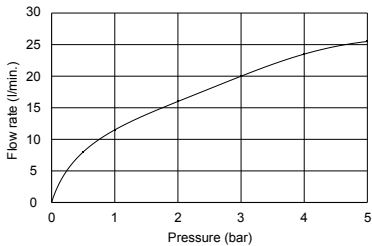
**NEW**

	Min.-Max. 0,5 - 5 bar		Mixing system		
		Max. 70°C	Material		Brass
	Max. 5 bar		3 bar	Coating	chrome nickel
					≥ 0,25 µm ≥ 10 µm

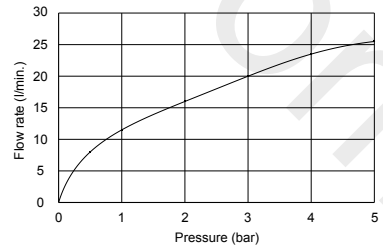
Pressure (bar)	Flow rate (l/min.)
0.5	8.5
1	12.5
2	17
3	21
4	23
5	27



Pressure (bar)	Flow rate (l/min.)
0.5	8
1	11.5
2	16
3	20
4	22.5
5	25.5



Pressure (bar)	Flow rate (l/min.)
0.5	8
1	11.5
2	16
3	20
4	22.5
5	25.5





www.diveappor.com



LOUNGE

● 100140107_N19999375



FORMA

● 100140128_N19999484



NK CONCEPT

● 100145072_N19999425



CHELSEA

● 100156032_N19999364



SQUARE

● 100124172_N19999569



URBAN

● 100124174_N19999564
● 100210638_N19999065



RONDO

● 100124173_N19999556
● 100212603_N185709914



MOOD

● 100161412_N19999330

noken
PORCELANOSA BATHROOMS

SMART BOX
TERMO

Carretera CV-20 km.2 · 12540 Vila-real · Castellón · Spain
Tel: +34 964 50 64 50 - Fax: +34 964 50 67 93
e-mail: noken@noken.com · www.noken.com



TERMO

Antes de la instalación y la puesta en funcionamiento

¡Cuidado! Los tubos de alimentación tienen que ser enjuagados escrupulosamente antes de instalar el dispositivo de manera que no haya virutas, residuos de soldadura o cáñamo u otras impurezas al interior de los tubos. A través de los tubos no perfectamente enjuagados o de la red hídrica general pueden entrar en el dispositivo unos cuerpos extraños que pueden dañar guarniciones/juntas tóricas.

Les recomendamos por lo tanto que instalen los filtros en la planta general también.

Recomendamos instalar válvulas reductoras de presión para presiones superiores a las indicadas en la tabla de datos técnicos.

-El respeto de dichas indicaciones, mantiene los derechos de garantía, garantiza las características declaradas de los productos y asegura su perfecta fiabilidad.

Before installation and setting to work.

Attention! The feeding pipes have to be rinsed carefully before the installation of the device so that there won't remain shavings, sealing or hemp residues, or other impurities inside the pipes. Through pipes not thoroughly rinsed or through the general water network, in the device foreign bodies can enter that could damage gaskets /o-ring.

So filters should be installed also on the general system.

We recommend the installation of pressure reducing valves for pressures superior than those indicated in the technical data table.

-Respecting this indications, will maintain the warranty rights, ensures the declared properties of the products and warrant the complete reliability.

Avant l'installation et la mise en fonction.

Attention! Les tuyaux d'alimentation doivent être rincés avec soin avant l'installation du dispositif, de sorte que ils ne restent pas de copeaux, des restes de soudage ou de chanvre, ou d'autres impuretés à l'intérieur des tuyaux. A travers les conduites non rincées à fond ou à travers le réseau hydrique général, dans le dispositif peuvent entrer des corps étrangers à même de détériorer les gaines/o-ring.

On recommande ainsi d'installer des filtres également sur le système général.

Nous recommandons d'installer les réducteurs de pression pour des pressions supérieures à indiquées dans le tableau des données techniques.

-Le respect de ces indications, assure les droits de garantie, garantit les caractéristiques déclarées des produits et il en assure la complète fiabilité.

Antes da instalação e colocada em funcionamento

Cuidado! Os tubos de alimentação têm que ser cuidadosamente lavados, antes de se instalar o dispositivo de maneira a que não haja chips, resíduos de solda ou canhamo ou outras impurezas no interior dos tubos. Através dos tubos que não estejam cuidadosamente lavados ou através da rede de água geral, podem entrar no dispositivo corpos estranhos que podem danificar as juntas /o-rings.

Recomendamos por isso que se instalem filtros também na planta geral

Recomendamos a instalação de válvulas reductoras de pressão acima indicados nas pressões da tabela de dados técnicos

Com o cumprimento destas instruções, a garantia permanece, garante as características declaradas dos produtos e garante sua perfeita confiança





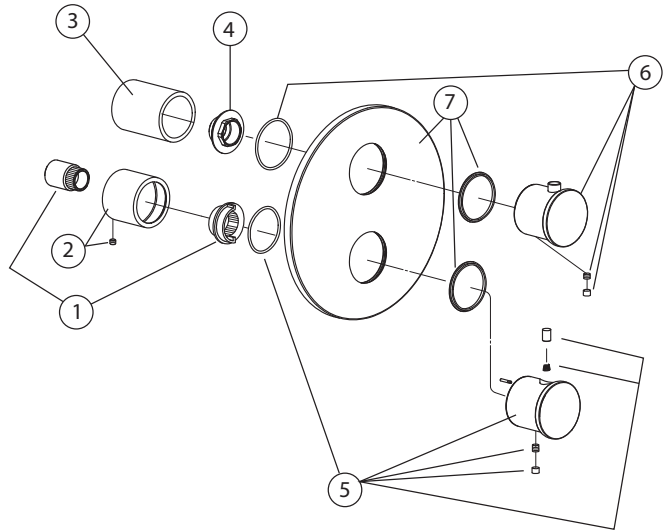
- Lea atentamente estas instrucciones antes de comenzar la instalación.
 - Compruebe el producto por si faltasen piezas o estuviesen dañadas.
 - Cualquier alteración que se realice a la grifería invalidará la garantía.
 - Le recomendamos la instalación por parte de personal cualificado.
 - En nuevas construcciones se deben llenar los sifones de inodoros, lavabos y bidés de agua para evitar que la grifería se oxide por efecto de la subida de gases corrosivos. Se recomienda que el espacio esté muy aireado.
 - Purgar las tuberías antes de la instalación para arrastrar la suciedad.
 - Gracias a un cuidado periódico, se pueden evitar calcificaciones.
 - Residuos de productos de aseo como jabón líquido, champú y gel de ducha, también pueden dañar los materiales.
-
- Please read these instructions carefully before starting installation and retain it for future reference. Please leave this instructions with the end user.
 - Remove all packaging and check the product for missing parts and damages before starting the installation.
 - Any alterations made to this product and its fittings may infringe the water regulations and will invalidate the guarantee.
 - We strongly recommend the use of a qualified and registered plumber.
 - In new buildings it is recommended to water fill the traps to ensure toxic gases do not corrode the surface of the taps. It is recommended that the room is well ventilated.
 - Thoroughly flush through all pipe work prior to the installation of terminal appliances, e.g. Shower heads, taps, inlet valves, etc.
 - Periodic cleaning and maintenance should be use to avoid the build up of damaging limestone deposits.
 - Bathroom beauty products such as liquid soap, shampoo or shower gels may damage some materials.
-
- Lire attentivement cette notice avant de commencer l'installation.
 - Vérifier si certaines pièces sont manquantes ou abîmées.
 - Toute altération qui sera effectuée à la robinetterie rendra invalide la garantie.
 - Nous recommandons fortement l'installation du produit par du personnel qualifié.
 - Dans le cas de constructions neuves, il faut mettre en eau les WC, lavabos et bidets pour éviter que la robinetterie s'oxyde à cause de gaz corrosif. Nous recommandons de laisser un espace très aéré.
 - Purger les tuyauteries avant l'installation.
 - Grâce à un entretien régulier, on peut éviter la formation de calcaire.
 - Des résidus de produits de toilettes comme le savon liquide, le shampoing et le gel de douche peuvent également endommager les produits.
-
- Leia atentamente estas instruções antes de iniciar a instalação.
 - Verifique o produto se ele estiver danificado ou se faltarem peças.
 - Qualquer alteração que seja feita à torneira invalidará a garantia.
 - Recomendamos a instalação por pessoal qualificado.
 - Em novas construções devem –se colocar , sifões sanitários, pias e bidés , torneiras de água para prevenir a ferrugem devido ao aumento de gases corrosivos. Recomenda-se que o espaço seja muito arejado.
 - Lavar os tubos antes da instalação para arrastar a sujidade.
 - Com cuidados regulares, pode-se impedir a calcificação.
 - Produtos de higiene pessoal, como sabonete líquido , champô e gel de banho, também pode danificar materiais.



MOOD

● 100161412 - N199999330

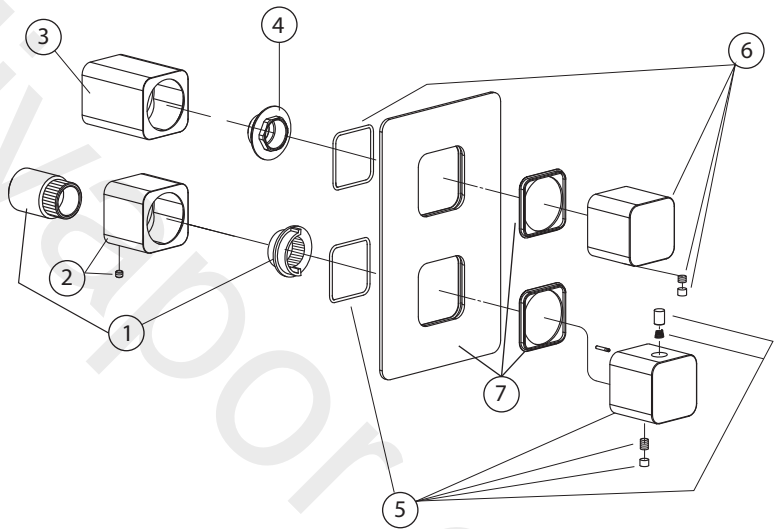
1	100144319_N299999059
2	100112836_N201380016
3	100144334_N299999054
4	100144333_N299999066
5	100170336_N282000094
6	100170345_N282000093
7	100144341_N299999083



LOUNGE

● 100140107 - N199999375

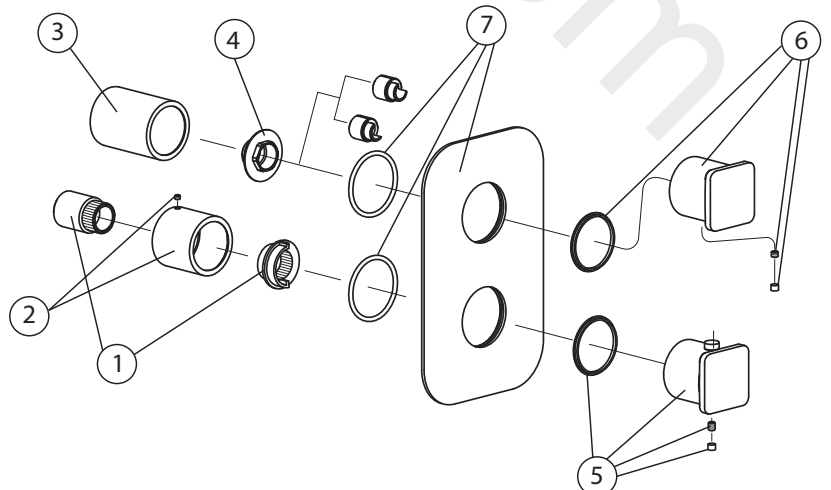
1	100144319_N299999059
2	100170346_N299998864
3	100170327_N299998865
4	100144333_N299999066
5	100170326_N299998867
6	100170337_N299998873
7	100170338_N299998866



FORMA

● 100140128 - N199999484

1	100144319_N299999059
2	100112836_N201380016
3	100144334_N299999054
4	100144333_N299999066
5	100155261_N476000034
6	100155256_N476000036
7	100155254_N476000035

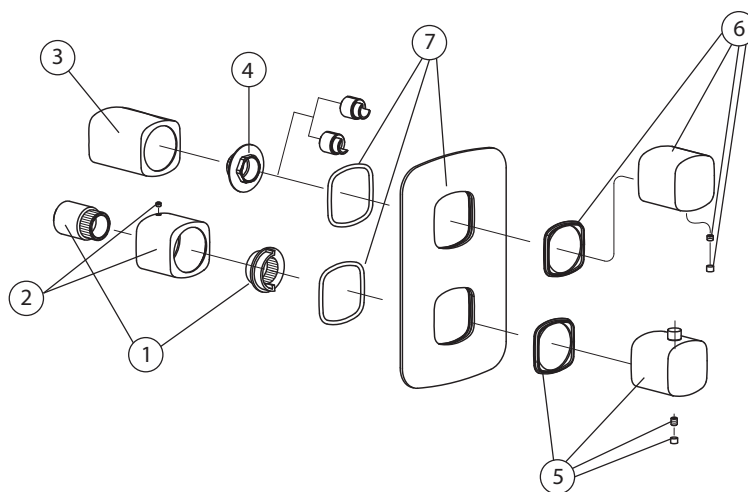




NK CONCEPT

● 100145072 - N199999425

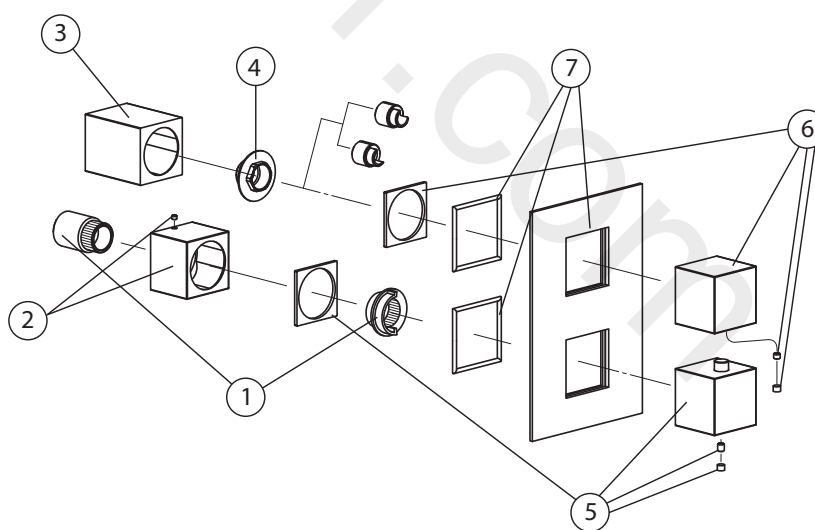
1	100144319_N299999059
2	100155239_N299998943
3	100155262_N299998937
4	100144333_N299999066
5	100155245_N299998940
6	100155271_N299998938
7	100155270_N299998939



SQUARE

● 100124172 - N199999569

1	100144319_N299999059
2	100108399_N207000045
3	100144343_N299999088
4	100144333_N299999066
5	100144342_N299999080
6	100144352_N299999071
7	100144335_N299999051

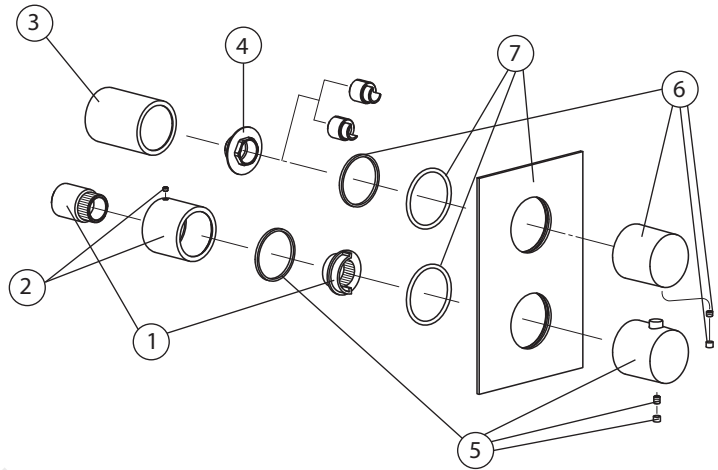




URBAN

- 100124174 - N199999564
- 100210638 - N199999065

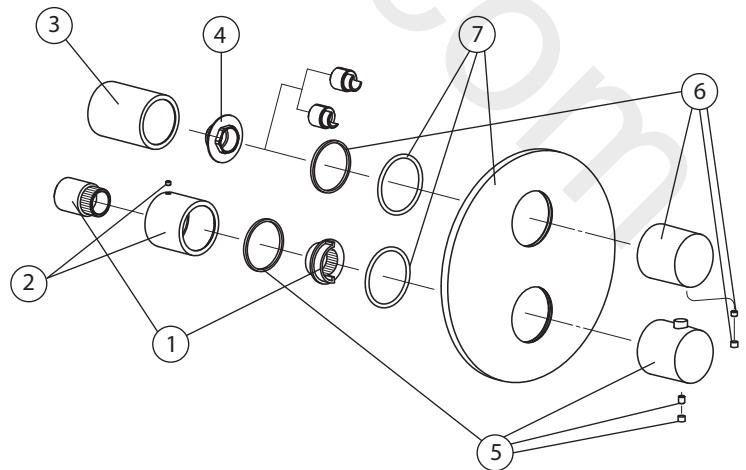
1	100144319_N299999059
2	○ 100112836_N201380016
2	● 100148125_N299999105
3	○ 100144334_N299999054
3	● 100219064_N299998584
4	100144333_N299999066
5	○ 100144350_N299999077
5	● 100219034_N299998583
6	○ 100144351_N299999055
6	● 100219063_N299998581
7	○ 100144360_N299999065
7	● 100219026_N299999585



RONDO

- 100124173 - N199999556
- 100212603 - N185709914

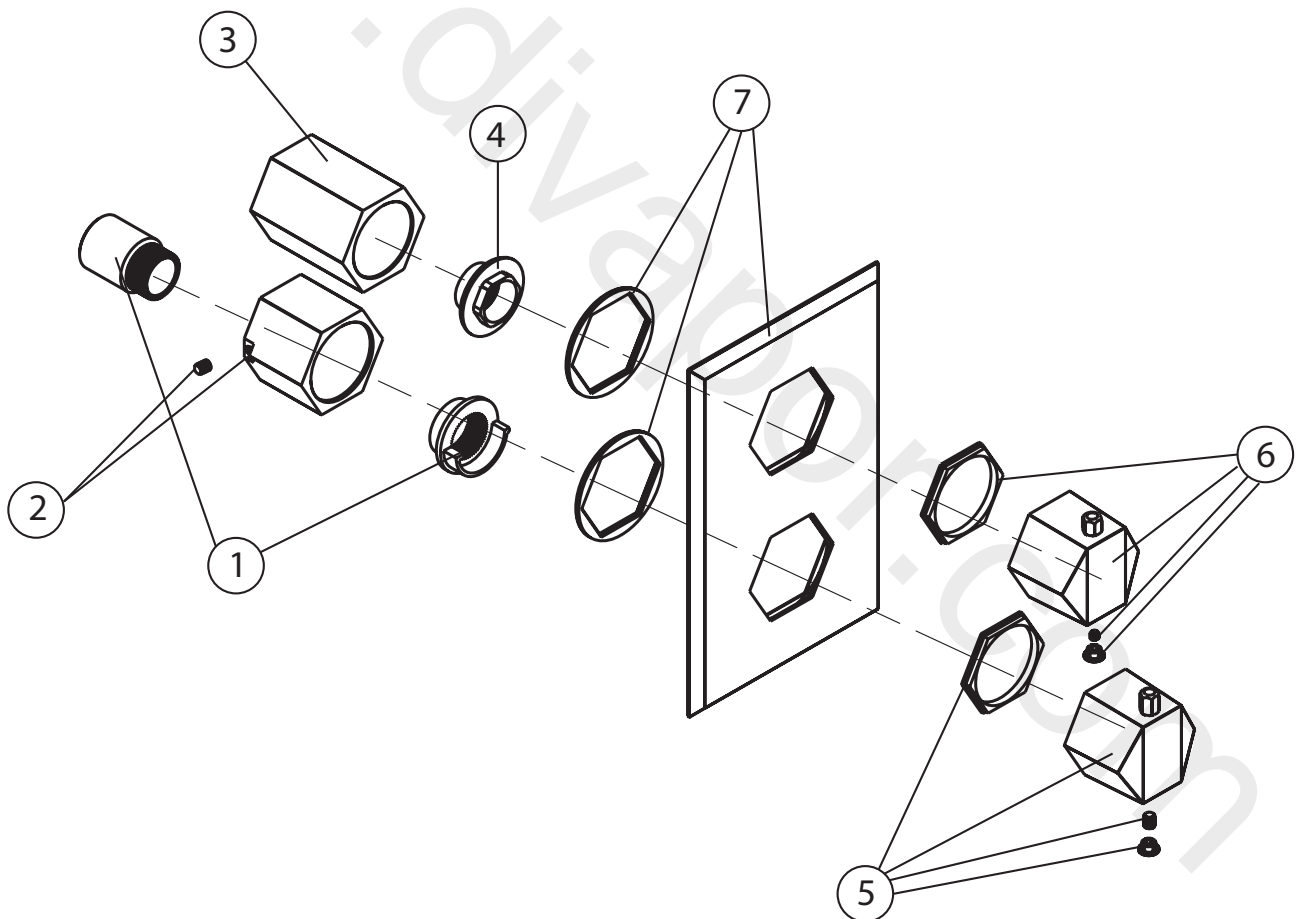
1	100144319_N299999059
2	○ 100112836_N201380016
2	● 100148125_N299999105
3	○ 100144334_N299999054
3	● 100219064_N299998584
4	100144333_N299999066
5	○ 100144350_N299999077
5	● 100219034_N299998583
6	○ 100144351_N299999055
6	● 100219063_N299998581
7	○ 100144341_N299999083
7	● 100219035_N299998582

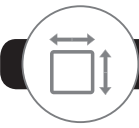


**CHELSEA**

● 100156032_N199999364

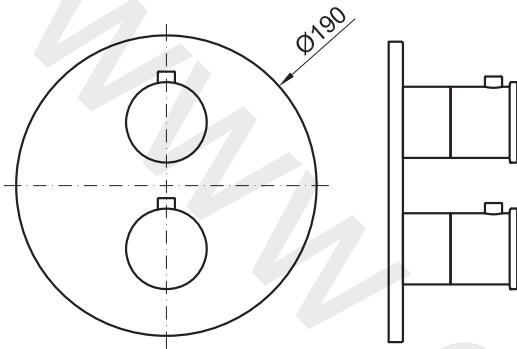
1	100144319_N299999059
2	100159804_N100000014
3	100159783_N100000013
4	100144333_N299999066
5	100159817_N100000015
6	100159784_N100000016
7	100159796_N100000012





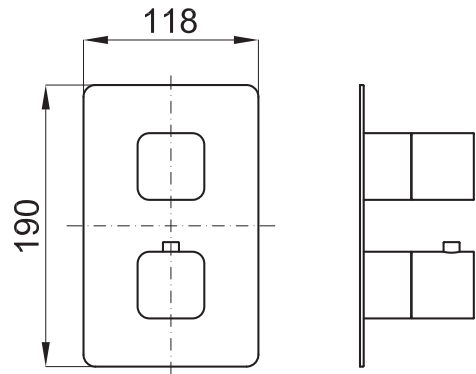
MOOD

● 100161412 - N199999330



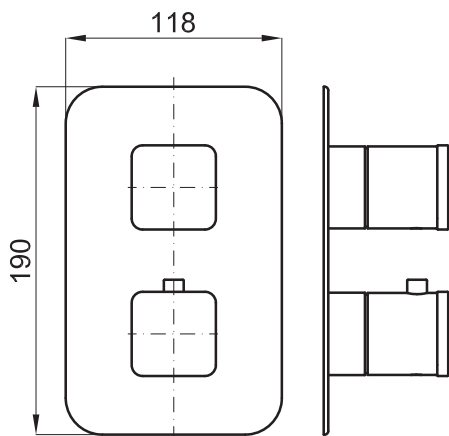
LOUNGE

● 100140107 - N199999375



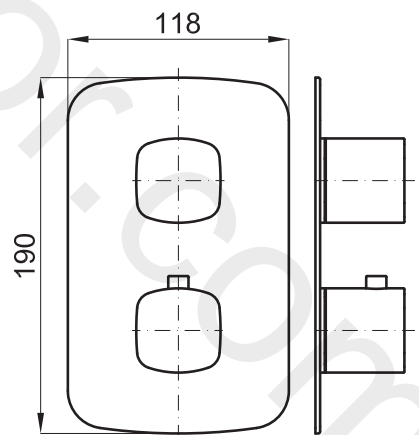
FORMA

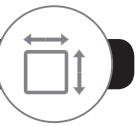
● 100140128 - N199999484



NK CONCEPT

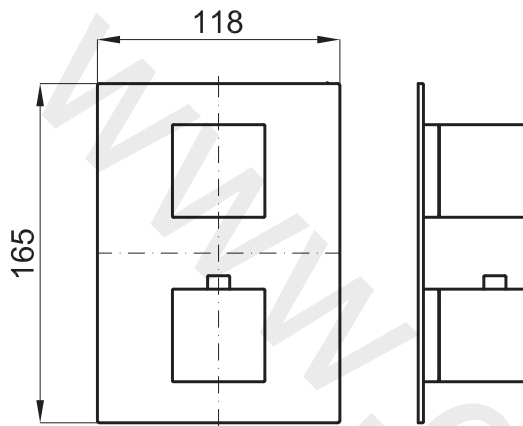
● 100145072 - N199999425





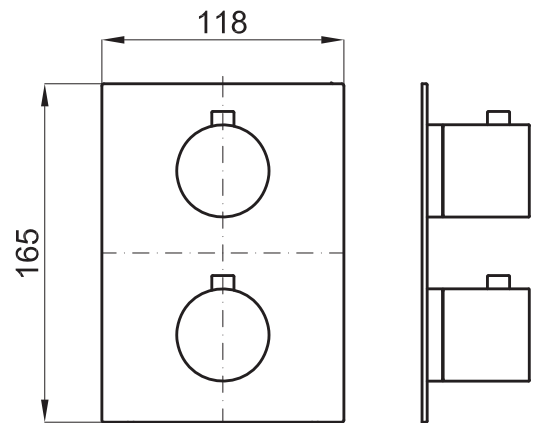
SQUARE

● 100124172 - N199999569



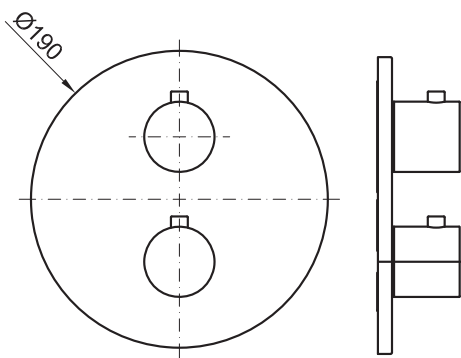
URBAN

● 100124174 - N199999564
100210638 - N199999065



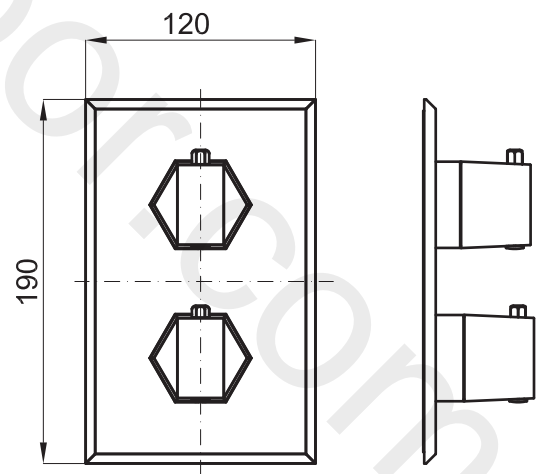
RONDO

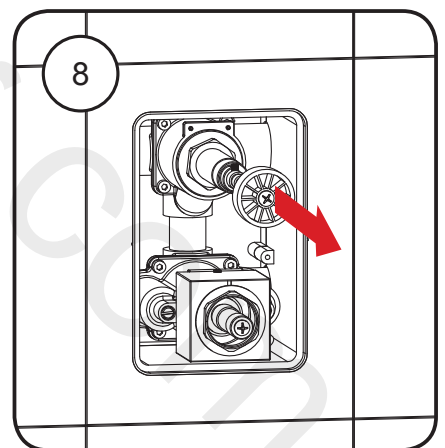
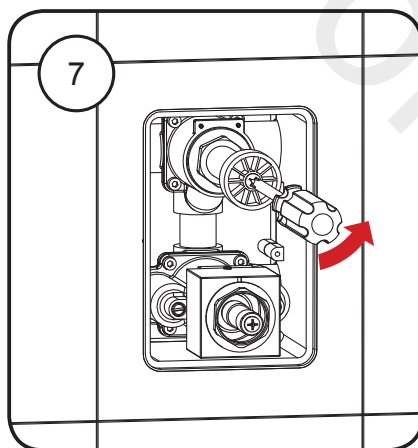
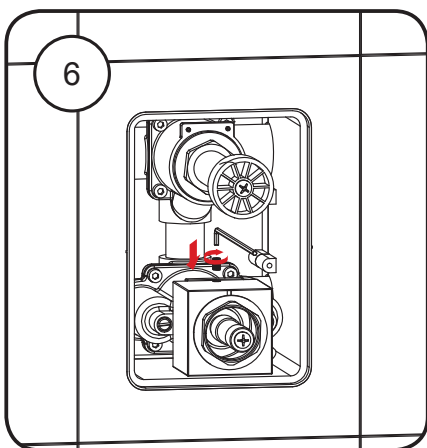
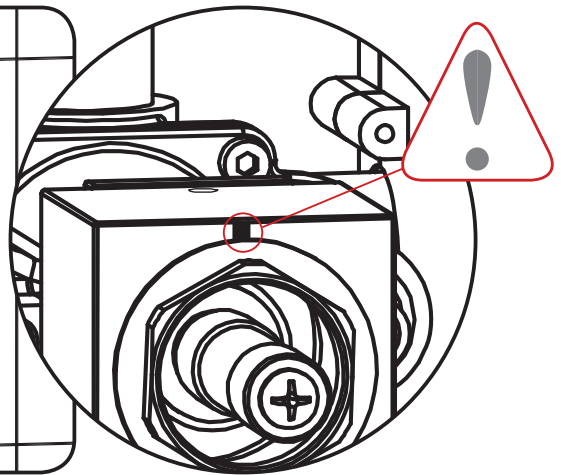
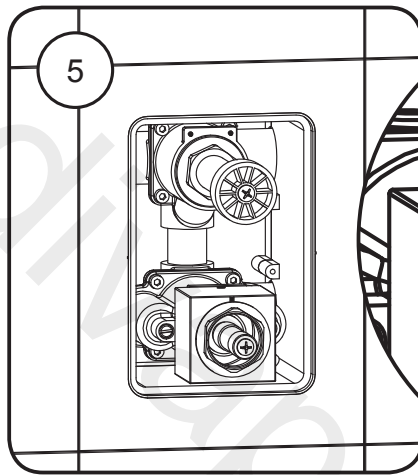
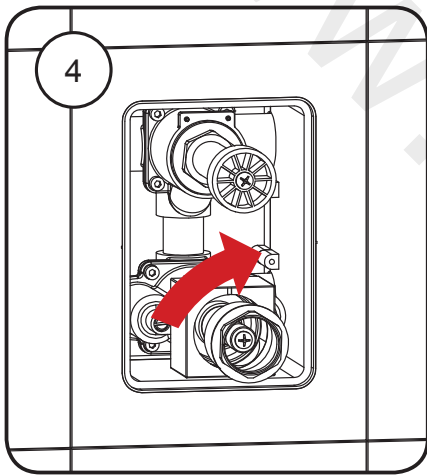
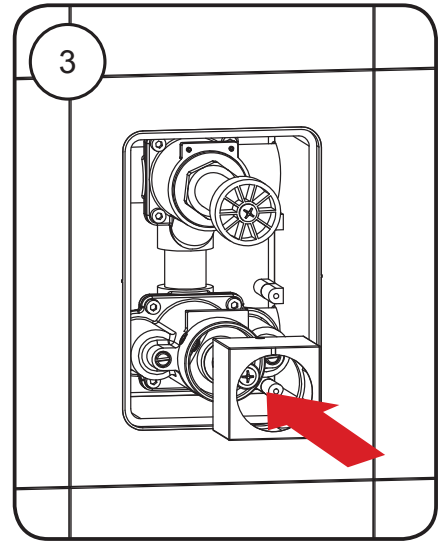
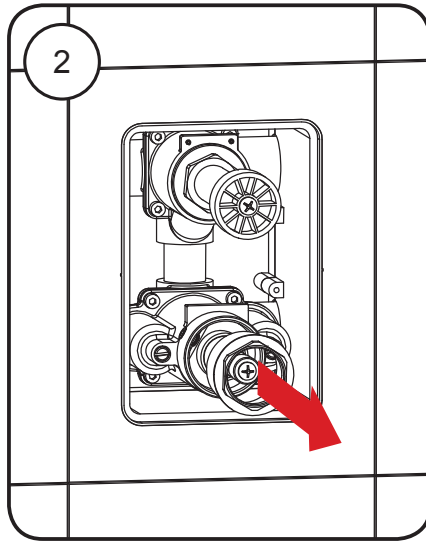
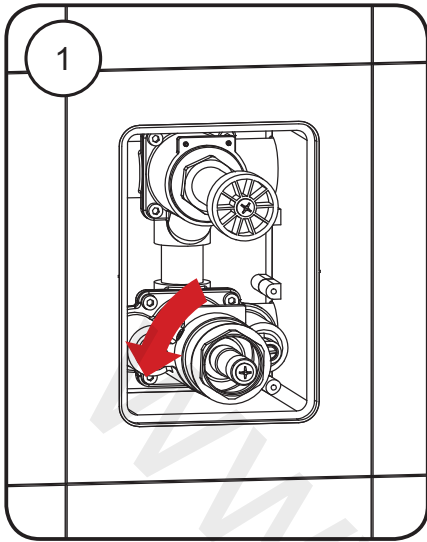
● 100124173 - N199999556
100212603 - N185709914

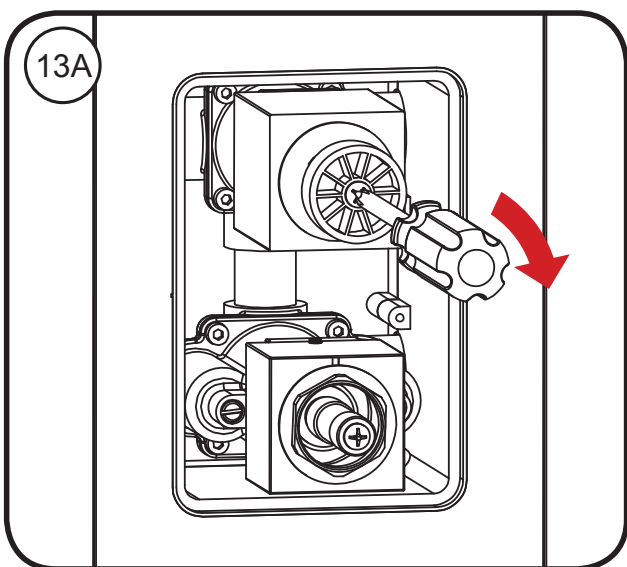
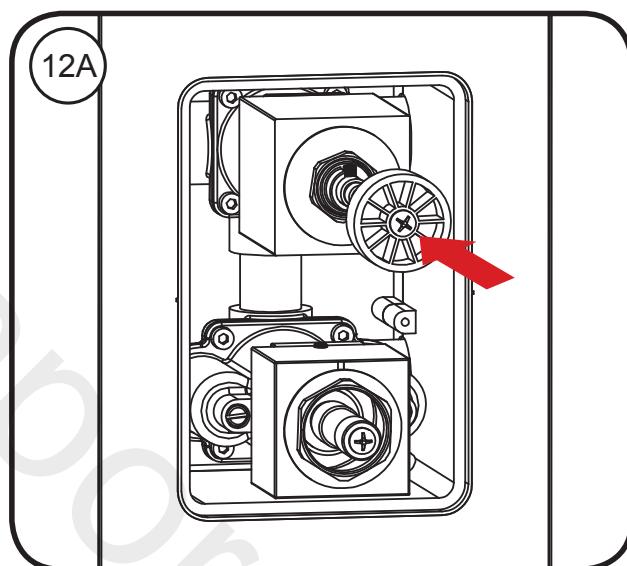
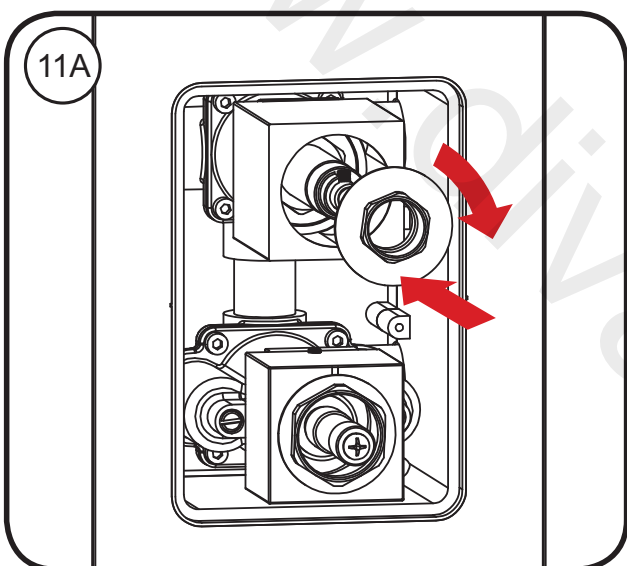
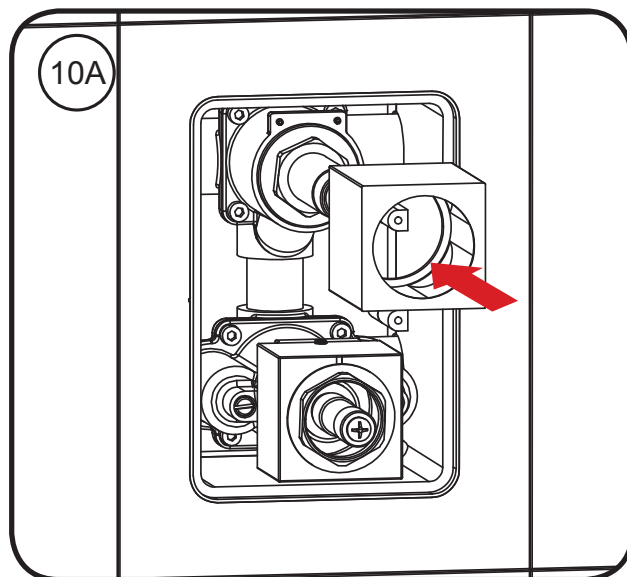
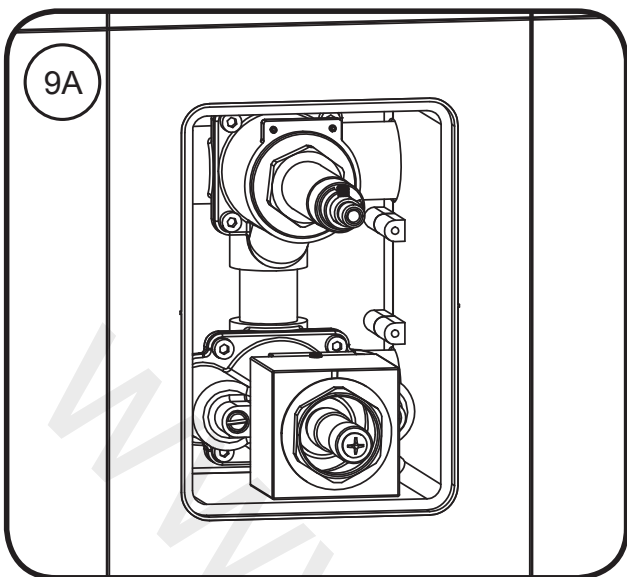


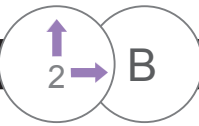
CHELSEA

● 100156032 - N199999364

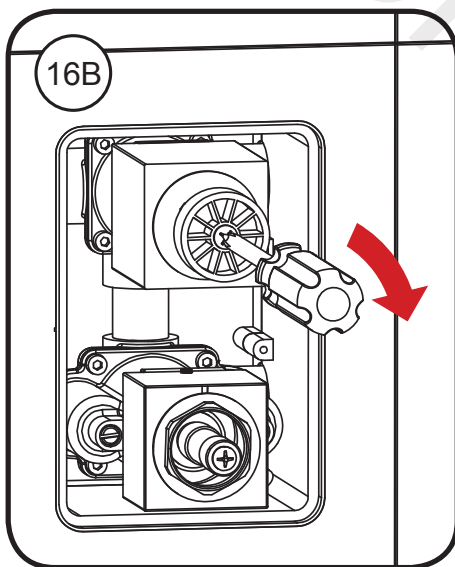
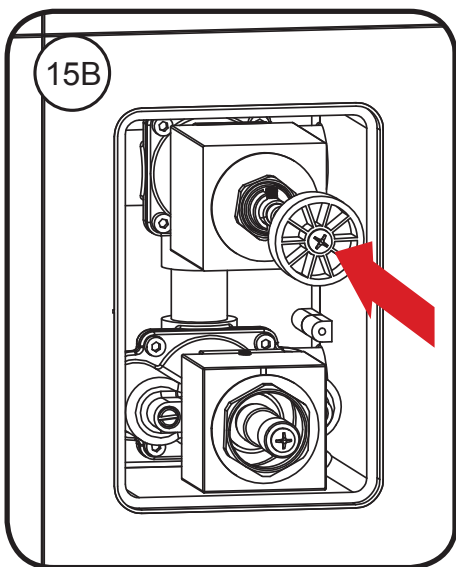
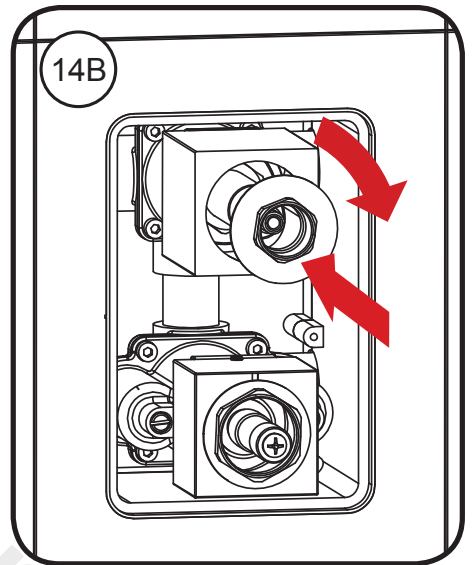
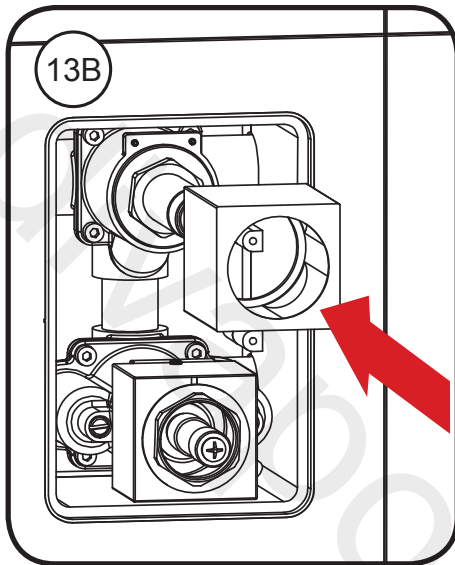
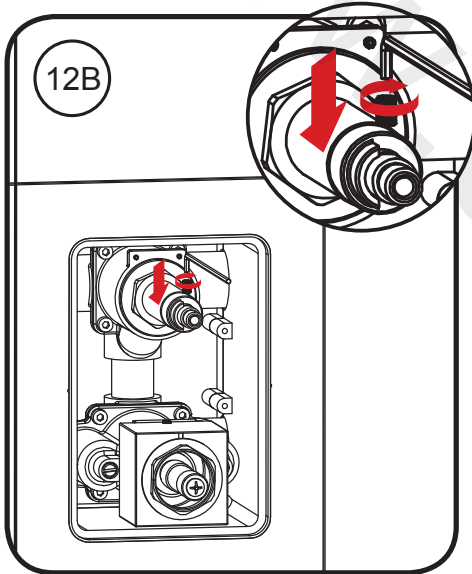
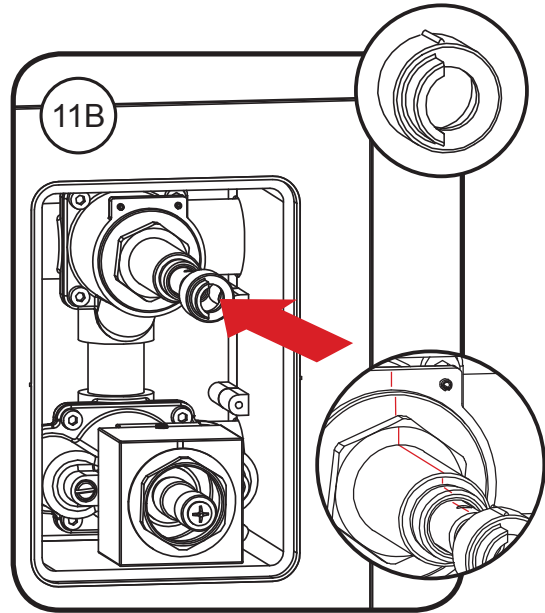
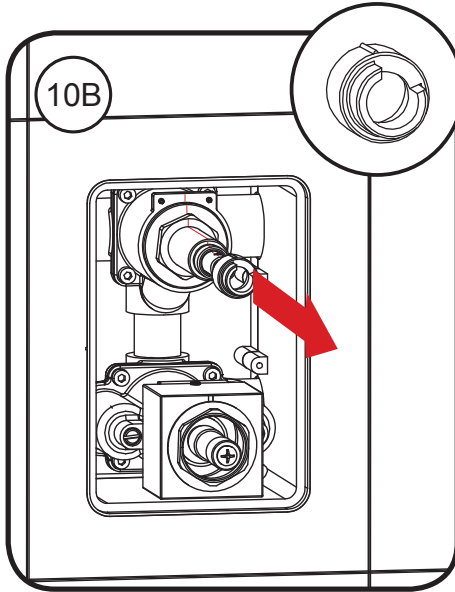
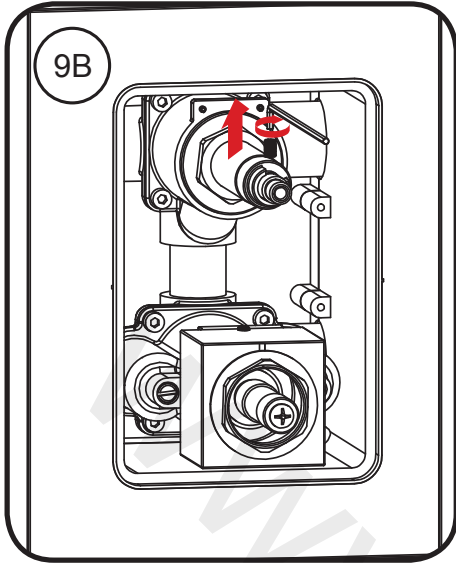


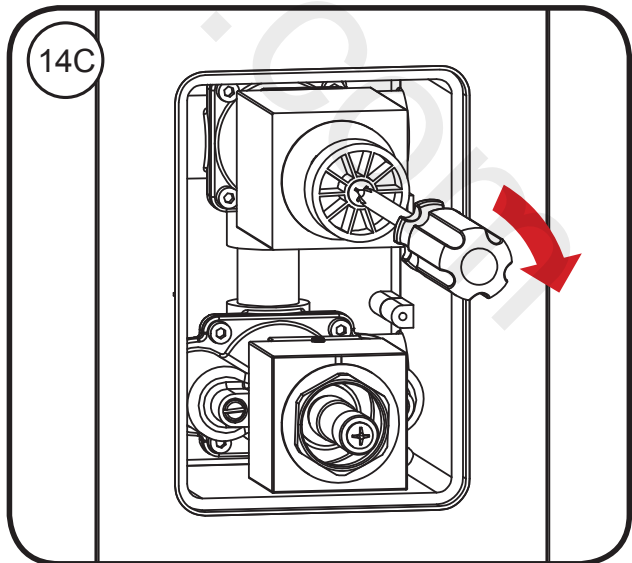
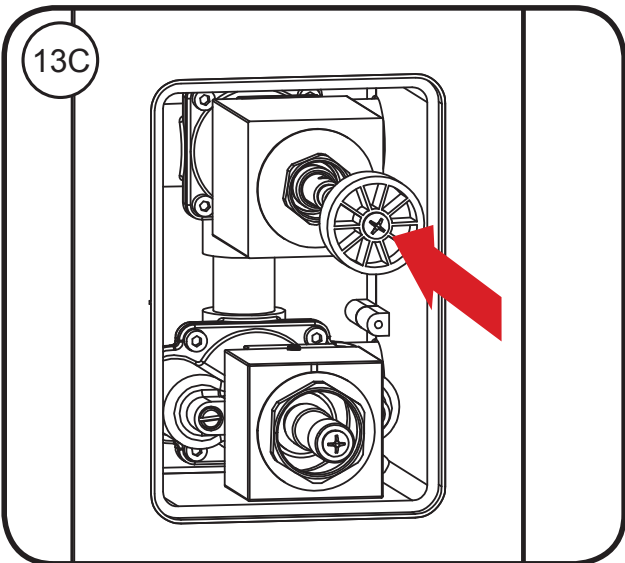
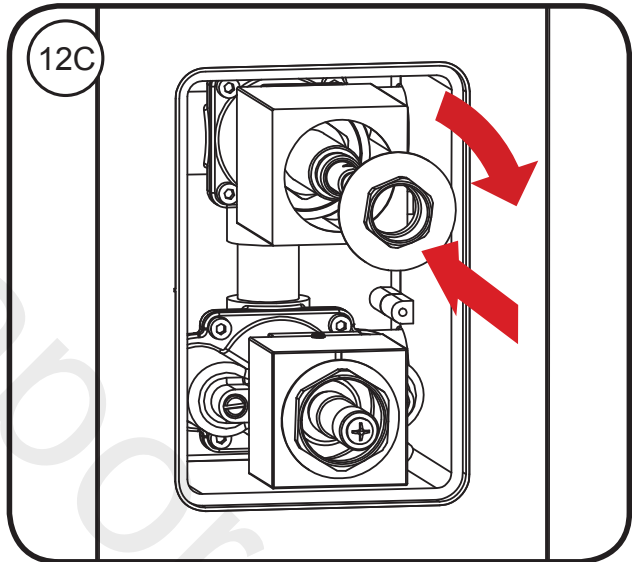
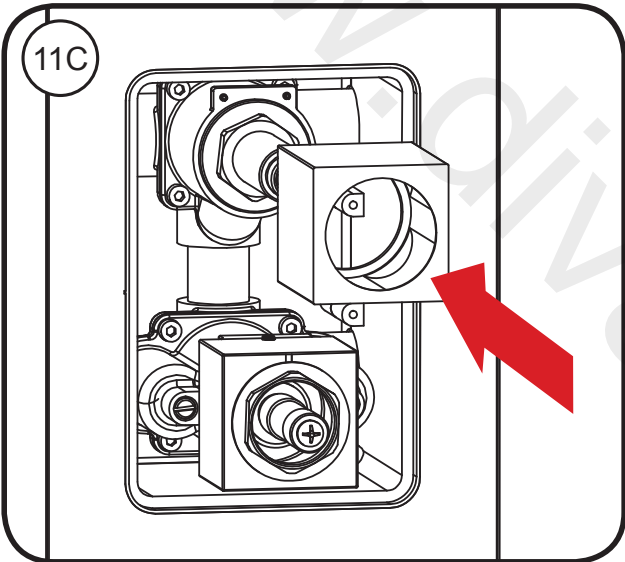
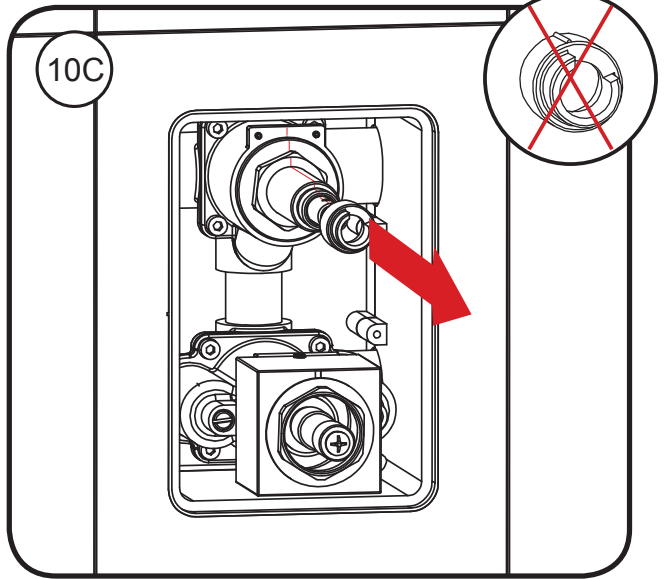
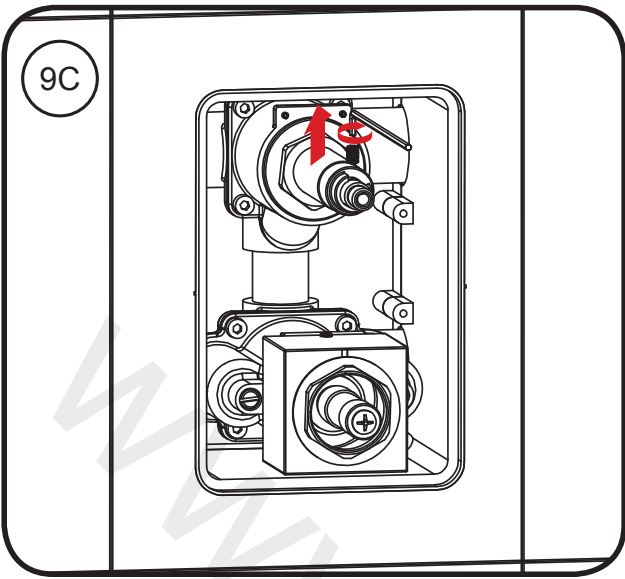


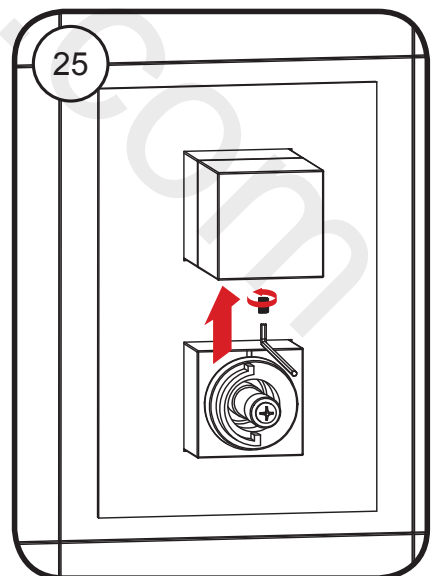
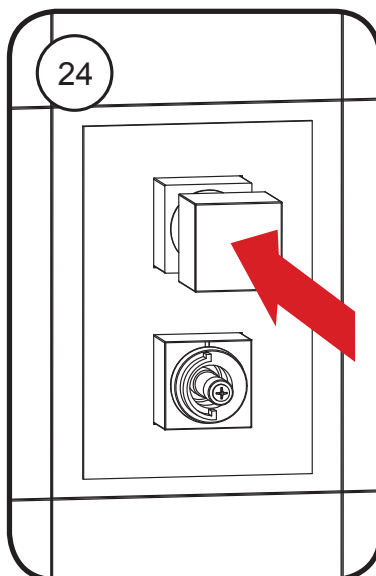
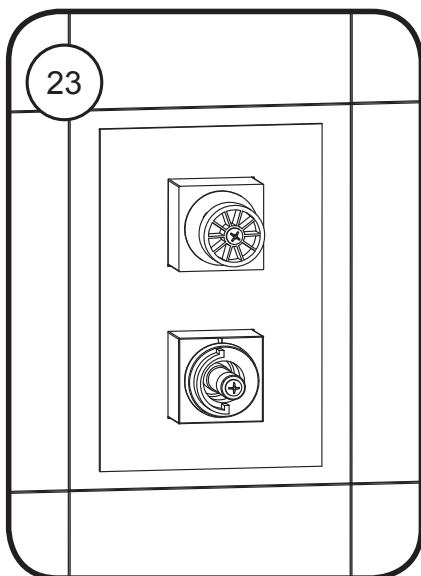
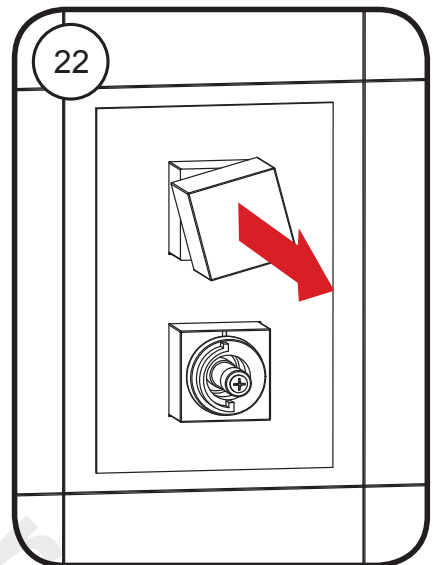
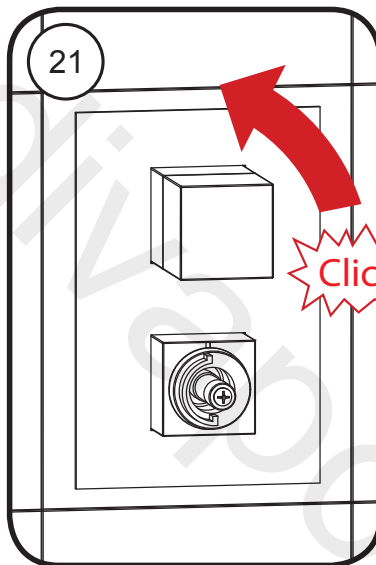
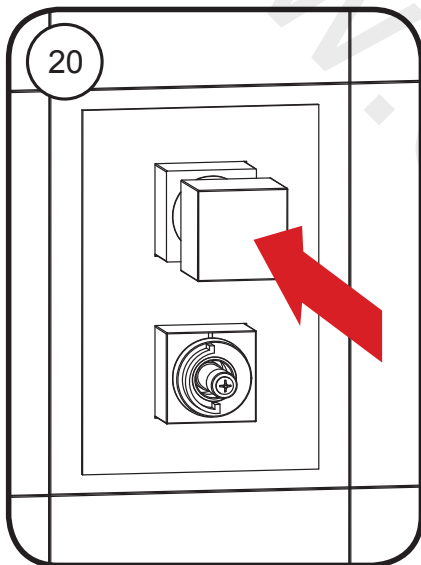
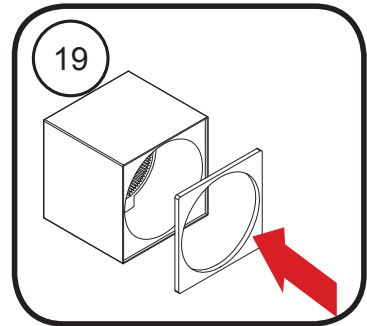
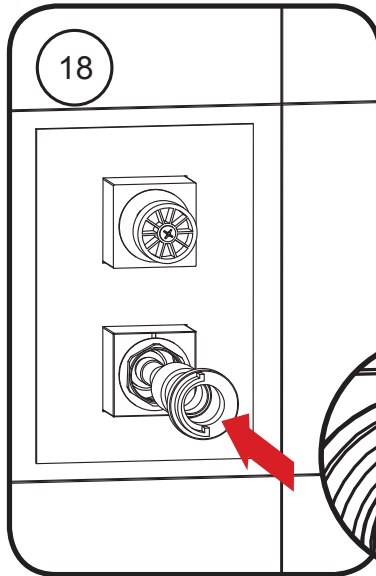
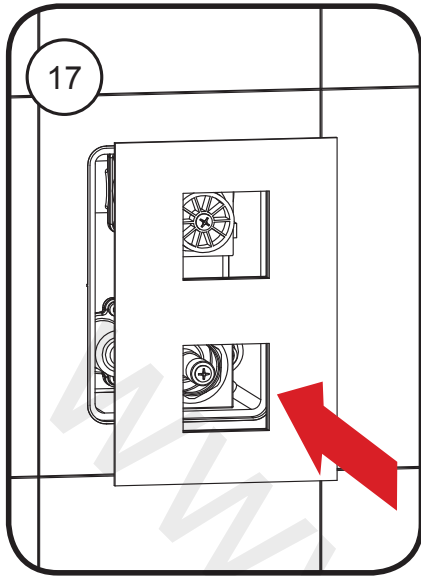


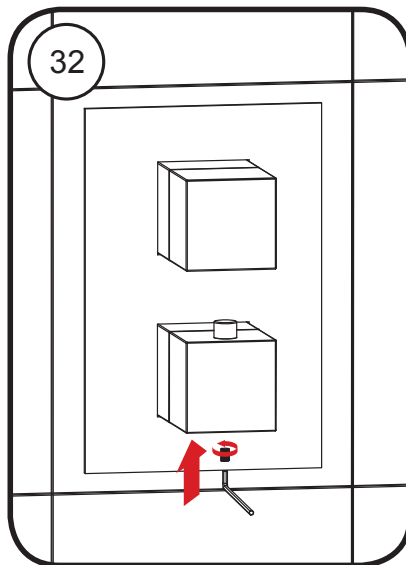
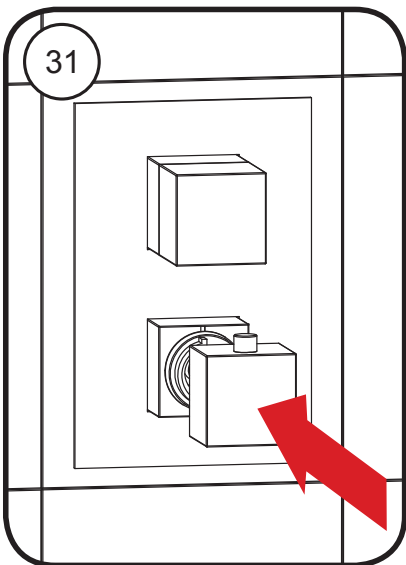
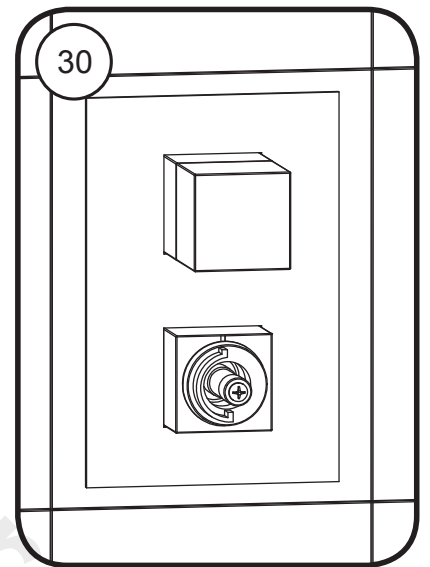
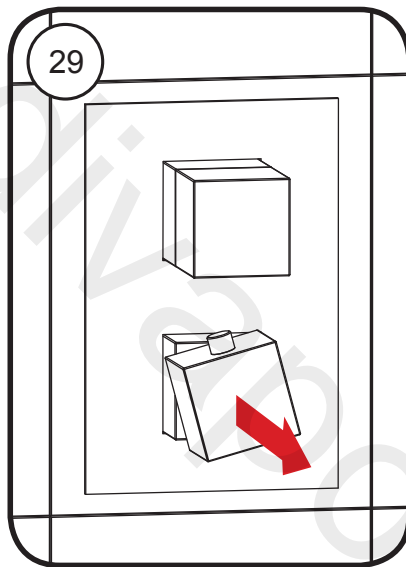
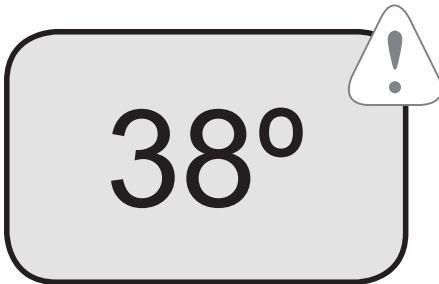
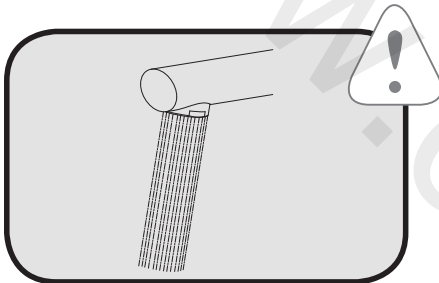
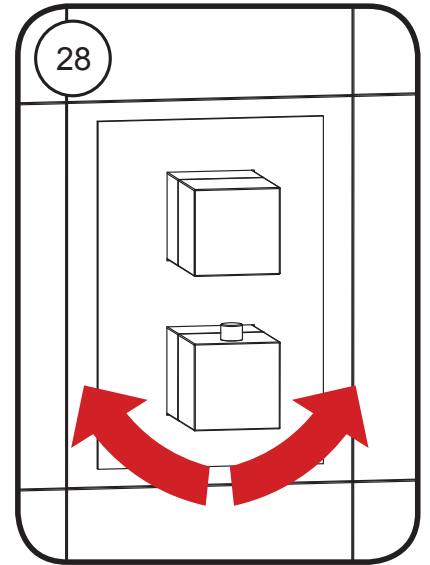
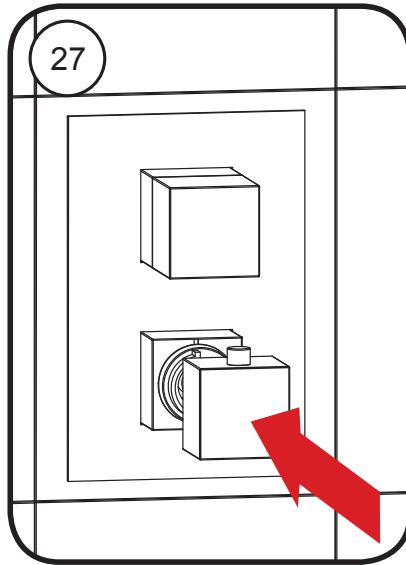
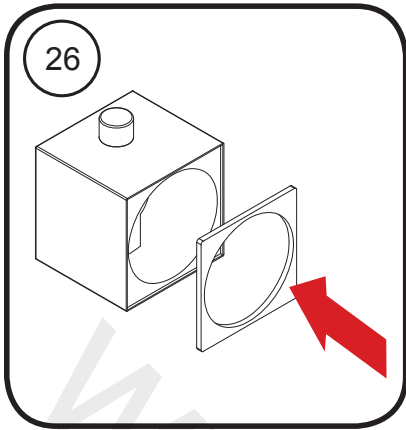


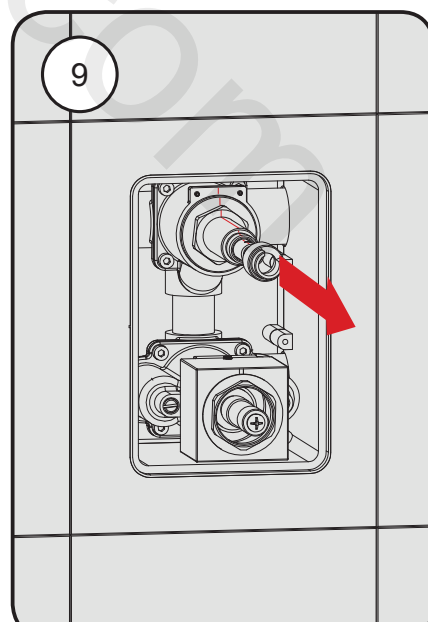
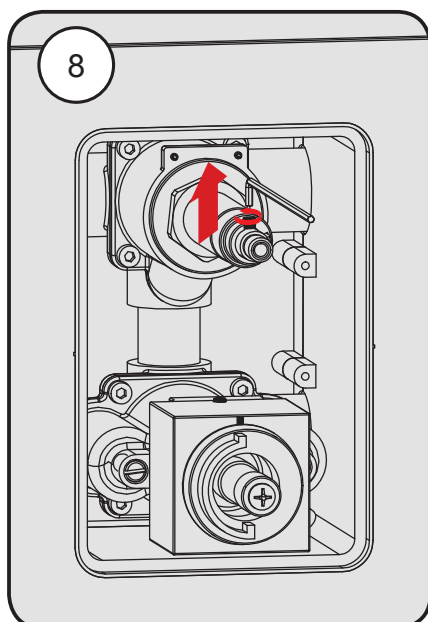
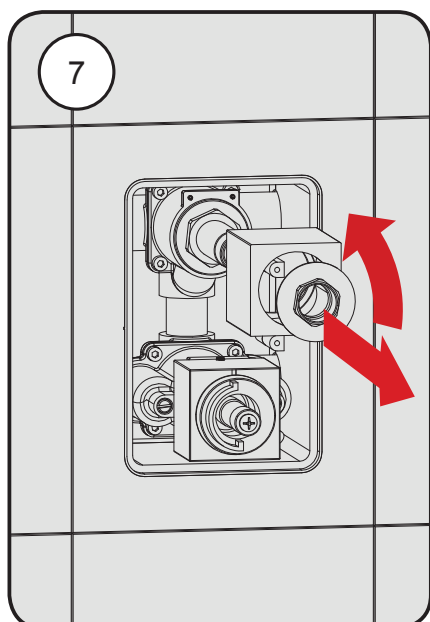
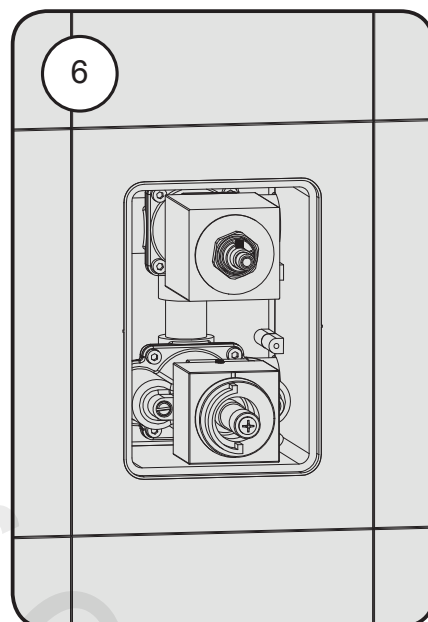
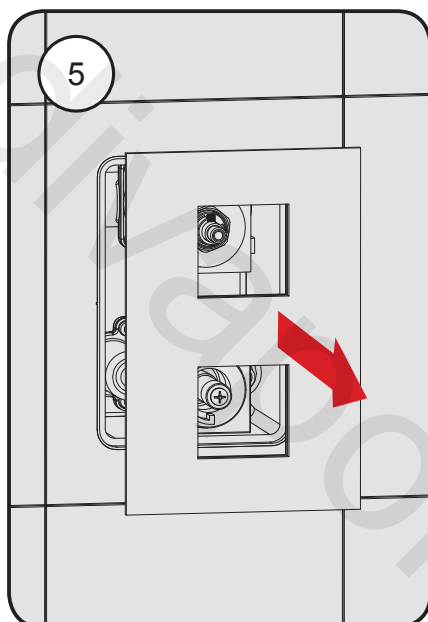
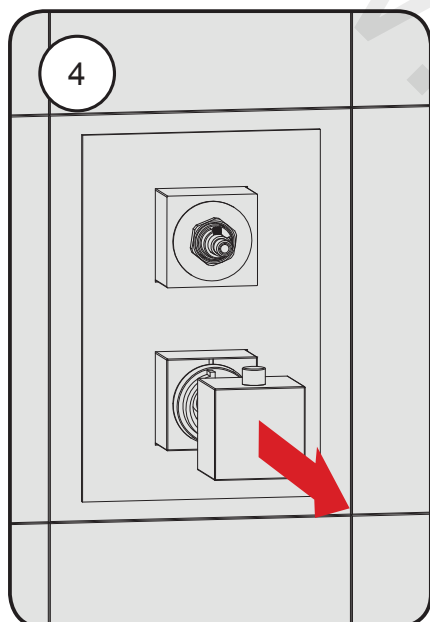
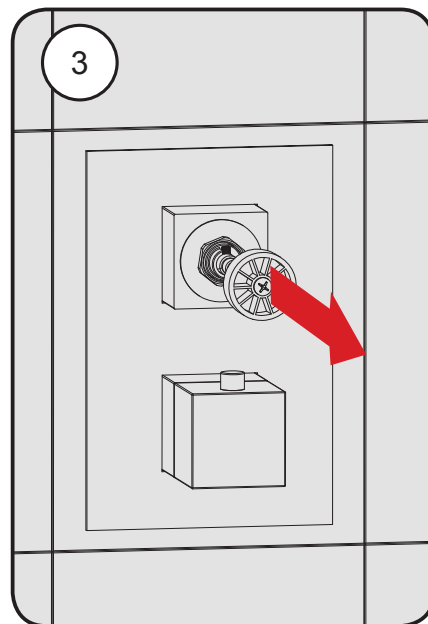
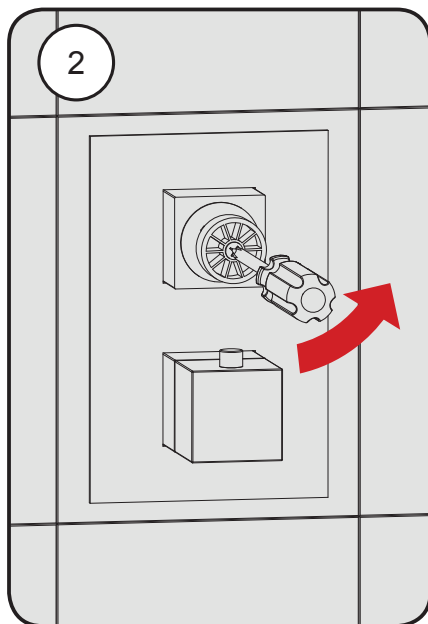
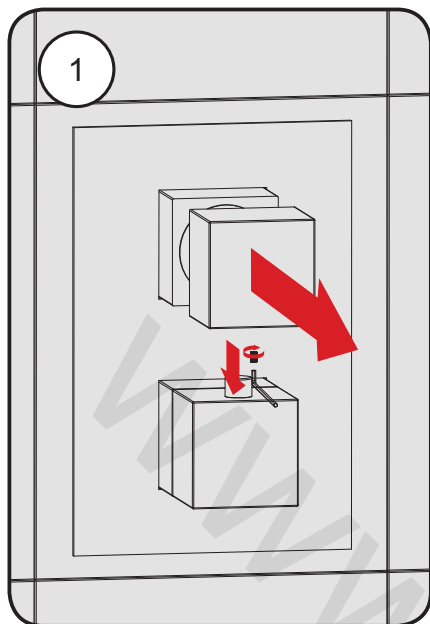
TERMO

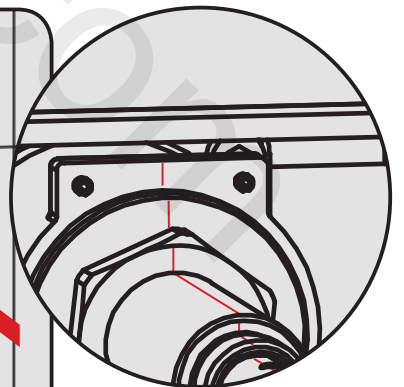
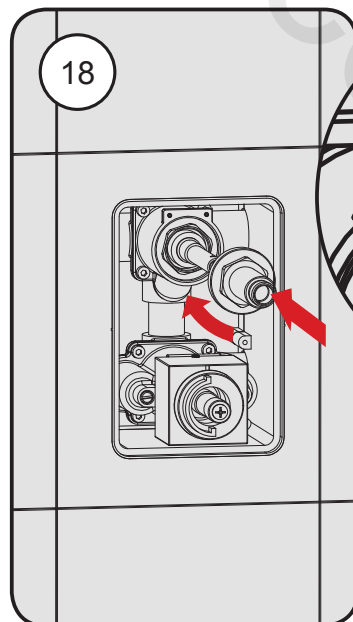
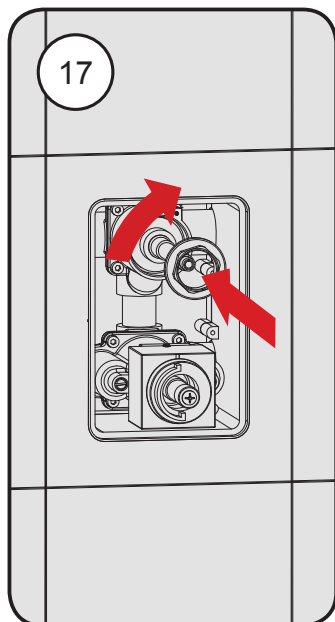
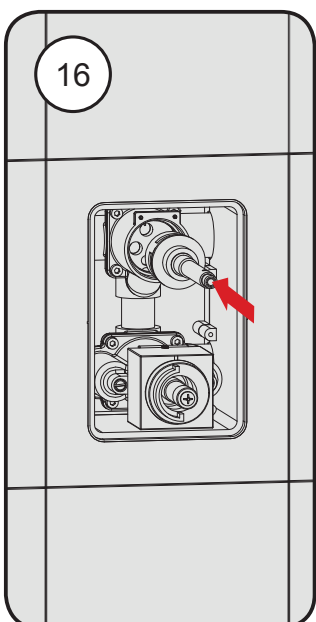
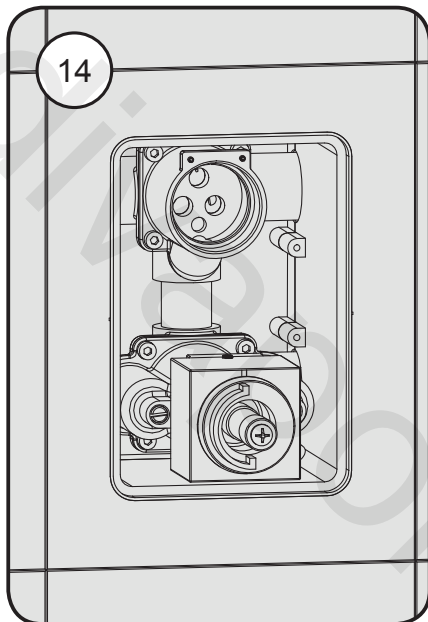
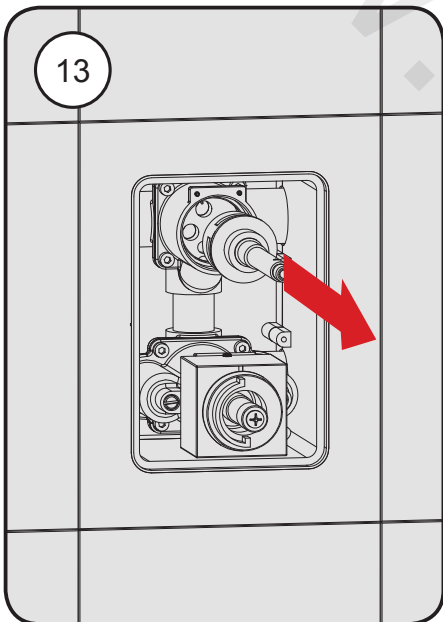
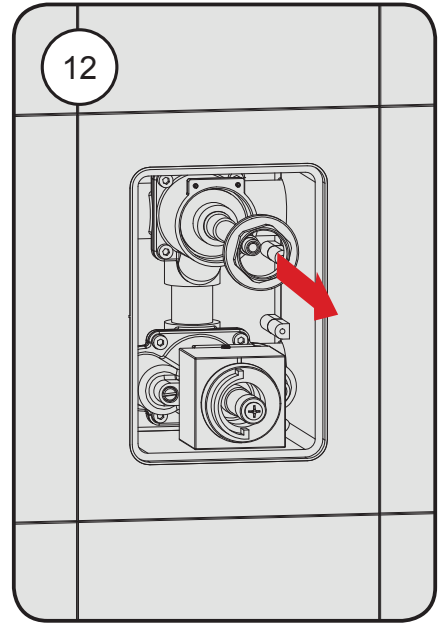
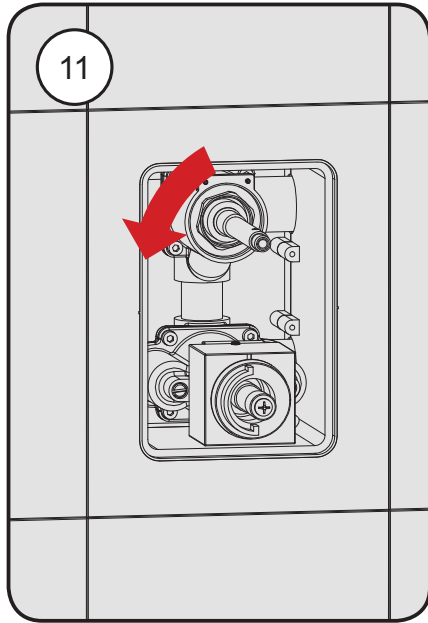
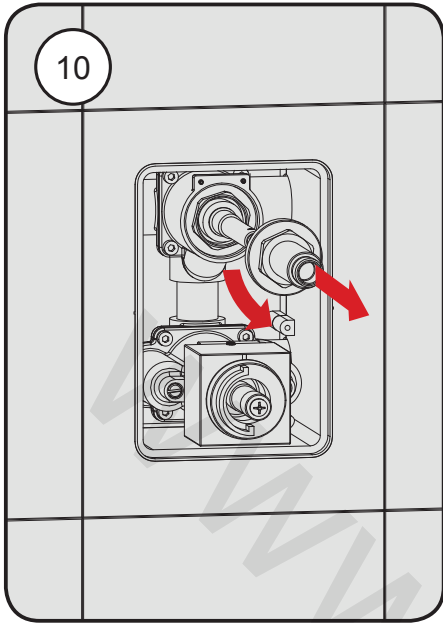






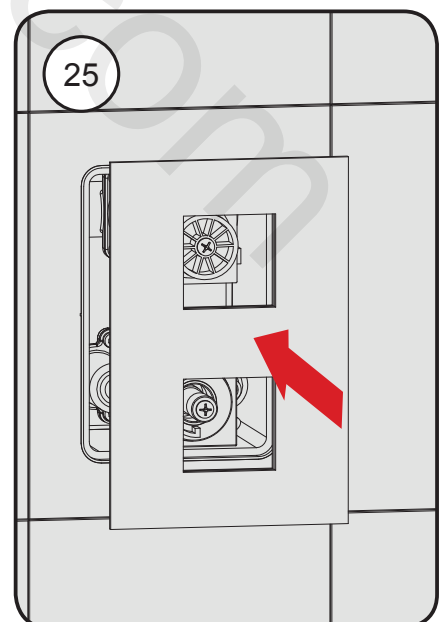
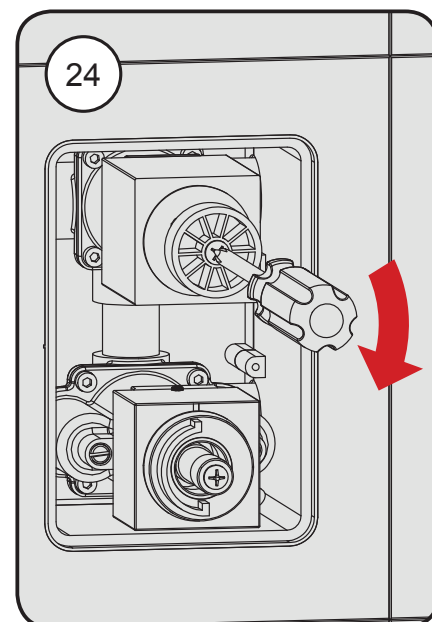
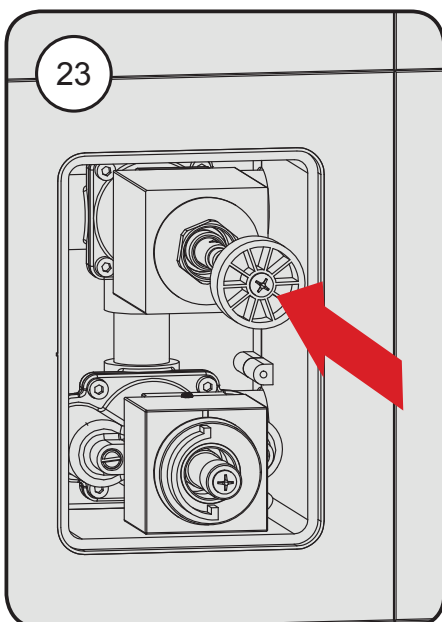
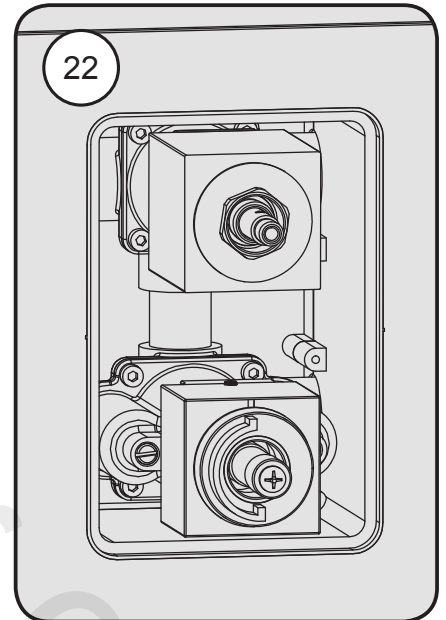
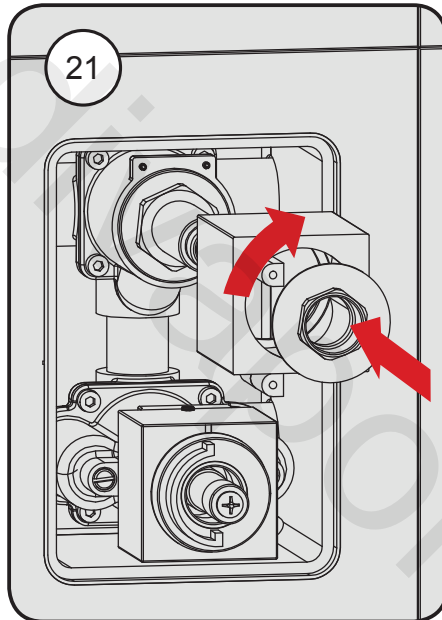
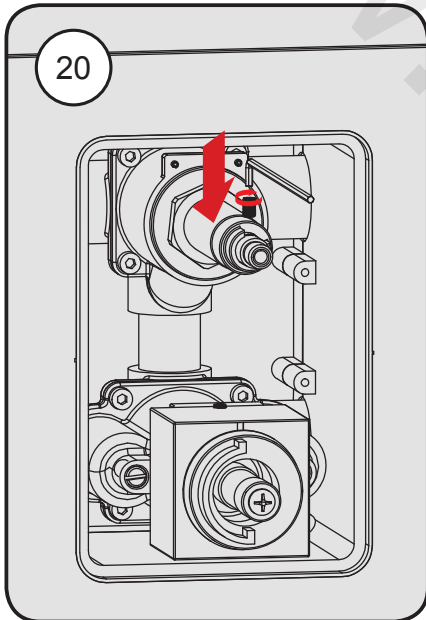
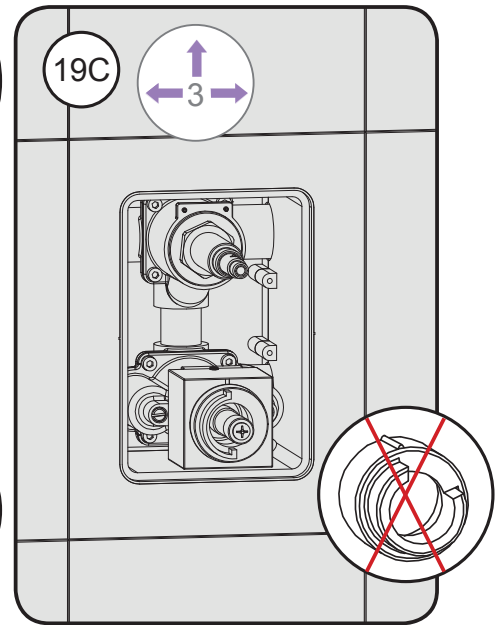
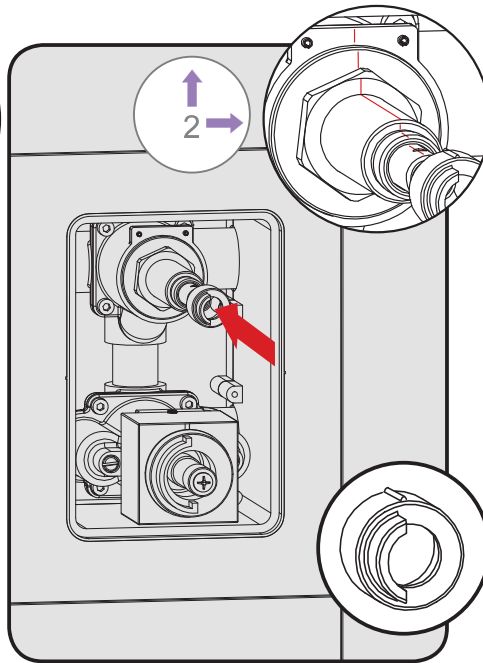
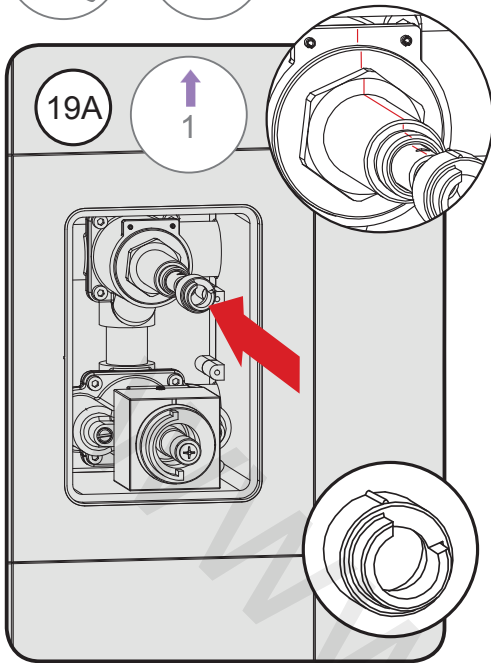


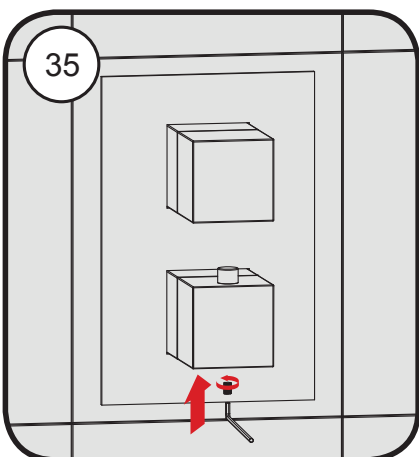
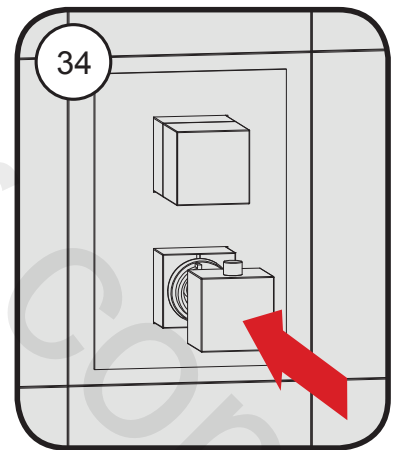
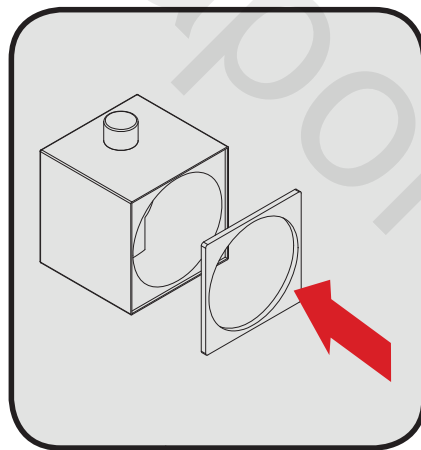
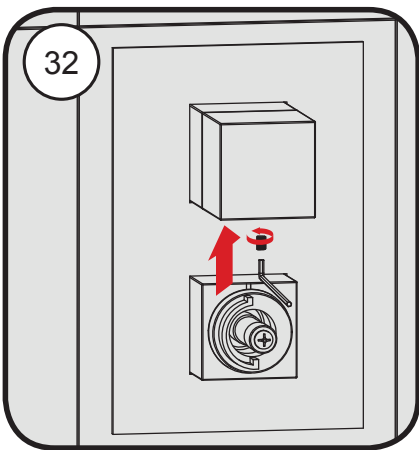
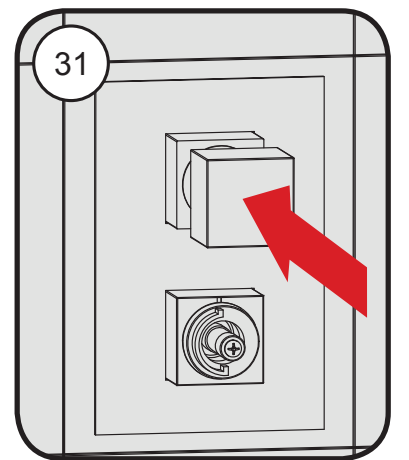
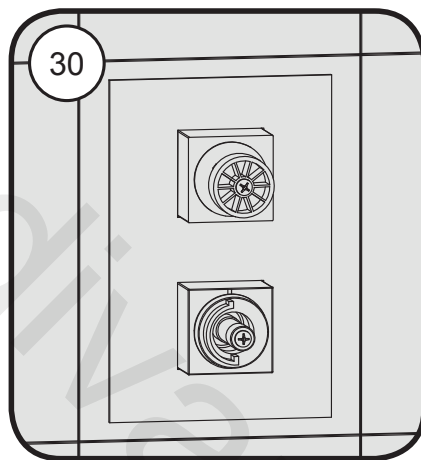
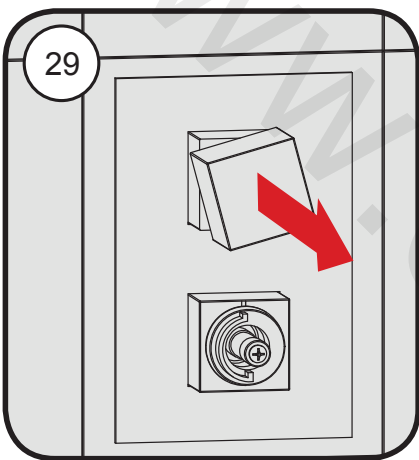
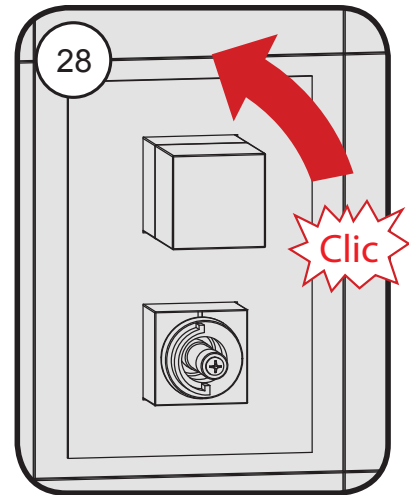
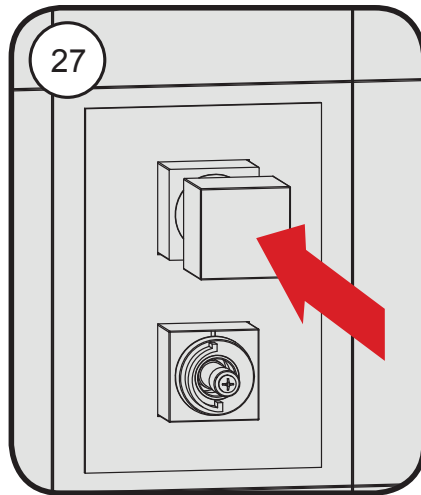
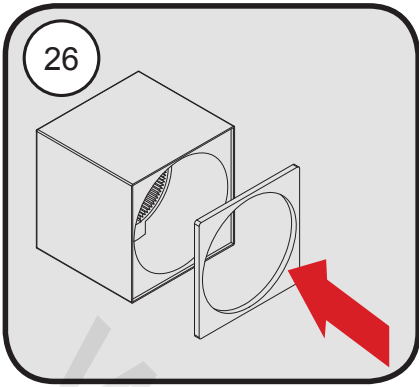


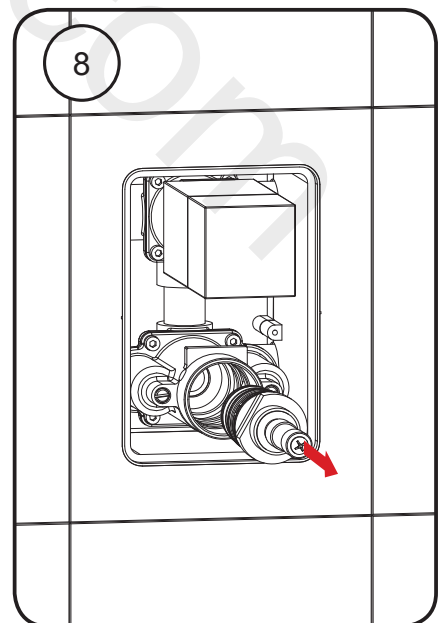
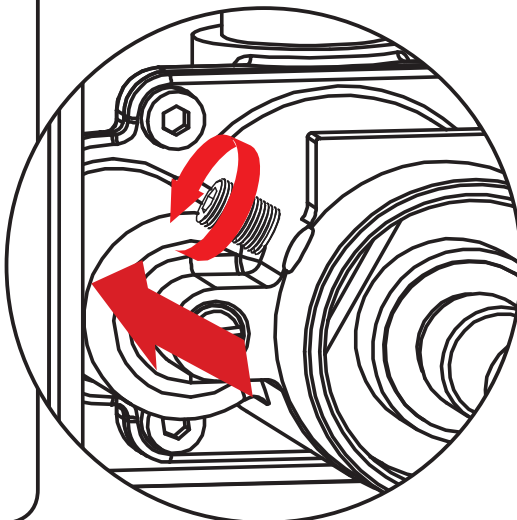
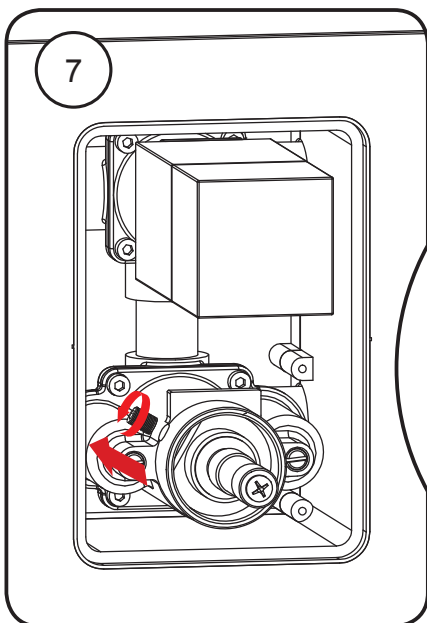
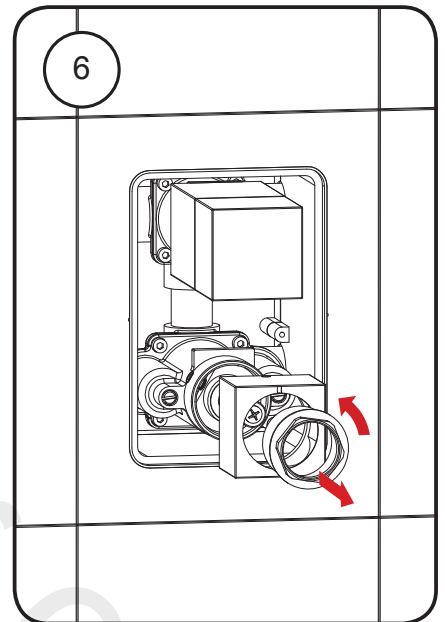
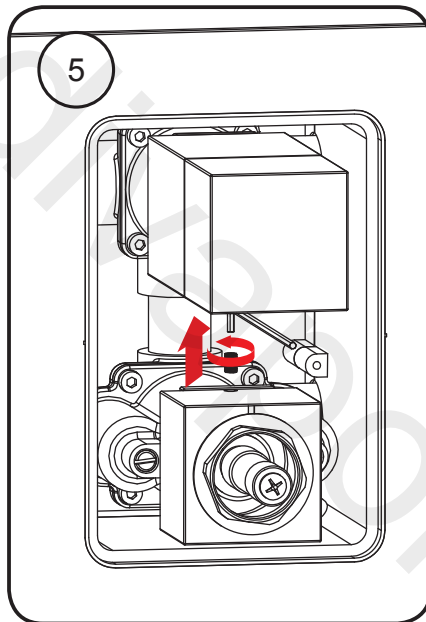
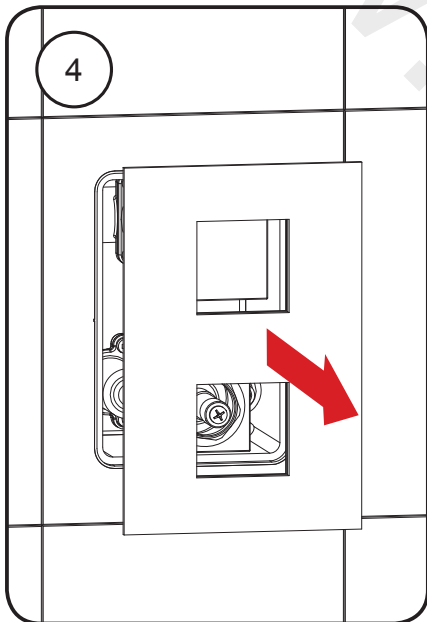
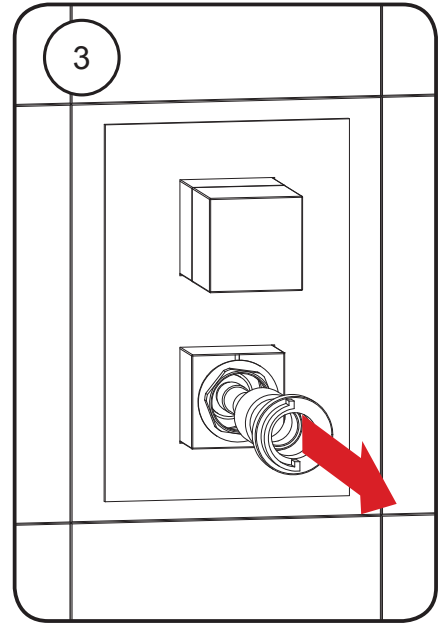
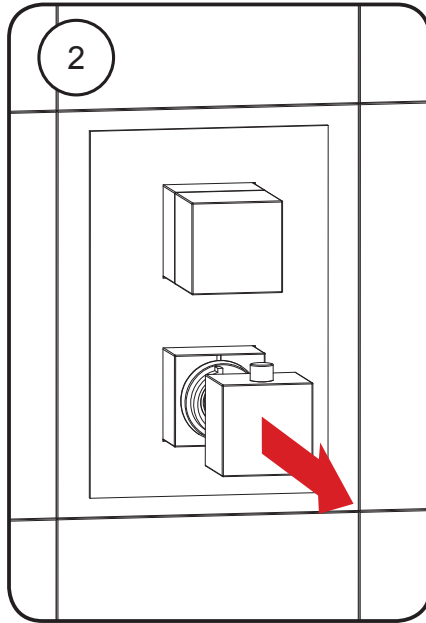
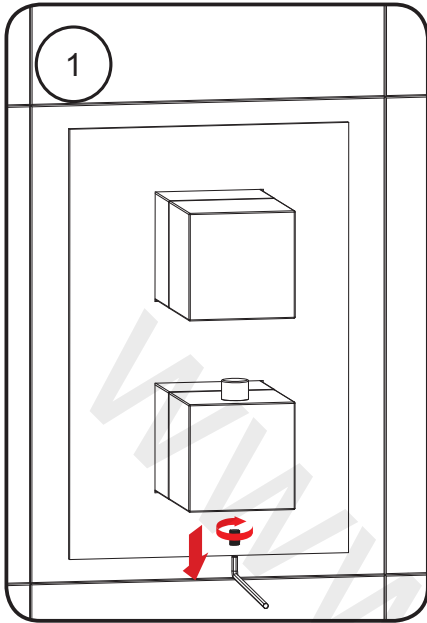


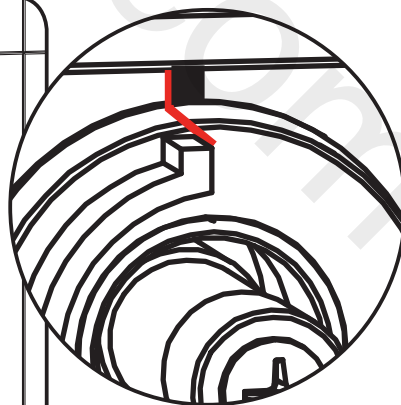
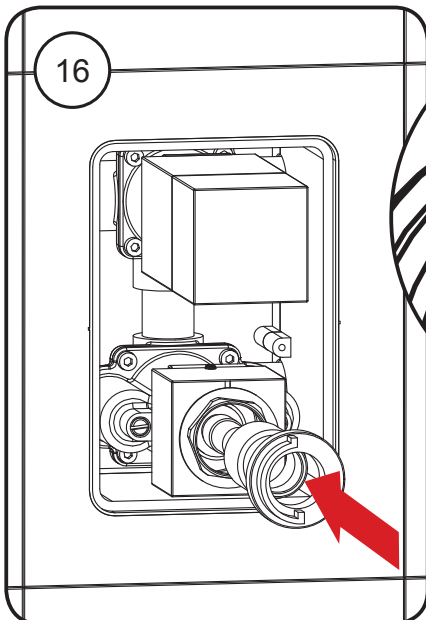
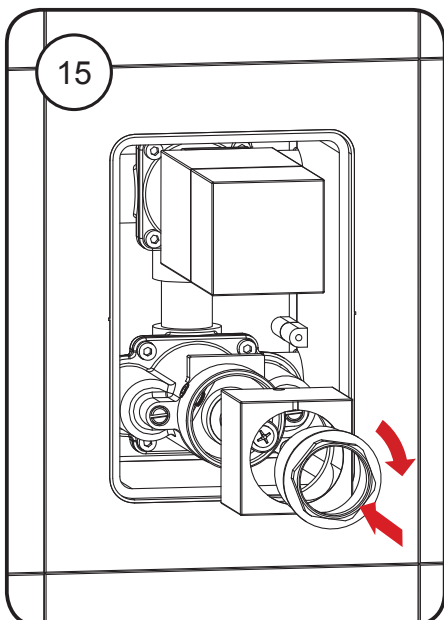
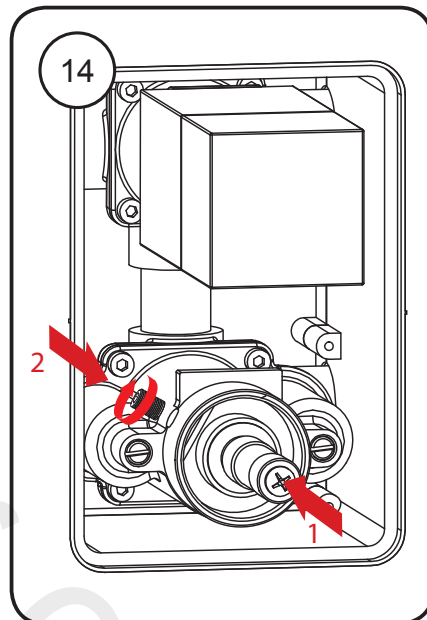
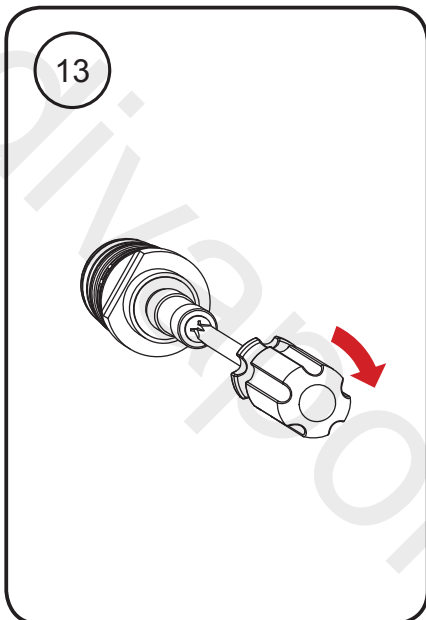
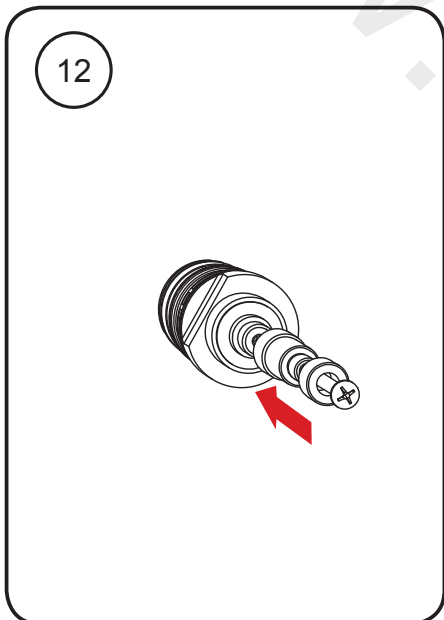
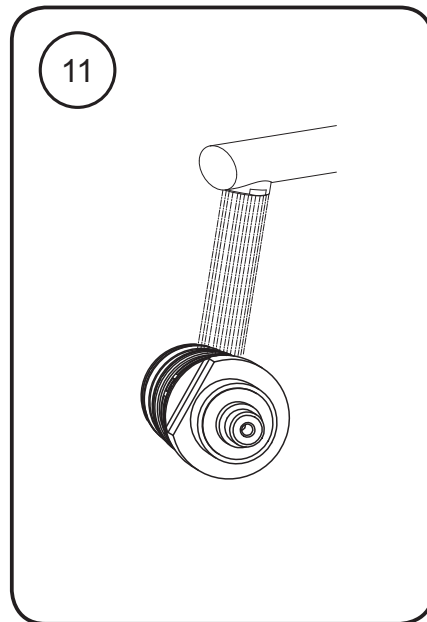
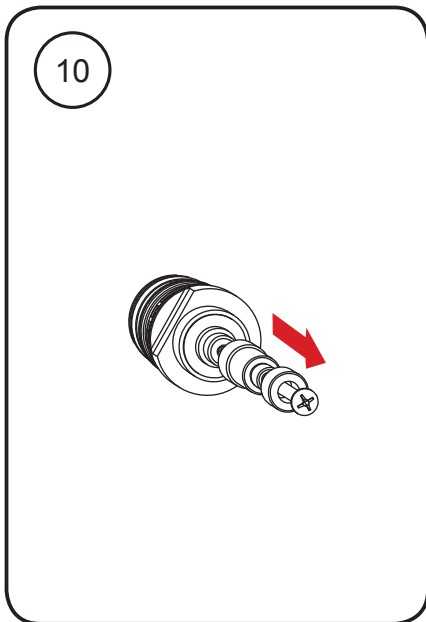
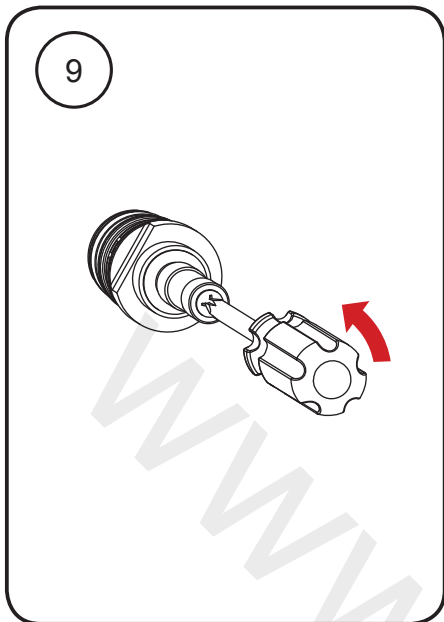


TERMO



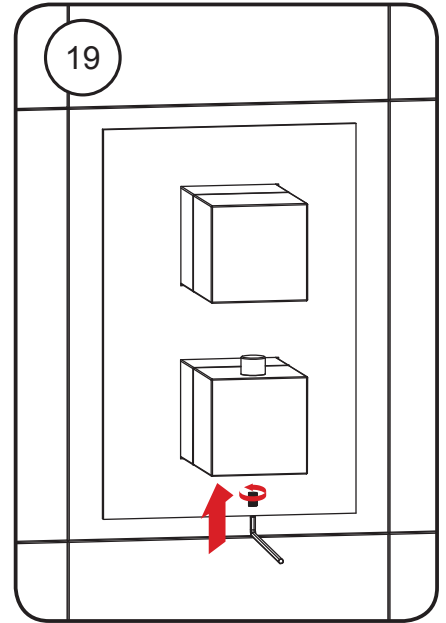
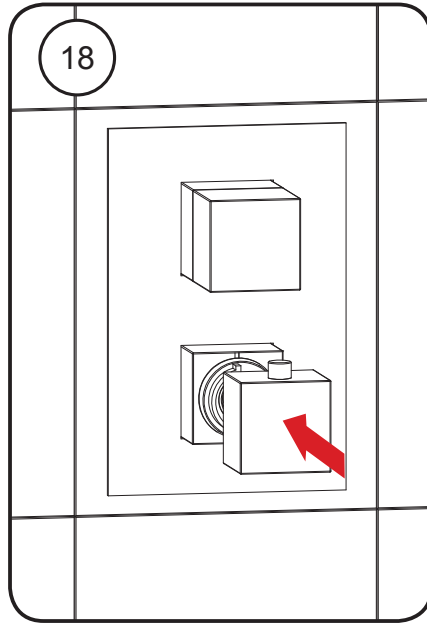
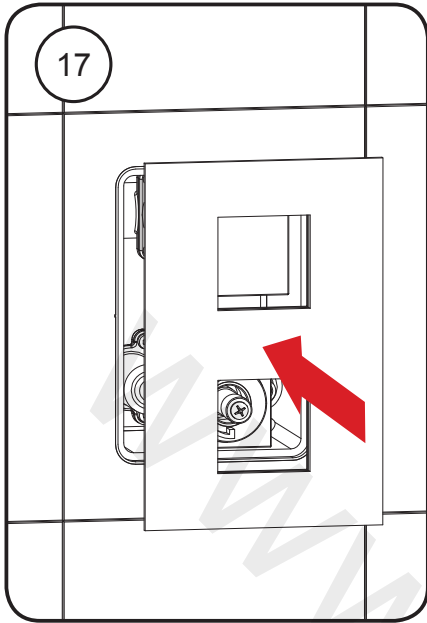




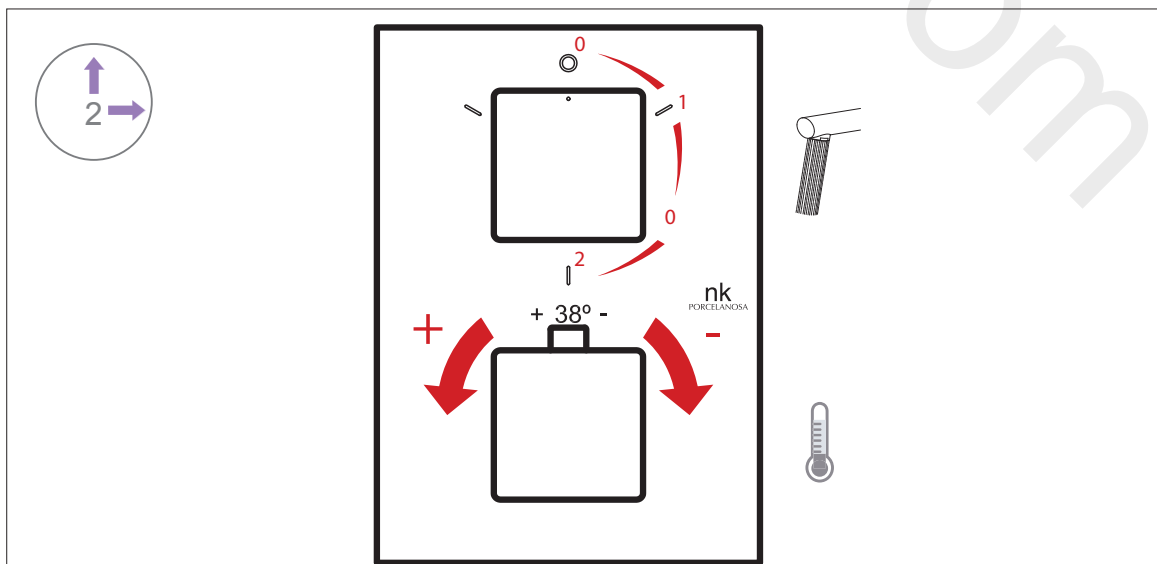
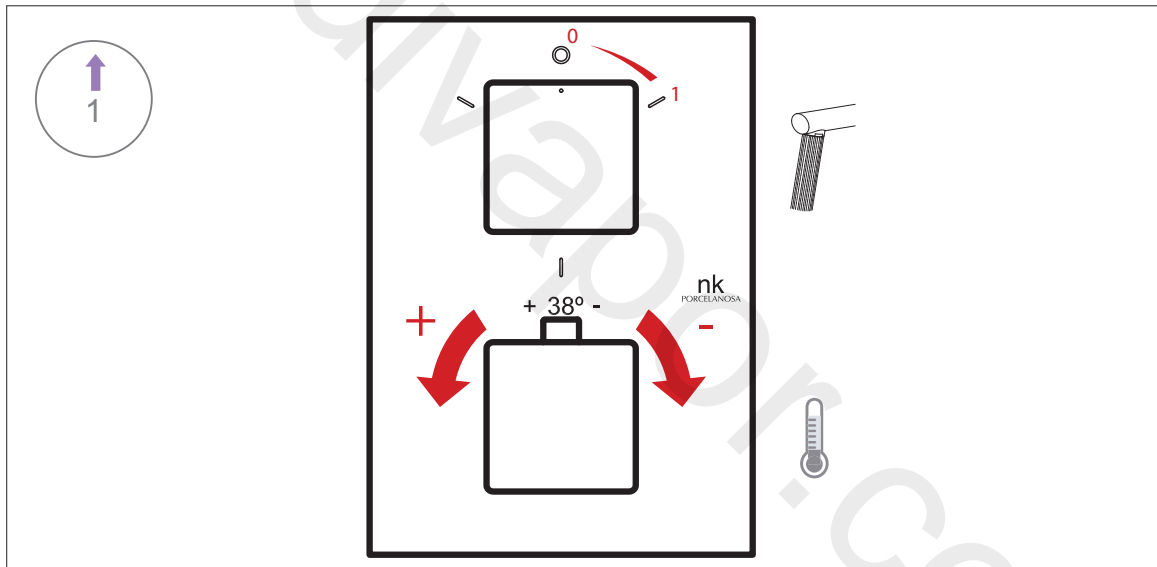


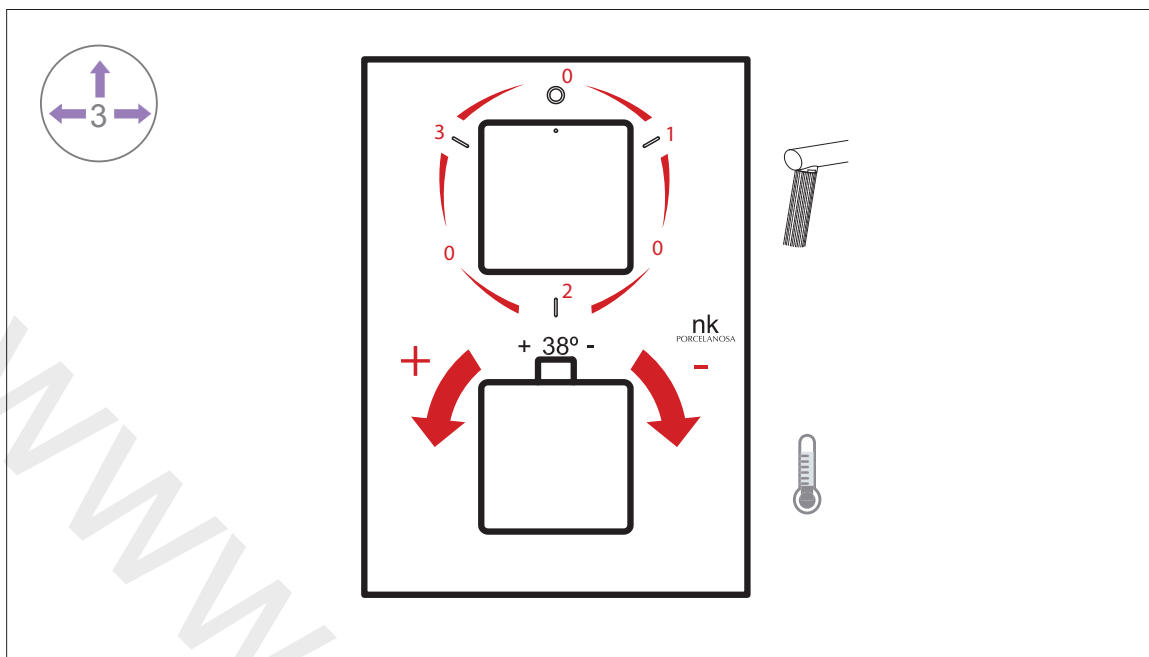


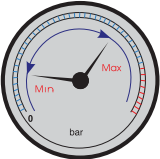


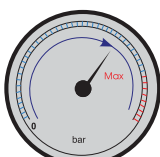
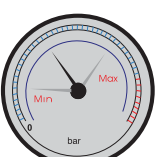
TERMO

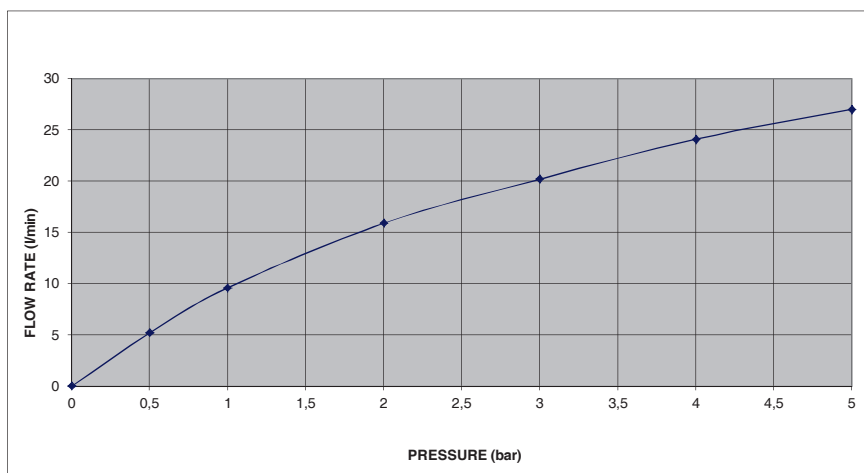


TERMO





 Min.-Max. 0,5 - 5 bar	 Max. 70°C	Mixing system		
 Max. 5 bar	 3 bar	Material		Brass
		Coating	chrome	$\geq 0,25 \mu\text{m}$
			nickel	$\geq 10 \mu\text{m}$



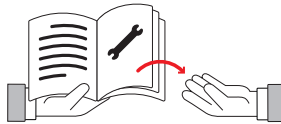
Pressure (Bar)	FLOW RATE (l/min)
0	0
0,5	5,2
1	9,6
2	15,9
3	20,2
4	24,1
5	27



PORCELANOSA BATHROOMS



www.noken.com



Para consultar la garantía u otra información relativa a este producto, visitar nuestra web:

For a warranty or other information on this product, visit our Web address:

Pour obtenir une garantie ou d'autres informations sur ce produit, visitez notre site web:

Para garantia ou outras informações sobre este produto, visite o nosso site:

Per consultare la garanzia o altre informazioni relative a questo prodotto, visitare il nostro sito Web:

Hinweise zur Garantie und zu sonstigen Einzelheiten zu dem Produkt finden Sie auf unserer Webseite:

Для получения гарантийной или другой информации, связанной с данным продуктом, посетите наш веб-сайт:

Aby zapoznać się z gwarancją lub innymi informacjami związanymi z danym produktem, odwiedź naszą stronę internetową:

关于这个产品的保修及其它信息，请访问我司的网站参看。

لمراجعة الضمان أو أي معلومات أخرى متعلقة بهذا المنتج ، الرجاء زيارة موقعنا على الإنترنت