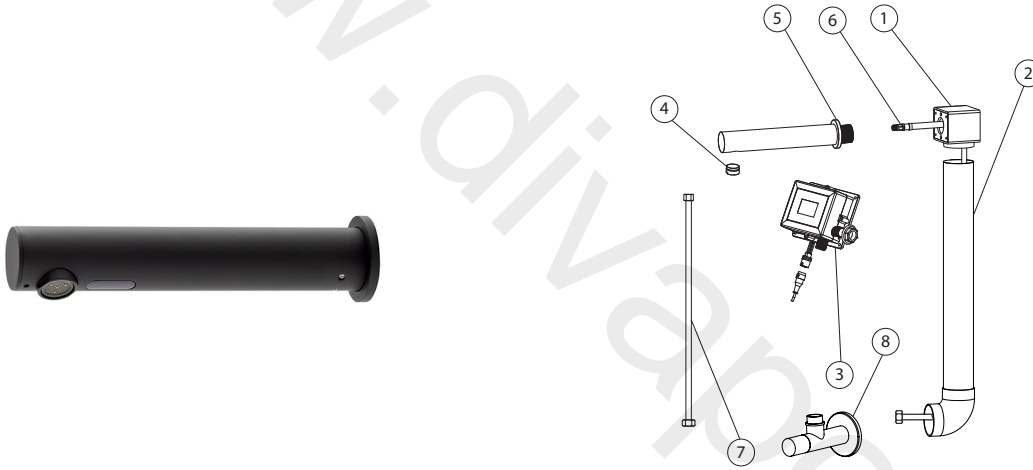


100286632 Matt black

ROUND - Electronic basin mixer with one water inlet 1/2" connections, "plus" aerator, without pop up waste. 220V 50Hz. Flow rate 5 l/min at 3 bar. Filters included



Spare parts

POS.	SAP	ART.	RRP*
1	100241894	REP. CAJA ENCASTRE CAÑOS SENSOR	-
2	100241858	REP. PVC TUBE 600 MM SENSOR SPOUTS	-
3	100241904	REP. CAJA DE CONTROL AC CAÑO SENSOR	-
4	100286568	REP AERATOR SENSOR SPOUT BLACK	-
5	100286612	REP. TRIM SENSOR SPOUT BLACK	-
6	100241905	REP. HOSE 1000 MM SENSOR SPOUT	-
7	100239110	REP. HOSE 400 MM SENSOR SPOUT G1/2 G3/8	-
8	100286594	HOTELS CUT OFF VALVE BLACK	-