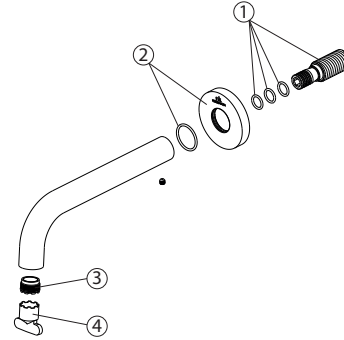


## 100299188 titanium

Wall mounted bath spout. Flow rate 18,2 l/min. at 3 bar.



### Spare parts

POS.	SAP	ART.	RRP*
1	100301724	EMB C/BAÑERA ROUND N TITANIO	-
2	100301723	REP. AIREADOR C/BAÑERA ROUND N	-
3	100081787	LLAVE AIREADOR ENCASTRADO INTERMEDIO	-