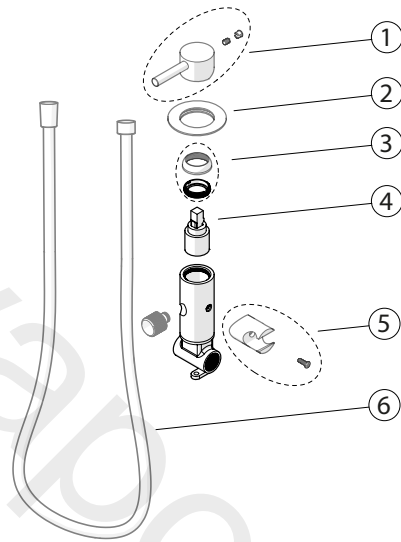
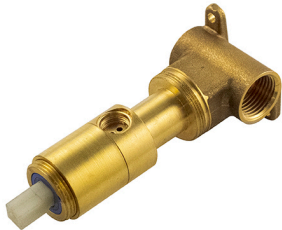


100304788

Internal body mixer for sanitary shower. Flow rate 8,6 l/min. at 3 bar.



Spare parts

POS.	SAP	ART.	RRP*
4	100241940	CARTRIDGE SANIT. SHOWER W/MIXER PR. LINE	-