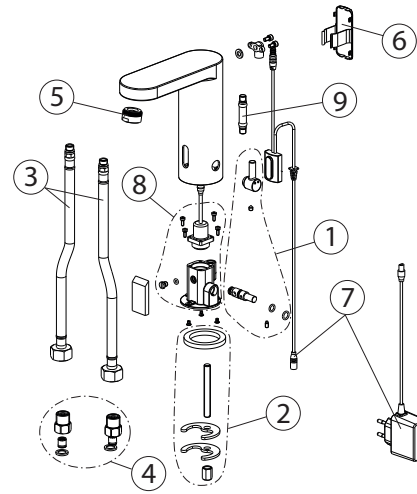


100305322 chrome

HOTELS - Basin mixer with sensor control with two water inlets. 3/8"connections, without pop up waste. Includes a 100-240V AC transformer. "Plus" aerator. Flow rate 5 l/min. at 3 bar.



Spare parts

POS.	SAP	ART.	RRP*
1	100113091	TEMPERATURE HANDLE HOTELS IR MIXER CHR.	-
2	100109667	fixing kit HOTELS IR mixer	-
3	100044109	PAIR STANDARD HOSES	-
4	100109668	pair of hose filters 3/8"	-
5	100072936	FLOW REGULATOR 5 L/MIN STANDARD AERATOR	-
6	100306633	HOTELS IR AC REAR COVER CR	-
7	100306635	HOTELS IR AC SENSOR + POWER SUPPLY	-
8	100306629	REP INT BODY+ELEC HOTELS IR AC 2 INLETS	-
9	100236365	HOSE INTERN CONNECT HOTELS SENSOR FAUCET	-