

100308538 chrome

round wall mounted basin mixer, 9V(LR61) battery . Cold water or pre mixed, 4,0 L/M (1,0GPM), 0,5-5,0 bar (7-72,5 PSI), sensor range 30-155mm +- 10mm 1,38-6,10" + 0,39" (or custom with remote control 100038795), Tmax 70°, self close 90s (or custom with remote control), included transformer US-100305213, transformer EU-100305240 included

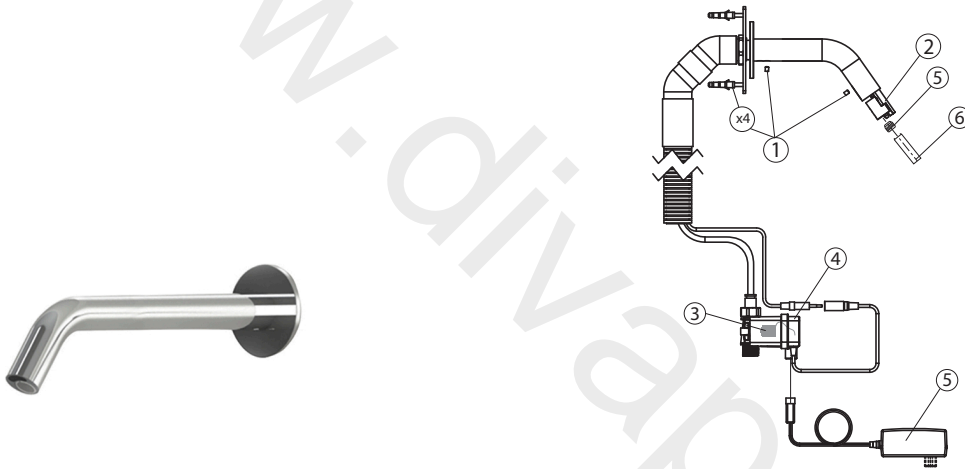


Table of Components

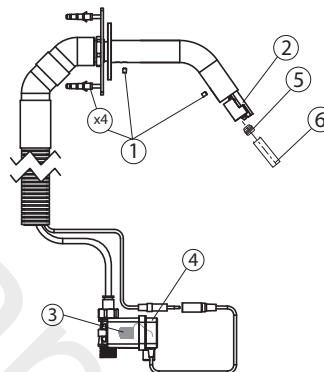
POS.	SAP	ART.	RRP*
1	100305206	C/ROUND SLIM GRIF. ENC. DC CR	-
2	100305240	EU SWITCH ADAPT. TOUCHLESS 9V - F	-

Spare parts

POS.	SAP	ART.	RRP*
1	100308271	ROUND SLIM SER. FAUCET-SEALS.SCREWS KIT	-
2	100308272	ROUND SLIM SER. FAUCET - SENSOR	-
3	100308255	FAUCET SER.ROUND +SLIM -SOLENOID	-
4	100308256	ROUND+SLIM SERIES - DUAL POWER BOX	-
5	100310444	AIREADOR 4LPM D14 TOUCHLESS	-
6	100310452	KIT FOR AERATOR D14 TOUCHLESS	-
7	100305240	EU SWITCH ADAPT. TOUCHLESS 9V - F	-

100305206 chrome
[COMMERCIAL SET: 100308538]

round wall mounted basin mixer, 9V(LR61) battery. Cold water or pre mixed, 4,0 L/M (1,0GPM), 0,5-5,0 bar (7-72,5 PSI), sensor range 30-155mm +- 10mm 1,38-6,10" + 0,39" (or custom with remote control 100038795), Tmax 70°, self close 90s (or custom with remote control), transformer option (EU-100305240 / US-100305213)



Spare parts

POS.	SAP	ART.	RRP*
1	100308271	ROUND SLIM SER. FAUCET-SEALS.SCREWS KIT	-
2	100308272	ROUND SLIM SER. FAUCET - SENSOR	-
3	100308255	FAUCET SER.ROUND +SLIM -SOLENOID	-
4	100308256	ROUND+SLIM SERIES - DUAL POWER BOX	-
5	100310444	AIREADOR 4LPM D14 TOUCHLESS	-
6	100310452	KIT FOR AERATOR D14 TOUCHLESS	-