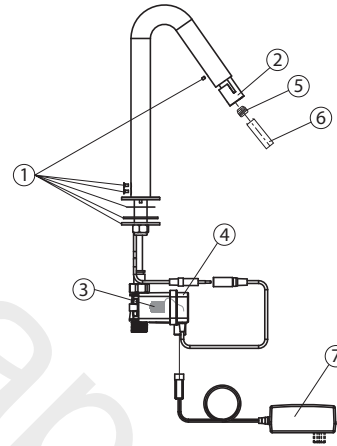


## 100308557 chrome

round deck mounted basin mixer, 9V(LR61) alkaline battery. Cold water or pre mixed, 1.89 L/M (0.5GPM), 0,5-5,0 bar (7-72,5 PSI), sensor range 30-100mm +- 10mm 1,18-3,94" ( or custom with remote control 100038795), Tmax 70°, self close 90s (or custom with remote control ), included transformer EU-100305240



### Table of Components

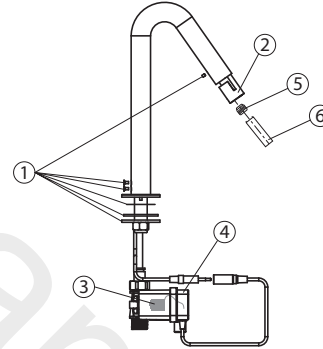
POS.	SAP	ART.	RRP*
1	100305223	C/ROUND GRIF. APOYO DC CR	-
2	100305240	EU SWITCH ADAPT. TOUCHLESS 9V - F	-

### Spare parts

POS.	SAP	ART.	RRP*
1	100308239	ROUND SER. FAUCET-SEALS.SCREWS KIT	-
2	100308263	FAUCET SER.ROUND -SENSOR	-
3	100308255	FAUCET SER.ROUND +SLIM -SOLENOID	-
4	100308256	ROUND+SLIM SERIES - DUAL POWER BOX	-
5	100310619	AERATOR 1.89LPM D14 SPRAY TOUCHLESS	-
6	100310452	KIT FOR AERATOR D14 TOUCHLESS	-
7	100305240	EU SWITCH ADAPT. TOUCHLESS 9V - F	-

**100305223 chrome**  
**[COMMERCIAL SET: 100308557]**

round deck mounted basin mixer, 9V(LR61) alkaline battery. Cold water or pre mixed, 1.89 L/M (0.5GPM), 0,5-5,0 bar (7-72,5 PSI), sensor range 30-100mm +- 10mm 1,18-3,94" ( or custom with remote control 100038795), Tmax 70°, self close 90s (or custom with remote control ), transformer option (EU-100305240 / US-100305213)



### Spare parts

POS.	SAP	ART.	RRP*
1	100308239	ROUND SER. FAUCET-SEALS.SCREWS KIT	-
2	100308263	FAUCET SER.ROUND -SENSOR	-
3	100308255	FAUCET SER.ROUND +SLIM -SOLENOID	-
4	100308256	ROUND+SLIM SERIES - DUAL POWER BOX	-
5	100310619	AERATOR 1.89LPM D14 SPRAY TOUCHLESS	-
6	100310452	KIT FOR AERATOR D14 TOUCHLESS	-