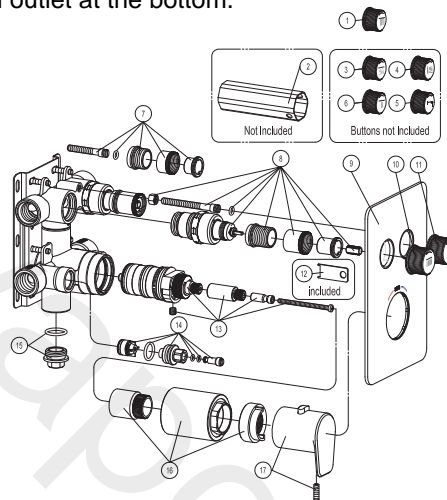


100312721 chrome

Thermostatic concealed bath/shower mixer with 2 outlets. Thermostatic cartridge. Connections 1/2". Trim kit and Project Line body included. The flow rate at 3 bar is 21 l/min for both outlets. Possibility to combine functions simultaneously. Trims for hand shower and rain buttons installed. It incorporates additionally a cascade trim button interchangeable. Chrome: It can be combined with 100243874, 100243838, 100284604 and 100243839 opening the additional outlet at the bottom. Black: It can be combined with 1100271996 and 100284630 opening the additional outlet at the bottom.



Extension kit

| OPTION | SAP | FINISH | DIMENSION |
|--------|-----------|--------|-----------|
| 1 | 100258297 | CHROME | 15 mm |

Spare parts

| POS. | SAP | ART. | RRP* |
|------|-----------|--|------|
| 1 | 100313749 | REP. BOTON EMB CASC T&F C/ REG CAUD CR | - |
| 2 | 100267533 | REP. TOOL FOR INT. MECH T&F | - |
| 3 | 100313768 | REP. BOTON EMB VAPOR T&F C/ REG CAUD CR | - |
| 4 | 100313747 | REP. BOTON EM JET LAT T&F C/ REG CAUD CR | - |
| 5 | 100313763 | REP BOT EM CAÑO BAÑ T&F C/ REG CAUD CR | - |
| 6 | 100313770 | R BOT EM CHORRO CEN T&F C/ REG CAUD CR | - |
| 7 | 100313742 | REP. REDUCTOR MEC. PULS T&F C/REG CAUD | - |
| 8 | 100313668 | MEC INT T&F EXC TOMA/BARRA C/REG CAUD | - |
| 9 | 100313743 | REP. PLACA T&F 100312721 C/REG CAUD CR | - |
| 10 | 100313767 | REP BOTON EMB DUCHA T&F C/ REG CAUD CR | - |
| 11 | 100313748 | REP. BOTON EMB TELED T&F C/ REG CAUD CR | - |
| 12 | 100313760 | REP. LLAVE FIJ T&F C/REG CAUD | - |
| 13 | 100244139 | CARTR T&F100243819,243873,243848 | - |
| 14 | 100281668 | FIL+VALV ANT T&F C/FUNCION STOP TERM PL | - |
| 15 | 100244117 | REP TAPON INF PL T&F 100243848 | - |
| 16 | 100244144 | REP. TRIM CART PL PL T&F 100243848 | - |

www.divapor.com