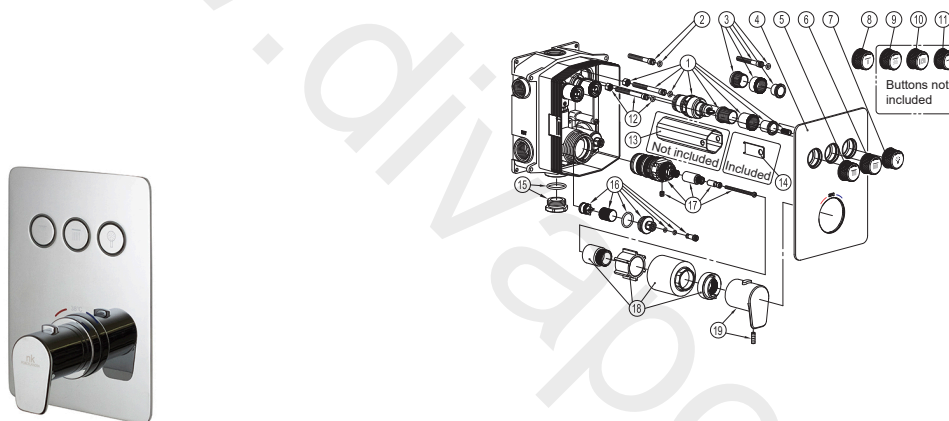


**100312750 chrome**

Thermostatic concealed bath/shower mixer with 3 outlets. Thermostatic cartridge. Inlet connections 3/4", Outlet connections 1/2". Trim kit and Smart box body included. The flow rate at 3 bar is 20 l/min for both lateral outlets and 22 l/min for the upper outlet. Possibility to combine functions simultaneously. Trims for hand shower, rain and cascade buttons installed. Additionally it's included a central jet trim button interchangeable. It can be combined with 100243874, 100243838, 100284604 and 100243839 opening the additional outlet at the bottom

**Extension kit**

OPTION	SAP	FINISH	DIMENSION
1	100258276	CHROME	15 mm

**Spare parts**

POS.	SAP	ART.	RRP*
1	100313668	MEC INT T&F EXC TOMA/BARRA C/REG CAUD	-
2	100286104	REP. STANDARD SCREW T&F	-
3	100313742	REP. REDUCTOR MEC. PULS T&F C/REG CAUD	-
4	100313761	REP. PLACA T&F 100312750 C/REG CAUD CR	-
5	100313749	REP. BOTON EMB CASC T&F C/ REG CAUD CR	-
6	100313767	REP BOTON EMB DUCHA T&F C/ REG CAUD CR	-
7	100313748	REP. BOTON EMB TELED T&F C/ REG CAUD CR	-
8	100313770	R BOT EM CHORRO CEN T&F C/ REG CAUD CR	-
9	100313768	REP. BOTON EMB VAPOR T&F C/ REG CAUD CR	-
10	100313747	REP. BOTON EM JET LAT T&F C/ REG CAUD CR	-
11	100313763	REP BOT EM CAÑO BAÑ T&F C/ REG CAUD CR	-
12	100286125	REP. LONG SCREW T&F	-
13	100267533	REP. TOOL FOR INT. MECH T&F	-
14	100313760	REP. LLAVE FIJ T&F C/REG CAUD	-
15	100244144	REP. TRIM CART PL PL T&F 100243848	-
16	100278745	FIL+VALV ANT T&F C/ FUNCION STOP TERM SB	-

17	100244139	CARTR T&F100243819,243873,243848	-
18	100244148	TRIM CART SB T&F 100243819,100243873	-
19	100244170	REP. HANDLE T&F100243819,243873,243848	-

www.divapor.com