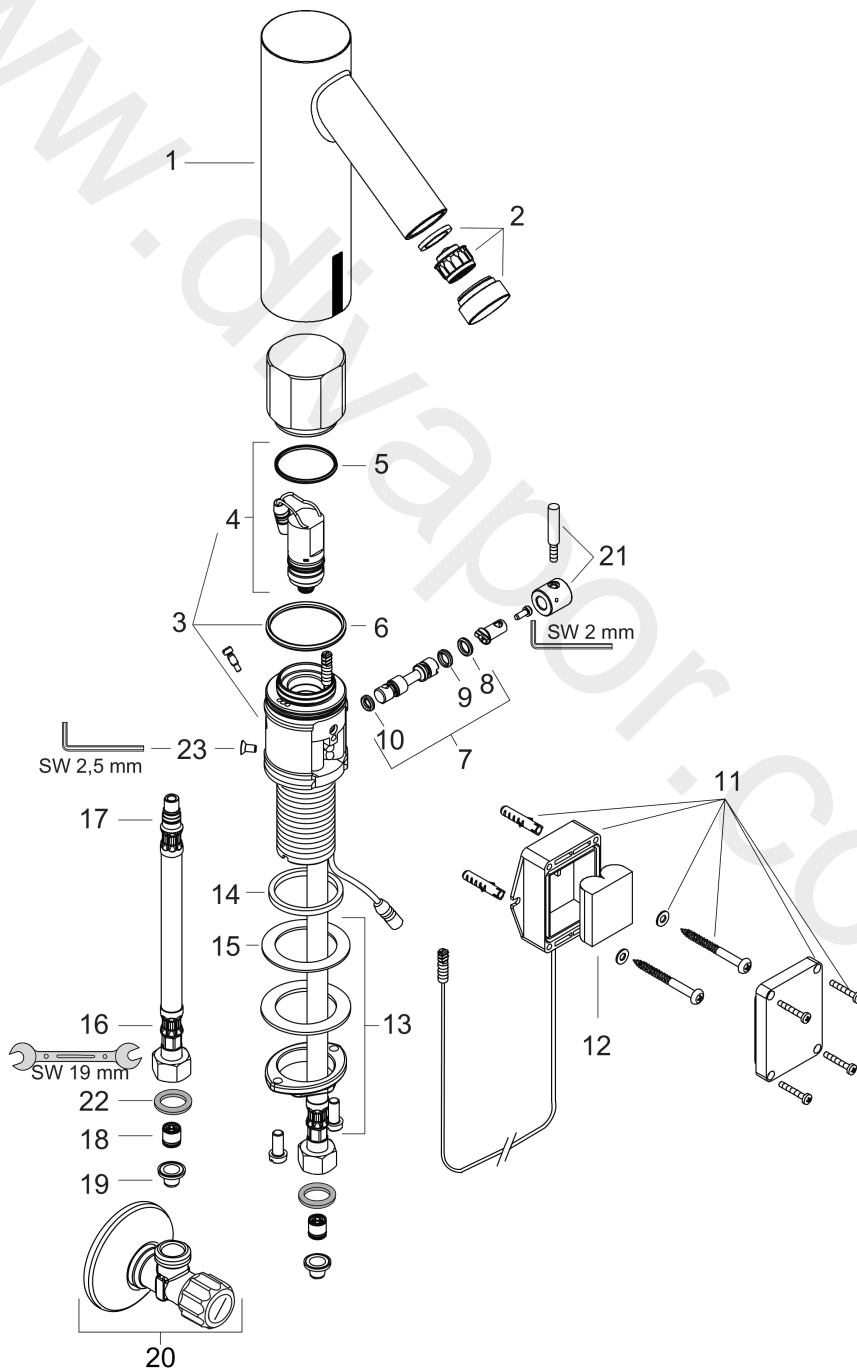


AXOR Starck
Electronic basin mixer with temperature control battery-operated
 Surfaces: Article Number: **10101000**



Exploded Drawing

Year of production: **04/10 - 04/14**



AXOR Starck

Electronic basin mixer with temperature control battery-operated

Surfaces: Article Number: **10101000**



Spare part list

Year of production: **04/10 - 04/14**

Pos.		Article Number	Price	PU
1	mixer-hood	92301000	£ 830,00	1
2	aerator M24x1 (5 l/min)	95379000	£ 43,00	1
3	electronics incl. solenoid valve	98799000	£ 585,00	1
4	solenoid valve	95654000	£ 173,00	1
5	O-ring 31x2	98204000	£ 6,10	1
6	O-ring 40x2,5	98399000	£ 3,30	1
7	mixing shaft	92209000	£ 64,00	1
8	O-ring 7x2	98419000	£ 3,30	1
9	O-ring 6x2	98458000	£ 3,30	1
10	O-ring 5x2	98215000	£ 3,30	1
11	battery box	98801000	£ 51,00	1
12	battery CR-P2 / 6V lithium	97399000	-	1
13	fixing set (Ø 32)	13961000	£ 25,00	1
14	sealing washer	97825000	£ 3,30	1
15	lever collar	97548000	£ 3,30	1
16	connection hose 450 mm M8x0,75 G3/8	98809000	£ 51,00	1
17	O-ring 7x1,5	98422000	£ 3,30	1
18	non return valve DW 10	96456000	£ 9,00	1
19	filter packing	95291000	£ 13,30	1
20	angle valve with microfilter	13904000	£ 48,00	1
21	sliding gear lever	92384000	£ 96,00	1
22	sealing set	95581000	£ 6,10	1
23	screw	93272000	£ 3,30	1
a	fixation extension 35 mm	13898000	£ 79,00	1