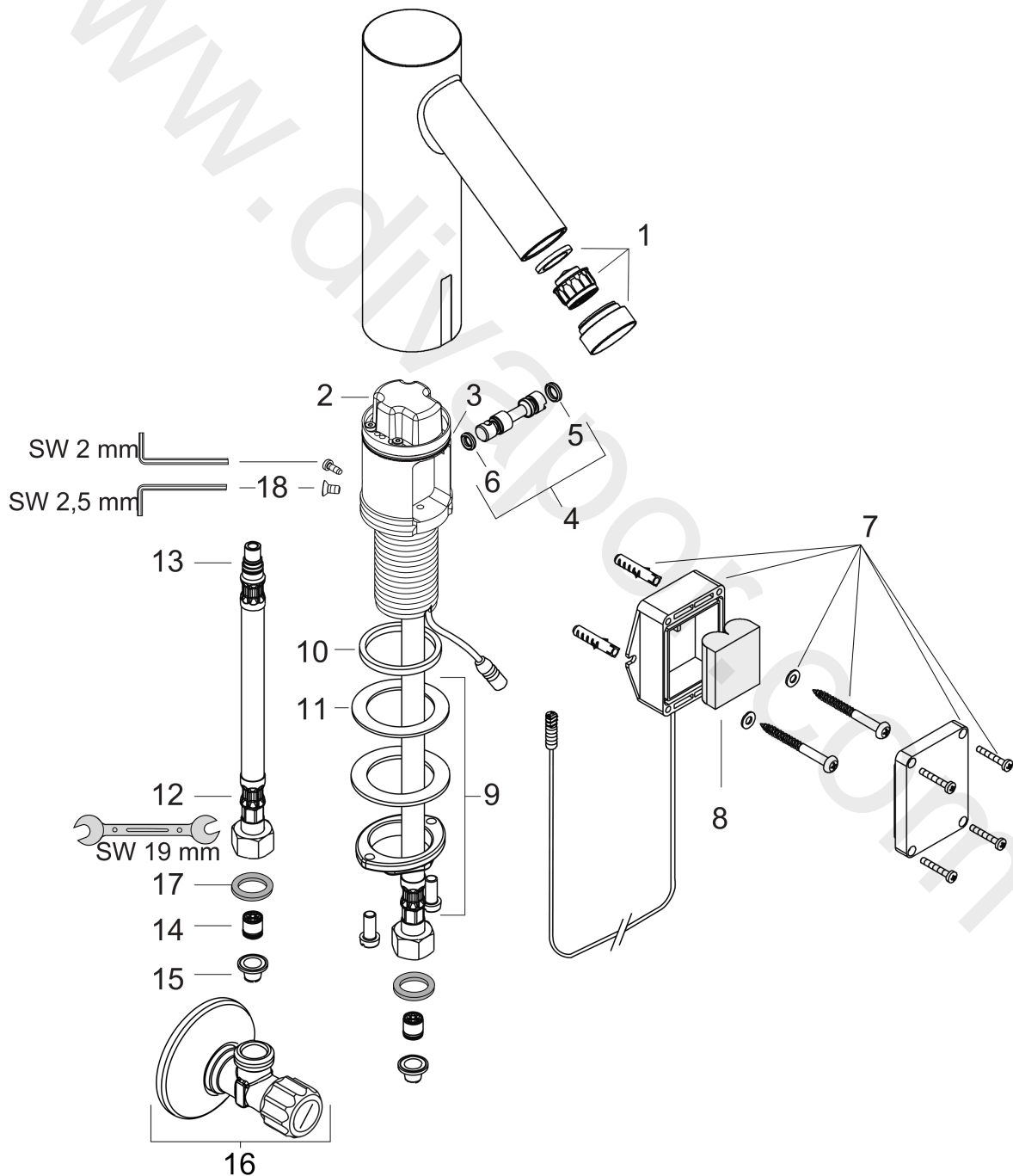


AXOR Starck
Electronic basin mixer with temperature pre-adjustment battery-operated
 Surfaces: Article Number: **10106000**



Exploded Drawing

Year of production: **06/07 - 12/09**



AXOR Starck

Electronic basin mixer with temperature pre-adjustment battery-operated

Surfaces: Article Number: **10106000**



Spare part list

Year of production: **06/07 - 12/09**

Pos.		Article Number	Price	PU
1	aerator M24x1 (6 l/min)	98989000	£ 43,00	1
2	electronics incl. solenoid valve	98799000	£ 585,00	1
3	O-ring 40x2,5	98399000	£ 3,30	1
4	mixing shaft	92209000	£ 64,00	1
5	O-ring 6x2	98458000	£ 3,30	1
6	O-ring 5x2	98215000	£ 3,30	1
7	battery box	98801000	£ 51,00	1
8	battery CR-P2 / 6V lithium	97399000	-	1
9	fixing set (Ø 32)	13961000	£ 25,00	1
10	sealing washer	97825000	£ 3,30	1
11	lever collar	97548000	£ 3,30	1
12	connection hose 450 mm M8x0,75 G3/8	98809000	£ 51,00	1
13	O-ring 7x1,5	98422000	£ 3,30	1
14	non return valve DW 10	96456000	£ 9,00	1
15	filter packing	95291000	£ 13,30	1
16	angle valve with microfilter	13904000	£ 48,00	1
17	sealing set	95581000	£ 6,10	1
18	screw	93272000	£ 3,30	1
a	fixation extension 35 mm	13898000	£ 79,00	1