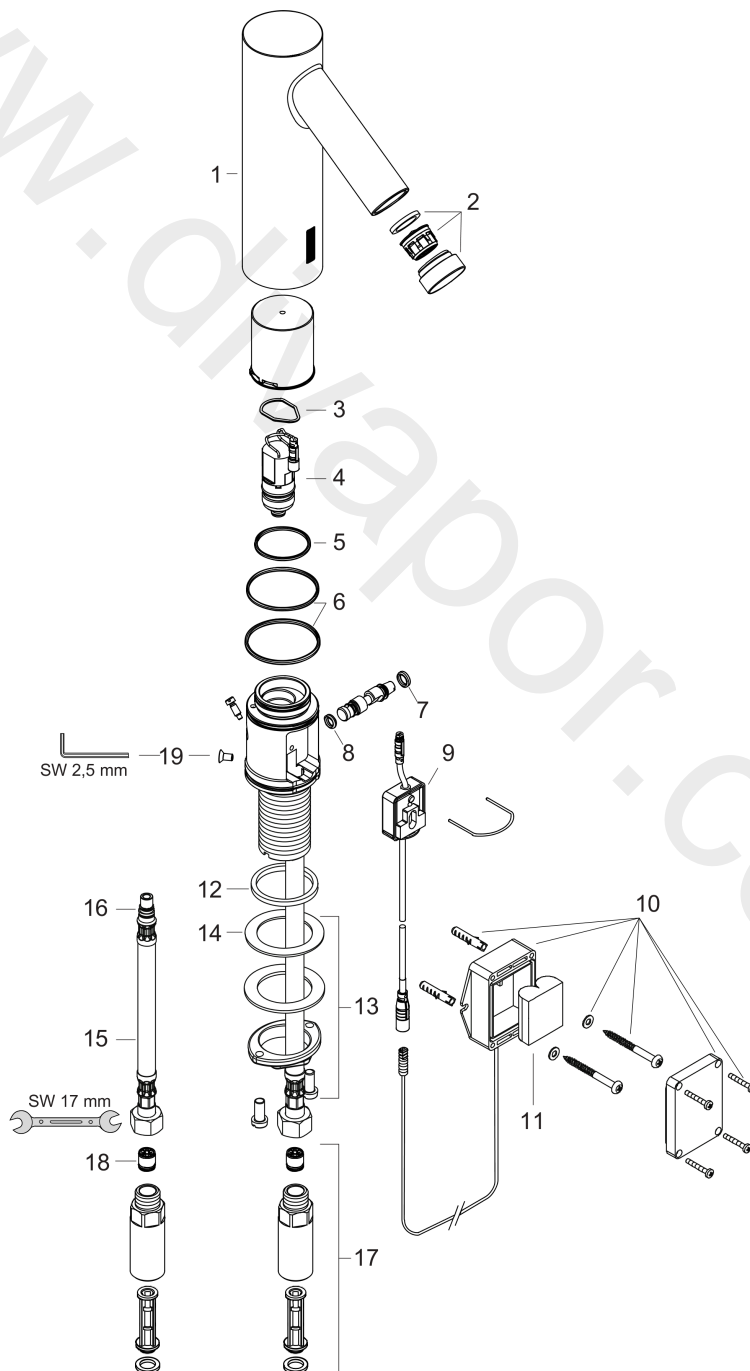


AXOR Starck
Electronic basin mixer with temperature pre-adjustment battery-operated
Surfaces: Article Number: **10106000**



Exploded Drawing

Year of production: **09/14 - 01/16**



AXOR Starck
Electronic basin mixer with temperature pre-adjustment battery-operated
 Surfaces: Article Number: **10106000**



Spare part list

Year of production: **09/14 - 01/16**

Pos.		Article Number	Price	PU
1	mixer-hood	92302000	£ 370,00	1
2	aerator M24x1 (5 l/min)	95379000	£ 43,00	1
3	O-ring 17x2	98199000	£ 3,30	1
4	solenoid valve	95654000	£ 173,00	1
5	O-ring 31x2	98204000	£ 6,10	1
6	O-ring 41x2	98212000	£ 3,30	1
7	O-ring 6x2	98458000	£ 3,30	1
8	O-ring 5x2	98215000	£ 3,30	1
9	electronics	92346000	£ 173,00	1
10	battery box	98801000	£ 51,00	1
11	battery CR-P2 / 6V lithium	97399000	-	1
12	flat seal	98749000	£ 6,10	1
13	fixing set (Ø 32)	13961000	£ 25,00	1
14	lever collar	97548000	£ 3,30	1
15	connection hose 450 mm	92345000	£ 35,00	1
16	O-ring 7x1,5	98422000	£ 3,30	1
17	back flow preventor cartridge with microfilter	92297000	£ 96,00	1
18	non return valve DW 10	96456000	£ 9,00	1
19	screw	93272000	£ 3,30	1
a	fixation extension 35 mm	13898000	£ 79,00	1