

AXOR Starck
Bath spout
 Finish: **Chrome** Article Number: **10410000**



product features

- 1 function
- projection: 122 mm
- maximum flow rate at 3 bar: 20 l/min
- connection dimension: device connection DN20
- spray type: normal spray
- WRAS 2207706
- WRAS 2207706 - Approval letter

Article Details

Price excl. VAT 196,67 £

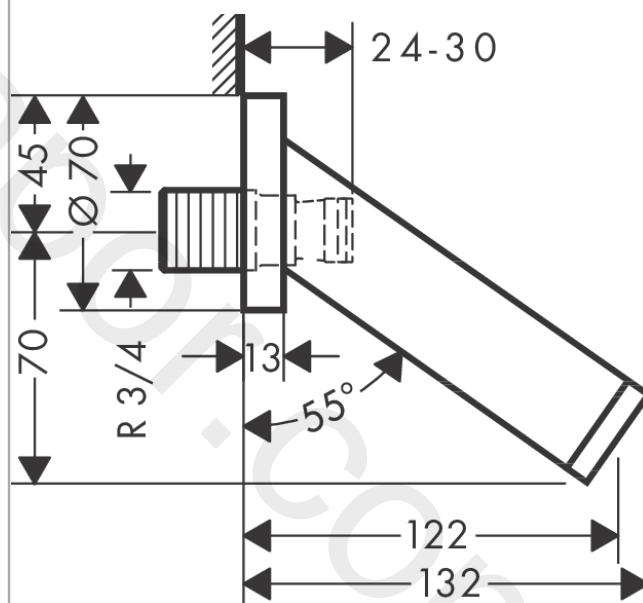
Technology



Product image



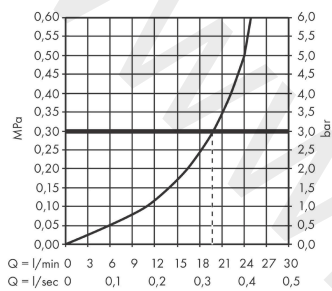
Scale drawing



AXOR Starck
Bath spout
Finish: **Chrome** Article Number: **10410000**



Flowchart



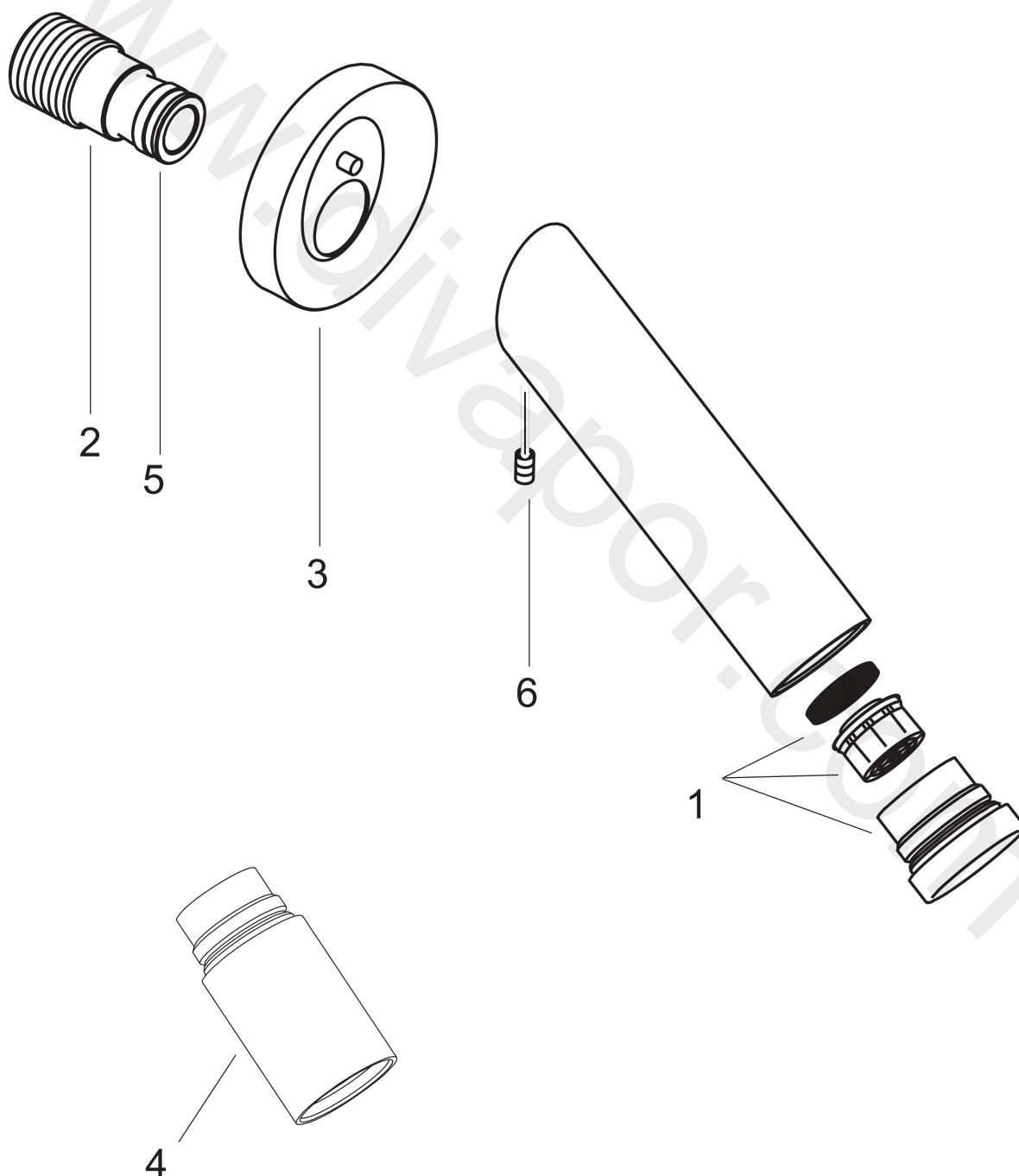
The consumption was measured in combination with the appropriate fittings (thermosta/mixer/
in-wall valve) to reflect actual application in practice.

AXOR Starck
Bath spout
Finish: **Chrome** Article Number: **10410000**



Exploded Drawing

Year of production: >08/94



AXOR Starck
Bath spout
 Finish: **Chrome** Article Number: **10410000**



Spare part list

Year of production: >08/94

Pos.		Article Number	Price	PU
1	aerator M30x1 (25 l/min)	94034000	£ 43,00	1
2	connecting thread G $\frac{3}{4}$	96472000	£ 20,50	1
3	escutcheon	96424000	£ 43,00	1
4	extension set 50 mm	10495000	£ 120,00	1
5	O-ring 16x2,5	98134000	£ 3,30	1
6	hollow set screw M6x8	97810000	£ 3,30	1
a	connecting thread G $\frac{1}{2}$	97228000	£ 51,00	1