

Basic set for mixers floor-standing

Finish: Article Number: **10452180**



product features

- for mounting on unfinished floor
- suitable for single lever bath mixer, single lever basin mixer and bath spout floor-standing
- connection dimension: DN15
- minimum mounting depth: 53 mm
- maximum mounting depth: 133 mm
- WRAS 1905018

Article Details

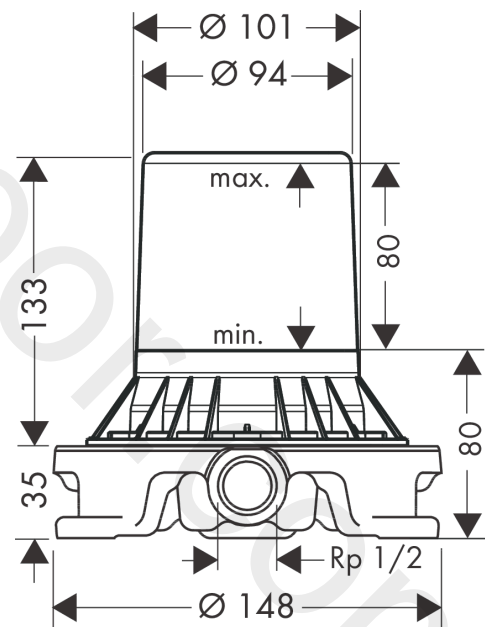
Price excl. VAT

479,17 £

Product image



Scale drawing



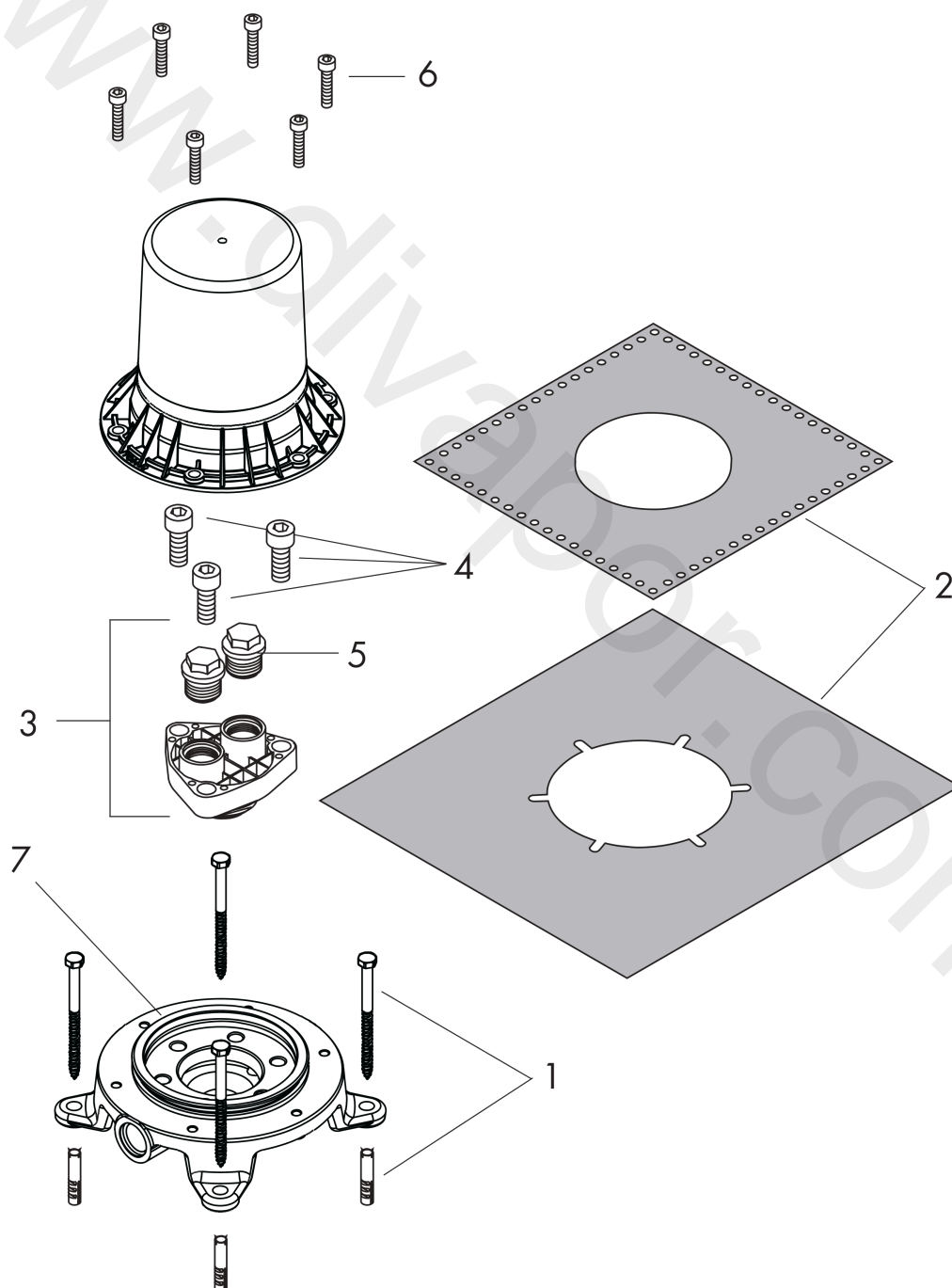
Basic set for mixers floor-standing

Finish: Article Number: 10452180



Exploded Drawing

Year of production: >01/07



Basic set for mixers floor-standing

Finish: Article Number: **10452180**



Spare part list

Year of production: >01/07

| Pos. | | Article Number | Price | PU |
|------|-----------------------------|----------------|----------|----|
| 1 | mounting kit | 96260000 | £ 43,00 | 1 |
| 2 | sealing foil | 96441000 | £ 173,00 | 1 |
| 3 | flushing unit complete | 96459000 | £ 43,00 | 1 |
| 4 | hexagon socket screw M10x35 | 97670000 | £ 16,10 | 1 |
| 5 | O-ring 15x2,5 | 98131000 | £ 3,30 | 1 |
| 6 | hexagon socket screw M6x16 | 92857000 | £ 3,30 | 1 |
| 7 | O-ring 99x3,5 | 92154000 | £ 9,00 | 1 |