

AXOR Starck X
Single lever shower mixer for concealed installation
Finish: **Chrome** Article Number: **10645000**



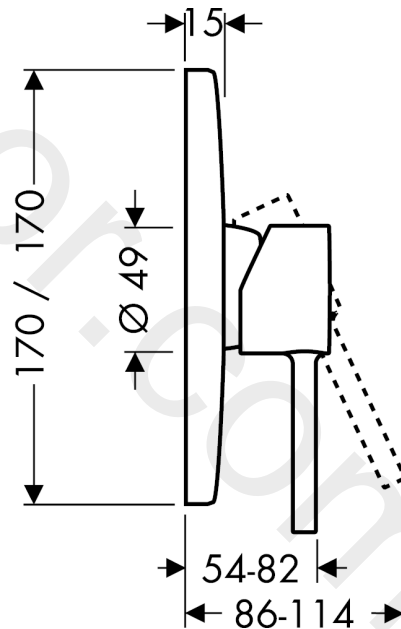
product features

- 1 function
- maximum flow rate at 3 bar: 29 l/min
- ceramic cartridge
- temperature limitation adjustable
- with silencer
- suitable for continuous flow water heaters
- min. operating pressure: 1 bar
- max. operating pressure: 10 bar
- connection type: basic set
- WRAS 1905003

Product image



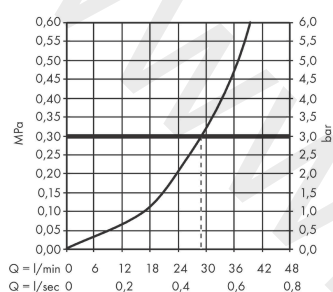
Scale drawing



AXOR Starck X
Single lever shower mixer for concealed installation
Finish: **Chrome** Article Number: **10645000**



Flowchart

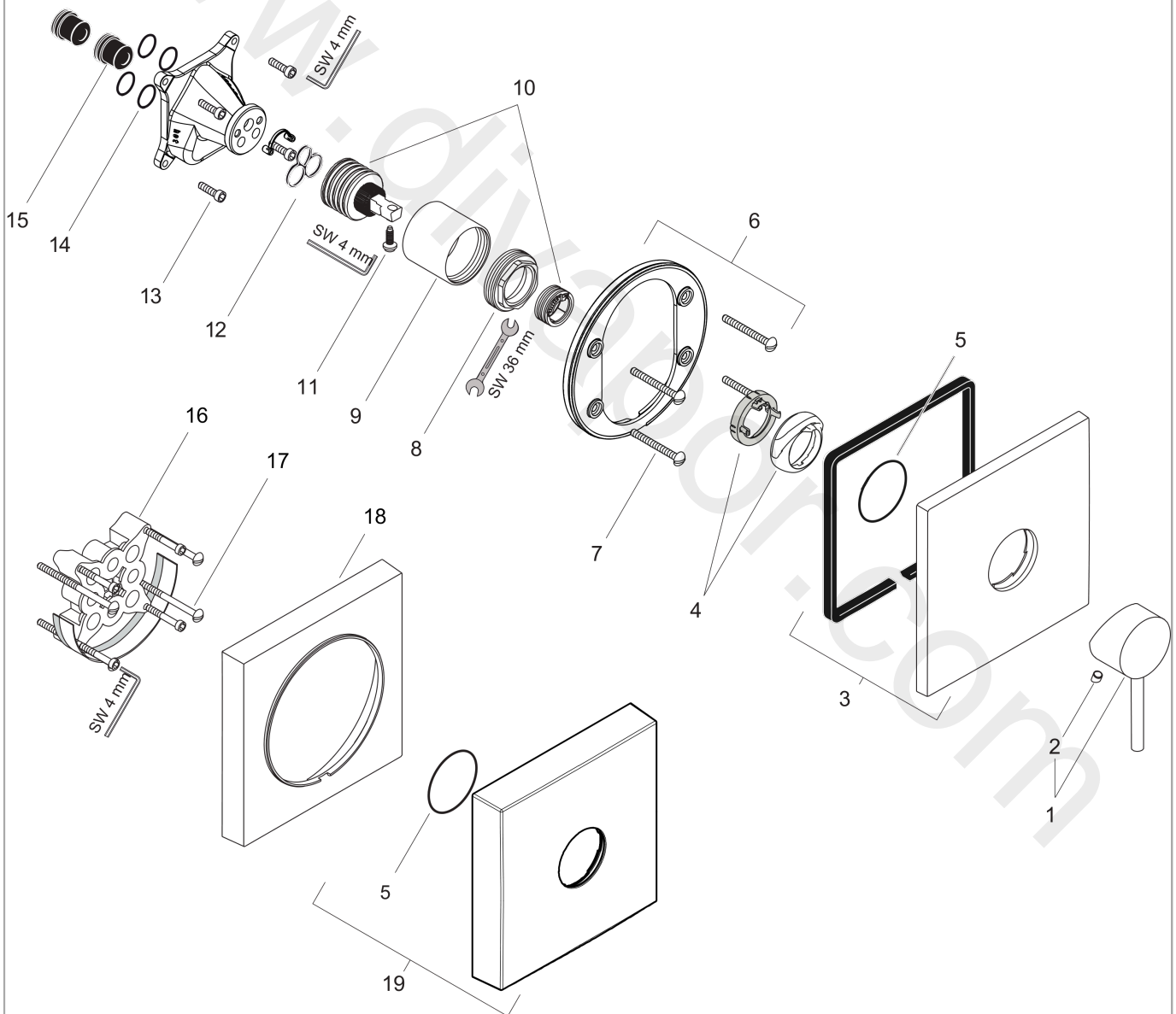


AXOR Starck X
Single lever shower mixer for concealed installation
 Finish: **Chrome** Article Number: **10645000**



Exploded Drawing

Year of production: >05/12



AXOR Starck X
Single lever shower mixer for concealed installation
 Finish: **Chrome** Article Number: **10645000**



Spare part list

Year of production: >05/12

Pos.		Article Number	Price	PU
1	handle	10490000	£ 110,00	1
2	screw cover	96338000	£ 3,30	1
3	escutcheon	97449000	£ 79,00	1
4	flange (Rotating Protector)	96395000	£ 43,00	1
5	O-Ring 48x3	95508000	£ 3,30	1
6	holder for escutcheon	98793000	£ 43,00	1
7	set of fixing screws	96454000	£ 9,00	1
8	nut	96461000	£ 35,00	1
9	sleeve	95980000	£ 79,00	1
10	cartridge, assy	92730000	£ 35,00	1
11	locking screw for handle	95140000	£ 6,10	1
12	seal	95008000	£ 9,00	1
13	set of screws	96525000	£ 9,00	1
14	O-ring 16x2	98133000	£ 3,30	1
15	noise reduction	94073000	£ 25,00	1
16	extension 25 mm	13595000	£ 75,00	1
17	set of fixing screws	97747000	£ 3,30	1
18	extension 22 mm	97407000	£ 72,00	1
19	escutcheon height = 33 mm (when wall is not deep enough).	14965000	£ 92,00	1
a	concealed item	01800180	£ 163,00	1
b	adapter for exchanged connections	93181000	£ 275,00	1