

AXOR Starck
Thermostat for concealed installation with shut-off valve
 Finish: **Chrome** Article Number: **10700000**



product features

- 1 function
- thermostat cartridge, ceramic valves 90°
- maximum flow rate at 3 bar: 25 l/min
- min. operating pressure: 1 bar
- max. operating pressure: 10 bar
- safety stop at 40 °C
- temperature limitation adjustable
- non-return valve
- with silencer
- connection type: basic set

Article Details

Price excl. VAT

758,33 £

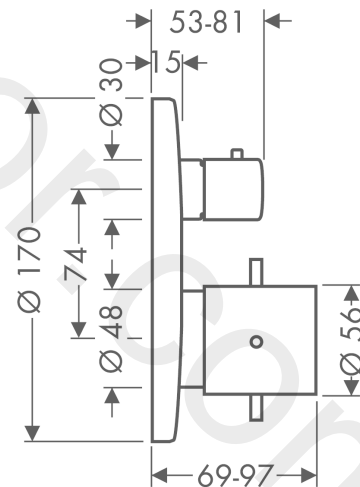
Technology



Product image



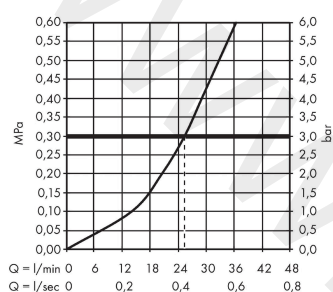
Scale drawing



AXOR Starck
Thermostat for concealed installation with shut-off valve
Finish: **Chrome** Article Number: **10700000**



Flowchart

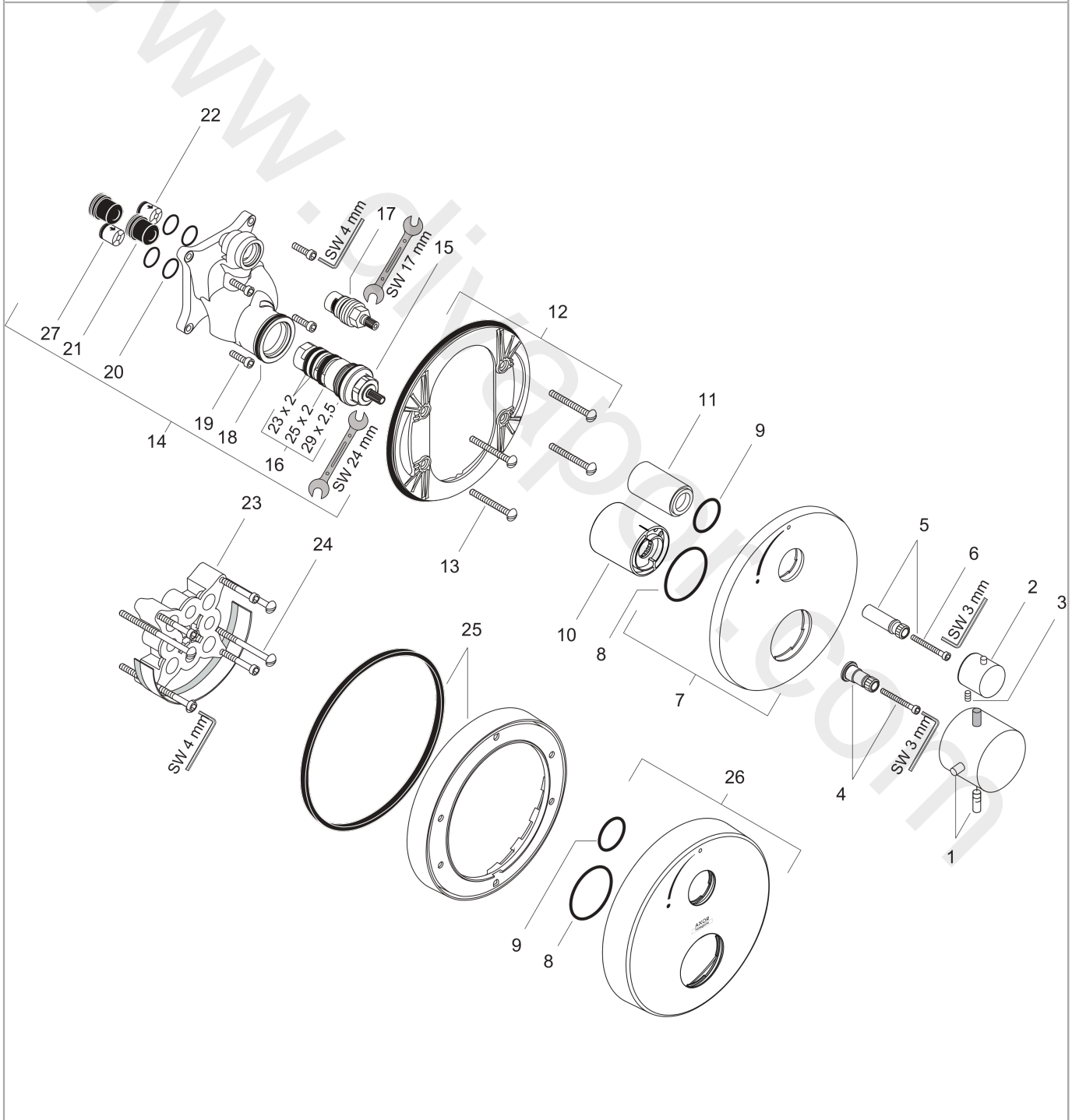


AXOR Starck
Thermostat for concealed installation with shut-off valve
 Finish: **Chrome** Article Number: **10700000**



Exploded Drawing

Year of production: >06/11



AXOR Starck
Thermostat for concealed installation with shut-off valve
 Finish: **Chrome** Article Number: **10700000**



Spare part list

Year of production: >06/11

Pos.		Article Number	Price	PU
1	handle for thermostat	10391000	£ 110,00	1
2	handle	96520000	£ 64,00	1
3	hollow set screw M4x8	97669000	£ 3,30	1
4	adapter for handle	96435000	£ 20,50	1
5	adapter for handle	96451000	£ 16,10	1
6	hexagon socket screw M4x35	92160000	£ 3,30	1
7	escutcheon Ø 170 mm	95804000	£ 137,00	1
8	O-Ring 48x3	95508000	£ 3,30	1
9	O-ring 29x3	98371000	£ 6,10	1
10	sleeve	96439000	£ 43,00	1
11	sleeve	96446000	£ 35,00	1
12	sub plate	96447000	£ 51,00	1
13	set of fixing screws	96454000	£ 9,00	1
14	installation unit cpl.	92760000	£ 275,00	1
15	thermostat cartridge	94282000	£ 137,00	1
16	sealing set	95037000	£ 51,00	1
17	shut off unit right closing	94009000	£ 43,00	1
18	O-ring 39x2	98158000	£ 3,30	1
19	set of screws	96525000	£ 9,00	1
20	O-ring 16x2	98133000	£ 3,30	1
21	noise reduction	94073000	£ 25,00	1
22	set of non return valves DW 15	94074000	£ 16,10	1
23	extension 25 mm	13595000	£ 75,00	1
24	set of fixing screws	97747000	£ 3,30	1
25	extension 22 mm (Ø 170 mm)	13596000	£ 72,00	1
26	escutcheon height = 33 mm (when wall is not deep enough).	14963000	£ 71,00	1
27	non return valve (pressure-resistant up to 2 MPa)	92594000	£ 16,10	1
a	concealed item	01800180	£ 163,00	1
b	adapter for exchanged connections	93181000	£ 275,00	1
c	non return valve with filter	92499000	£ 16,10	1