

**AXOR Starck**  
**Thermostat for concealed installation**  
 Finish: **Chrome** Article Number: **10710000**



### product features

- thermostat cartridge
- maximum flow rate at 3 bar: 43 l/min
- min. operating pressure: 1 bar
- max. operating pressure: 10 bar
- safety stop at 40 °C
- temperature limitation adjustable
- non-return valve
- with silencer
- connection type: basic set
- WRAS 1907028

### Article Details

Price excl. VAT 608,33 £

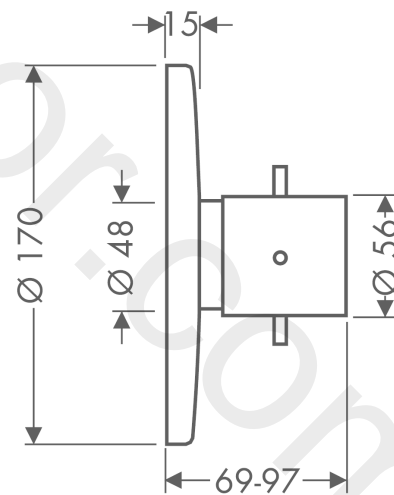
### Technology



### Product image



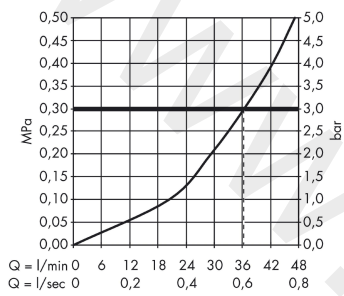
### Scale drawing



**AXOR Starck**  
**Thermostat for concealed installation**  
Finish: **Chrome** Article Number: **10710000**



## Flowchart

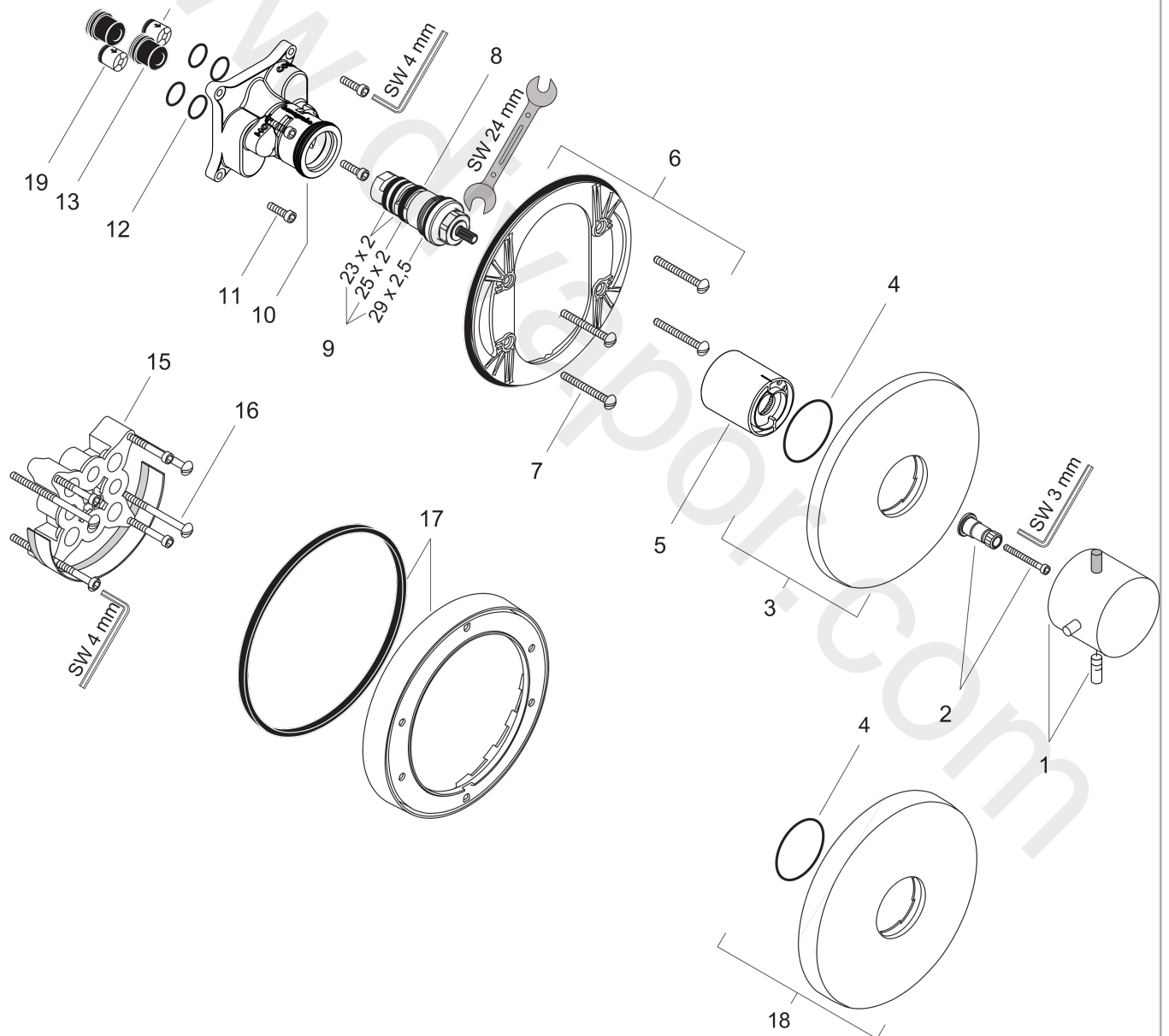


**AXOR Starck**  
**Thermostat for concealed installation**  
Finish: **Chrome** Article Number: **10710000**



## Exploded Drawing

Year of production: >06/11



**AXOR Starck**  
**Thermostat for concealed installation**  
 Finish: **Chrome** Article Number: **10710000**



## Spare part list

Year of production: >06/11

Pos.		Article Number	Price	PU
1	handle for thermostat	10391000	£ 110,00	1
2	adapter for handle	96435000	£ 20,50	1
3	escutcheon Ø 170 mm	95803000	£ 137,00	1
4	O-ring 48x5	98174000	£ 3,30	1
5	sleeve	96439000	£ 43,00	1
6	sub plate	96447000	£ 51,00	1
7	set of fixing screws	96454000	£ 9,00	1
8	thermostat cartridge	94282000	£ 137,00	1
9	sealing set	95037000	£ 51,00	1
10	O-ring 39x2	98158000	£ 3,30	1
11	set of screws	96525000	£ 9,00	1
12	O-ring 16x2	98133000	£ 3,30	1
13	noise reduction	94073000	£ 25,00	1
14	set of non return valves DW 15	94074000	£ 16,10	1
15	extension 25 mm	13595000	£ 75,00	1
16	set of fixing screws	97747000	£ 3,30	1
17	extension 22 mm (Ø 170 mm)	13596000	£ 72,00	1
18	escutcheon height = 33 mm (when wall is not deep enough).	14960000	£ 71,00	1
19	non return valve (pressure-resistant up to 2 MPa)	92594000	£ 16,10	1
a	concealed item	01800180	£ 163,00	1
b	adapter for exchanged connections	93181000	£ 275,00	1
c	non return valve with filter	92499000	£ 16,10	1