

AXOR ShowerSolutions
Thermostatic module 120/120 for concealed installation square
Finish: **Chrome** Article Number: **10755000**



product features

- thermostat cartridge
- maximum flow rate at 3 bar: 59 l/min
- min. operating pressure: 1,5 bar
- max. operating pressure: 10 bar
- safety stop at 40 °C
- temperature limitation adjustable
- non-return valve
- connection dimension: DN20
- connection type: basic set

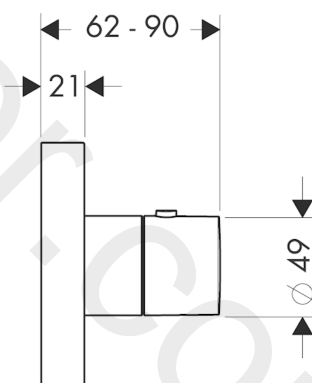
Article Details

Price excl. VAT 758,33 £

Product image



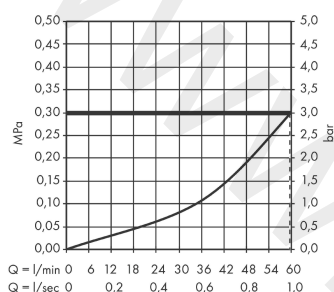
Scale drawing



AXOR ShowerSolutions
Thermostatic module 120/120 for concealed installation square
Finish: **Chrome** Article Number: **10755000**



Flowchart

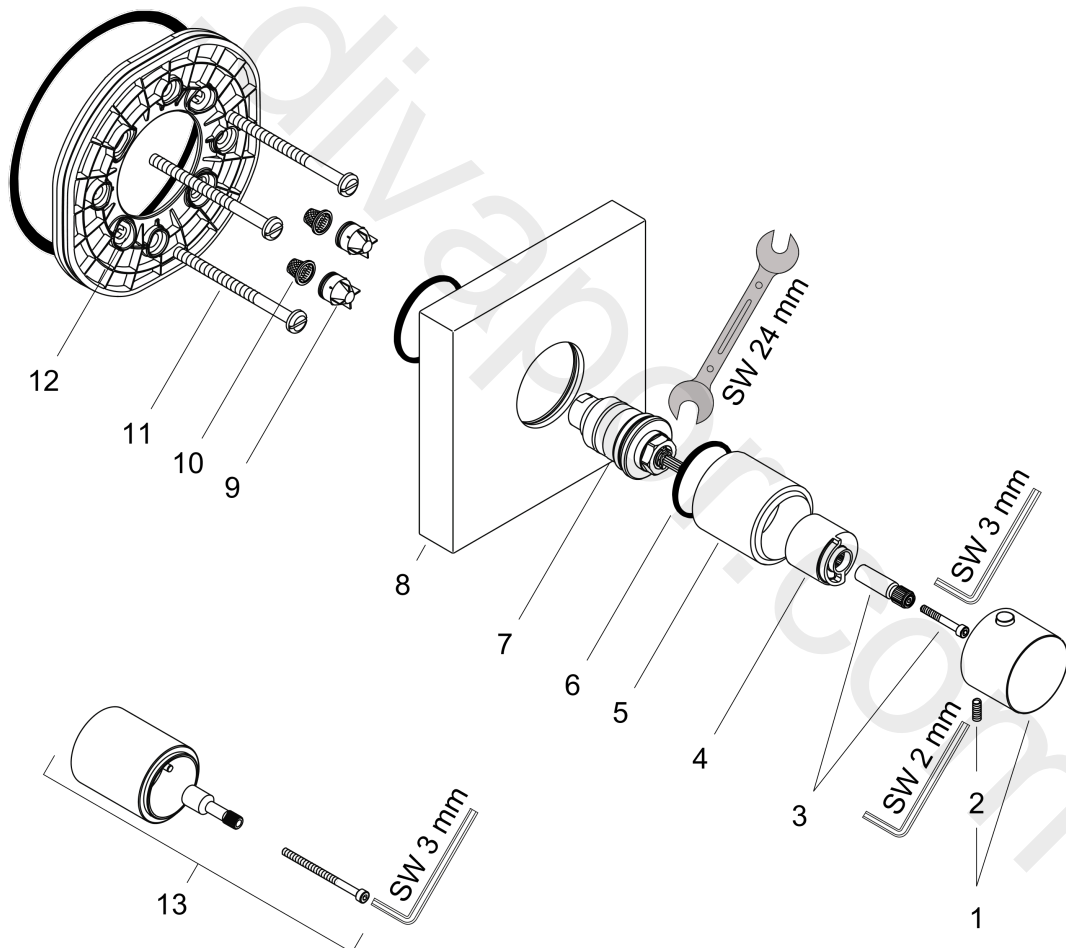


AXOR ShowerSolutions
Thermostatic module 120/120 for concealed installation square
Finish: **Chrome** Article Number: **10755000**



Exploded Drawing

Year of production: >06/09



AXOR ShowerSolutions
Thermostatic module 120/120 for concealed installation square
 Finish: **Chrome** Article Number: **10755000**



Spare part list

Year of production: >06/09

Pos.		Article Number	Price	PU
1	handle for thermostat	95316000	£ 137,00	1
2	hollow set screw M4x16	97663000	£ 3,30	1
3	adapter for handle	98701000	£ 9,00	1
4	safety set for temperature control	97334000	£ 13,30	1
5	sleeve	95331000	£ 64,00	1
6	O-ring 28x2,5	98209000	£ 3,30	1
7	thermostat cartridge	96633000	£ 137,00	1
8	escutcheon	95467000	£ 173,00	1
9	set of non return valves DW 15	97350000	£ 20,50	1
10	filter	97973000	£ 16,10	1
11	set of fixing screws	96454000	£ 9,00	1
12	sub plate	95450000	£ 16,10	1
13	extension 25 mm	10790000	£ 142,00	1
a	concealed item	10754180	£ 455,00	1