

AXOR Starck Organic
Electronic basin mixer with temperature pre-adjustment battery-operated
 Finish: **Chrome** Article Number: **12172000**



product features

- ComfortZone 90
- spray type: shower spray
- maximum flow rate at 3 bar: 3,5 l/min
- with isolated water conduction - without contact with nickel and lead
- suitable for continuous flow water heaters
- infrared sensor technology
- automatic environmental adjustment of infrared sensor
- adjustable optical range of infrared sensor (2 settings)
- battery operation 6V (lifetime approx. 2 years, battery included in scope of supply)
- running time: 10 s
- hygiene rinse activatable (automatic water flow)
- frequency of hygiene rinse: 24 h
- flushing time hygiene rinse: 10 s
- permanent rinse activatable (single water flow for 180 seconds, suitable for thermal disinfection)
- cleaning mode: manual water stop for washbasin cleaning
- connection dimension: DN15
- dirt filters in the connection hoses
- EU taxonomy: max. 6 l/min - Substantial Contribution (SC)

Article Details

Price excl. VAT

1.025,00 £

Technology



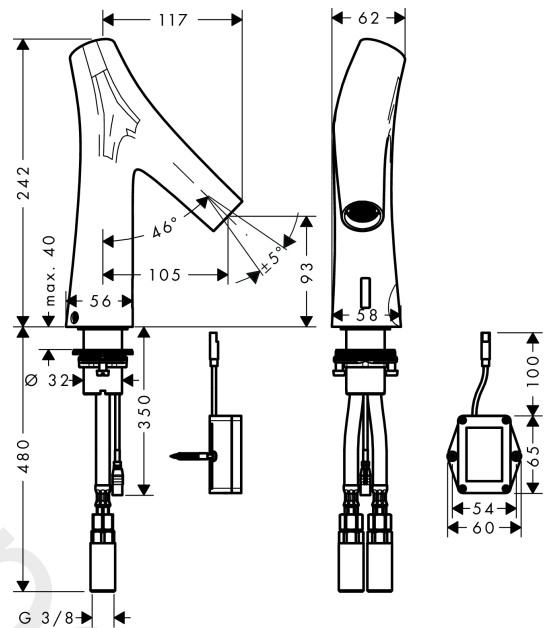
AXOR Starck Organic
Electronic basin mixer with temperature pre-adjustment battery-operated
 Finish: **Chrome** Article Number: **12172000**



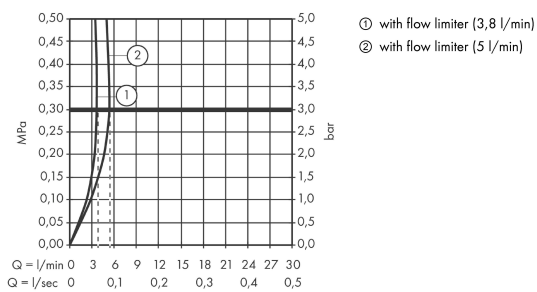
Product image



Scale drawing



Flowchart

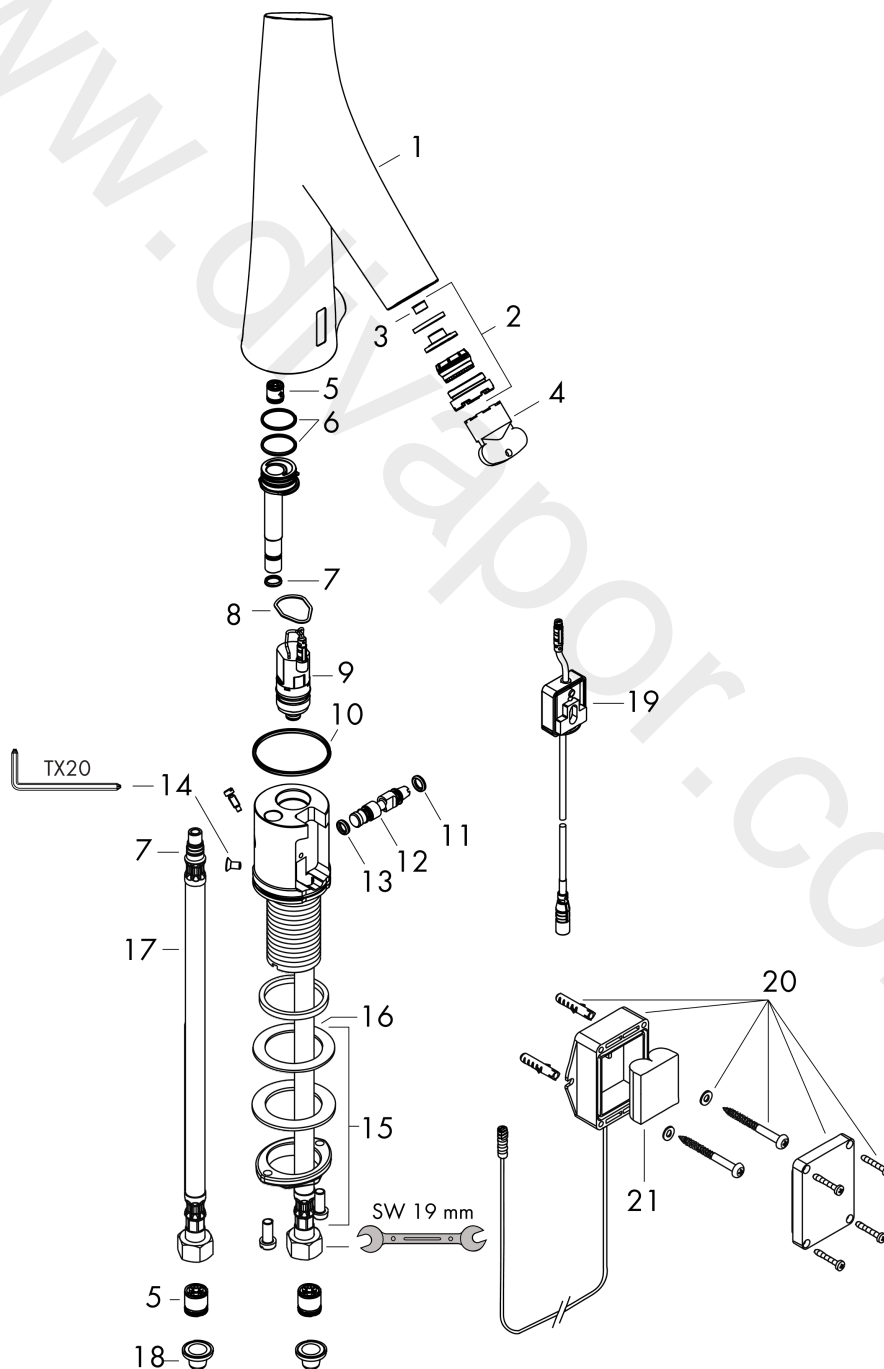


AXOR Starck Organic
Electronic basin mixer with temperature pre-adjustment battery-operated
 Finish: **Chrome** Article Number: **12172000**



Exploded Drawing

Year of production: >04/21



AXOR Starck Organic
Electronic basin mixer with temperature pre-adjustment battery-operated
 Finish: **Chrome** Article Number: **12172000**



Spare part list

Year of production: >04/21

Pos.		Article Number	Price	PU
1	mixer-hood	92809000	£ 585,00	1
2	spray former	92408000	£ 137,00	1
3	flow limiter (4 l/min)	92560000	-	1
4	special tool	95158000	£ 6,10	1
5	non return valve DW 10	96456000	£ 9,00	1
6	O-ring 18x1,5	98231000	£ 3,30	1
7	O-ring 7x1,5	98422000	£ 3,30	1
8	O-ring 17x2	98199000	£ 3,30	1
9	solenoid valve	95654000	£ 173,00	1
10	O-ring 41x2	98212000	£ 3,30	1
11	O-ring 6x2	98458000	£ 3,30	1
12	mixing shaft	92377000	£ 79,00	1
13	O-ring 5x2	98215000	£ 3,30	1
14	screw	93272000	£ 3,30	1
15	fixing set (Ø 32)	13961000	£ 25,00	1
16	lever collar	97548000	£ 3,30	1
17	connection hose 450 mm	92345000	£ 35,00	1
18	filter packing	95291000	£ 13,30	1
19	electronics	92346000	£ 173,00	1
20	battery box	98801000	£ 51,00	1
21	battery CR-P2 / 6V lithium	97399000	-	1
a	fixation extension 35 mm	13898000	£ 79,00	1
b	flow limiter (5 l/min)	95311000	£ 6,10	1