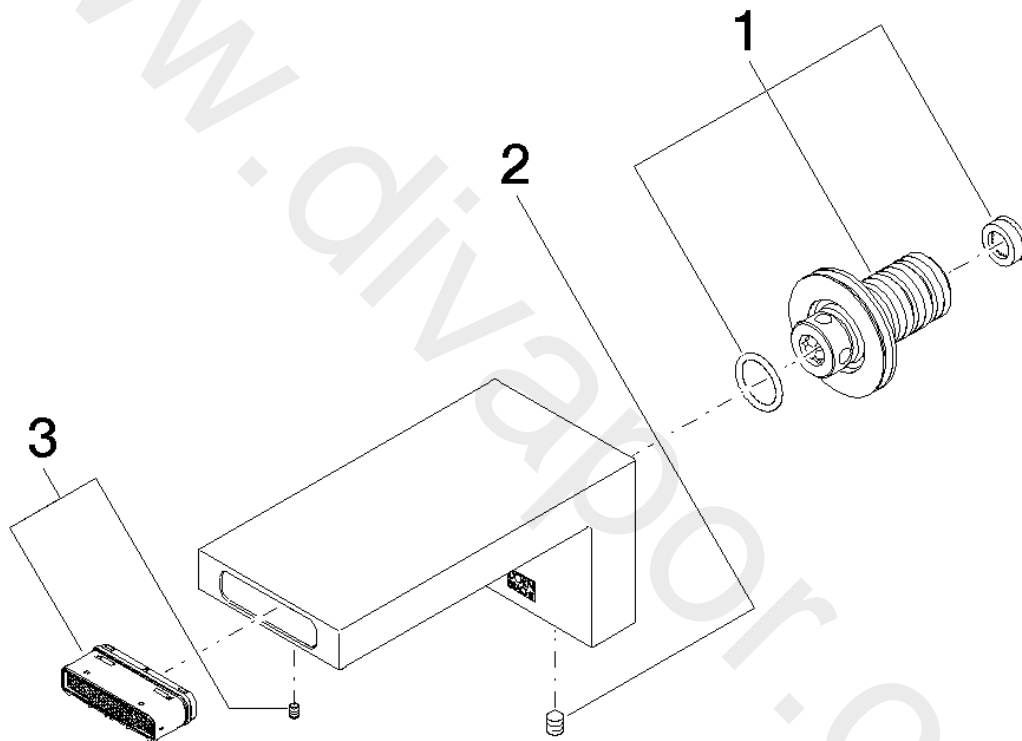


Sink - DEQUE

Lavatory spout, wall-mounted without drain - Chrome

Article number: 13 800 740-00 0010

Date of manufacture from 3/11/2013



Spare parts list

Position	Number of units	Item Number	Spare part	Lead time
1	1	90 24 03 108 01 90	nipple set	2
2	1	04 31 11 004 00 90	pin	2
3	1	90 29 03 067 00 90	aerator	2



Sink - DEQUE

Lavatory spout, wall-mounted without drain - Chrome

Article number: 13 800 740-00 0010

Date of manufacture from 3/11/2013

www.divapor.com