

Ecostat

Shower thermostat Comfort for exposed installation HQ

Finish: **Chrome** Article Number: **13113000**



Description

product features

- 1 function
- volume control for 1 function
- ceramic valve 180°, thermostat cartridge
- maximum flow rate at 3 bar: 17 l/min
- min. operating pressure: 1 bar
- max. operating pressure: 10 bar
- safety stop at 40 °C
- temperature limitation adjustable
- non-return valve
- with silencer
- material handles: metal
- centre distance: 150 ± 12 mm
- connection dimension: DN15
- connection type: s-shaped connections
- dirt filter included
- WRAS 1904006

Article Details

Price excl. VAT

262,50 £

Technology



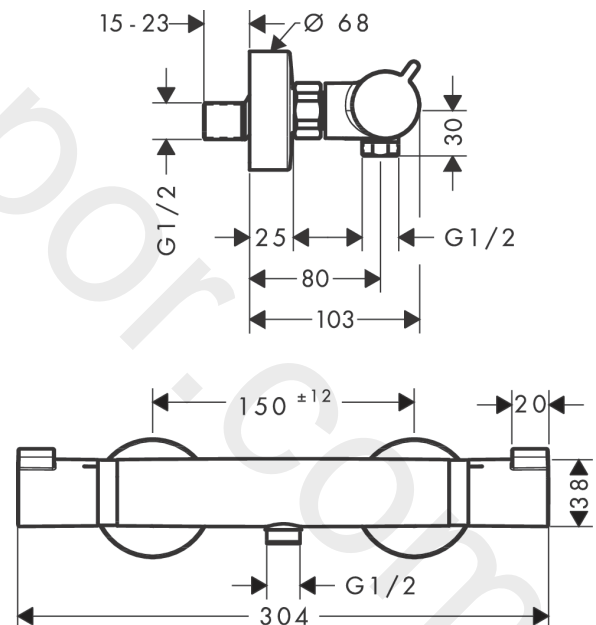
Certificates / Sustainability



Product image



Scale drawing



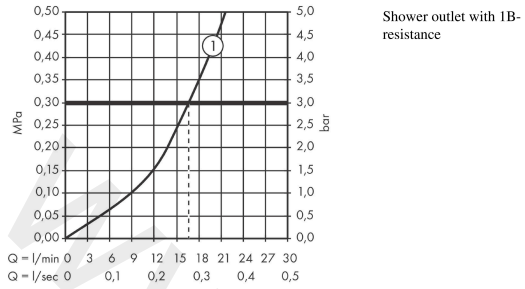
EcoStat

Shower thermostat Comfort for exposed installation HQ

Finish: **Chrome** Article Number: **13113000**



Flowchart



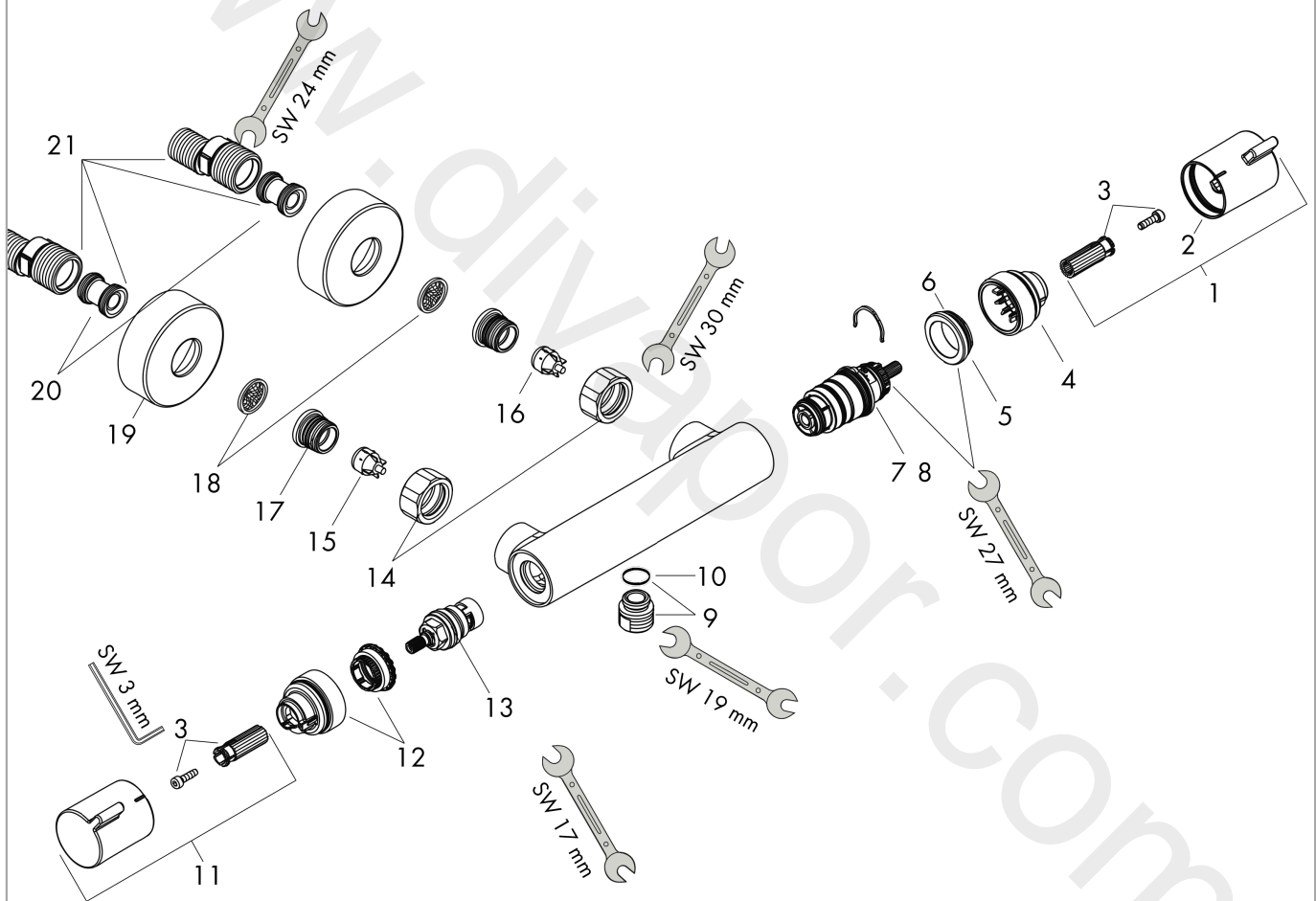
www.divapor.com

Ecostat
Shower thermostat Comfort for exposed installation HQ
 Finish: **Chrome** Article Number: **13113000**



Exploded Drawing

Year of production: >07/12



Ecostat**Shower thermostat Comfort for exposed installation HQ**Finish: **Chrome** Article Number: **13113000****Spare part list**

Year of production: >07/12

Pos.	Description	Article Number	Price	PU
1	handle	95836000	£ 35,00	1
2	pushbutton	92848000	£ 6,10	1
3	handle fixing set	95843000	£ 9,00	1
4	safety set	95839000	£ 20,50	1
5	nut	98913000	£ 20,50	1
6	O-ring 26x1,5	98390000	£ 3,30	1
7	thermostat cartridge	98282000	£ 110,00	1
8	cartridge for exchanged connections	92373000	£ 275,00	1
9	connecting thread	95392000	£ 20,50	1
10	O-ring 14x2	98129000	£ 3,30	1
11	handle	95845000	£ 43,00	1
12	safety set	95841000	£ 20,50	1
13	shut off unit	94149000	£ 35,00	1
14	set of nuts	96157000	£ 35,00	1
15	non return valve (pressure-resistant up to 2 MPa)	93136000	£ 35,00	1
16	non return valve	96737000	£ 35,00	1
17	O-ring 17x1,5	98137000	£ 3,30	1
18	filter packing	96922000	£ 9,00	1
19	escutcheon Ø 68 mm	96467000	£ 20,50	1
20	noise reduction	96429000	£ 6,10	1
21	set of S-unions (±12 mm)	94140000	£ 51,00	1
a	set of S-unions (±32 mm)	98592000	£ 43,00	1
b	brake disc	92469000	£ 9,00	1