

Talis S

Pillar tap 40 for cold water or pre-adjusted water without waste set

Finish: **Chrome** Article Number: **13132000**



Description

product features

- ComfortZone 40
- projection: 83 mm
- spout height: 35 mm
- handle variant: pin handle
- spray type: normal spray
- maximum flow rate at 3 bar: 5 l/min
- ceramic valves 90°
- for cold water connection
- connection type: G 3/8 connections
- connection dimension: DN15
- EU taxonomy: max. 6 l/min - Substantial Contribution (SC) possible
- WRAS 1812062
- WRAS 1812062
- WRAS 1812062 - Approval letter

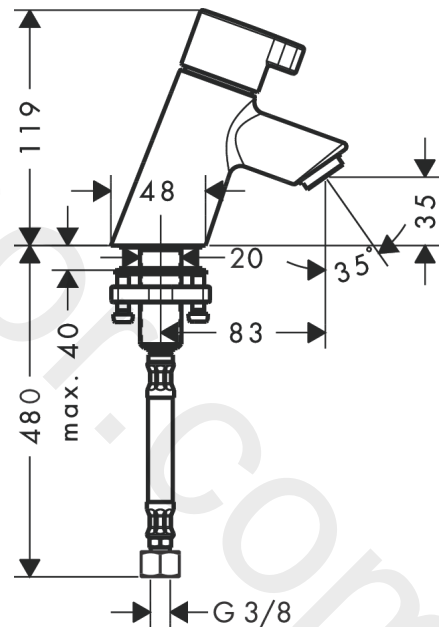
Technology



Product image



Scale drawing



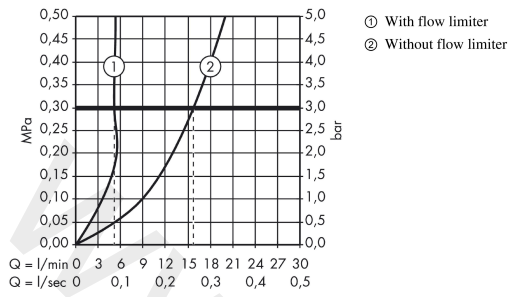
Talis S

Pillar tap 40 for cold water or pre-adjusted water without waste set

Finish: **Chrome** Article Number: **13132000**



Flowchart



Talis S

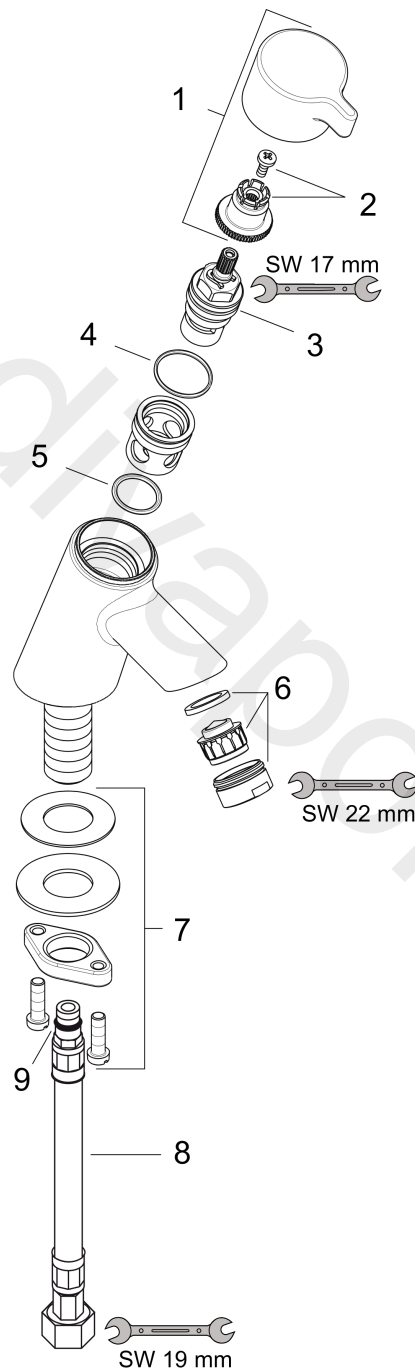
Pillar tap 40 for cold water or pre-adjusted water without waste set

Finish: **Chrome** Article Number: **13132000**



Exploded Drawing

Year of production: >10/10



Talis S**Pillar tap 40 for cold water or pre-adjusted water without waste set**Finish: **Chrome** Article Number: **13132000****Spare part list**

Year of production: >10/10

Pos.	Description	Article Number	Price	PU
1	handle	98618000	£ 51,00	1
2	handle fixing set	94184000	£ 6,10	1
3	shut off unit right closing	94009000	£ 43,00	1
4	O-ring 21,95x1,78	95169000	£ 3,30	1
5	O-ring 18x2	98181000	£ 6,10	1
6	aerator M24x1 (5 l/min)	13185000	£ 22,30	1
7	fixing set	94702000	£ 43,00	1
8	connection hose 450 mm M10x1 G3/8	96507000	£ 43,00	1
9	O-ring 8x1,75	97827000	£ 3,30	1
a	aerator M24x1 (3,5 l/min)	92508000	£ 20,50	1
b	aerator M24x1 (4,5 l/min)	92877000	£ 20,50	1
c	aerator swivelling M24x1 (5 l/min)	95928000	£ 35,00	1