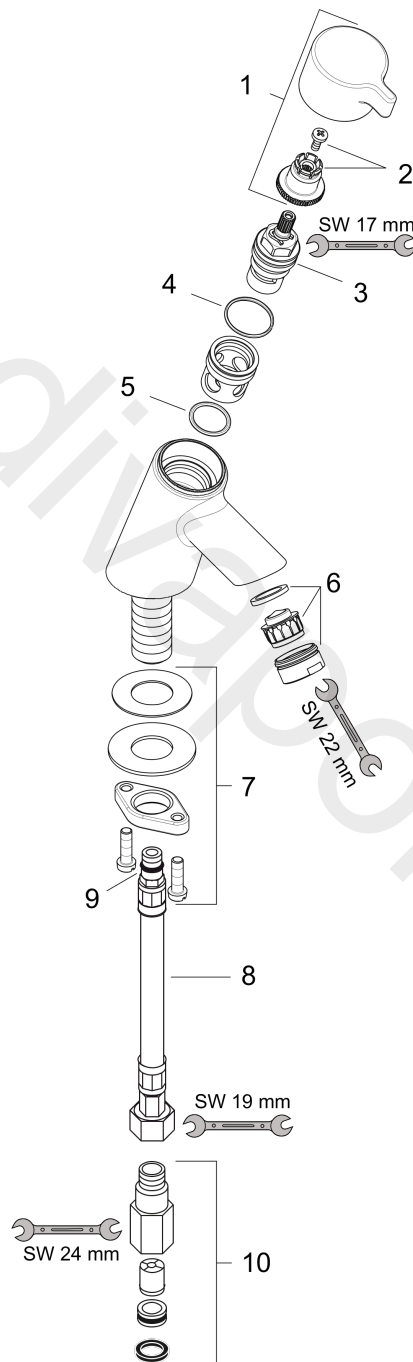


**Pillar tap 40 without waste set**  
 Surfaces: Article Number: 13132004



**Exploded Drawing**

Year of production: 10/06 - 02/12



**Pillar tap 40 without waste set**Surfaces: Article Number: **13132004****Spare part list**Year of production: **10/06 - 02/12**

Pos.	Description	Article Number	Price	PU
1	handle	98618000	£ 51,00	1
2	handle fixing set	94184000	£ 6,10	1
3	shut off unit right closing	94009000	£ 43,00	1
4	O-ring 21,95x1,78	95169000	£ 3,30	1
5	O-ring 18x2	98181000	£ 6,10	1
6	aerator M24x1 (7 l/min)	13085000	£ 13,30	1
7	back flow preventor cartridge	52054625	-	1
8	fixing set	94702000	£ 43,00	1
9	connection hose 450 mm M10x1 G3/8	96507000	£ 43,00	1
10	O-ring 8x1,75	97827000	£ 3,30	1