

**Ecostat Select**  
**Shower thermostat for exposed installation**  
 Finish: **Chrome** Article Number: **13161000**



### Description

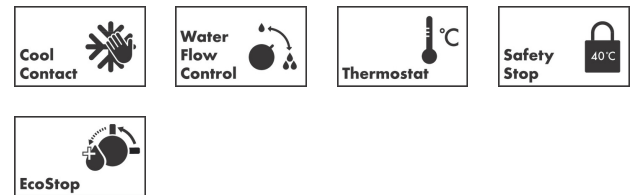
#### product features

- 1 function
- volume control for 1 function
- CoolContact thermostat: Prevents the housing from heating up, making showering even safer
- EcoStop button limits the water consumption to 10 l/min
- thermostat cartridge, ceramic valve 180°
- maximum flow rate at 3 bar: 12 l/min
- min. operating pressure: 1 bar
- max. operating pressure: 10 bar
- in case of installation on existing G 3/4 connections, adaptor no.02026000 must be used
- safety stop at 40 °C
- temperature limitation adjustable
- with isolated water conduction
- non-return valve
- with silencer
- shelf made of safety glass
- surface shelf: mirror glass
- material handles: metal
- centre distance: 150 ± 12 mm
- connection dimension: DN15
- connection type: s-shaped connections, G 1/2
- dirt filter included
- WRAS 2307009
- WRAS 2307009 - Approval letter 2307009

### Article Details

Price excl. VAT 458,33 £

### Technology



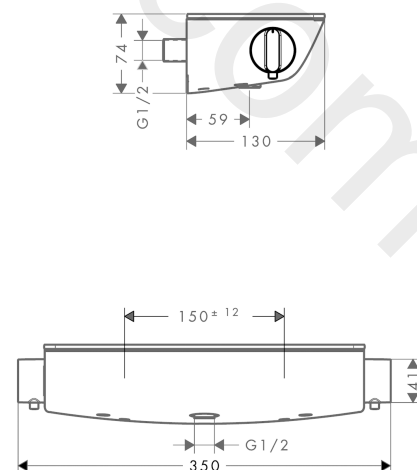
### Certificates / Sustainability



### Product image



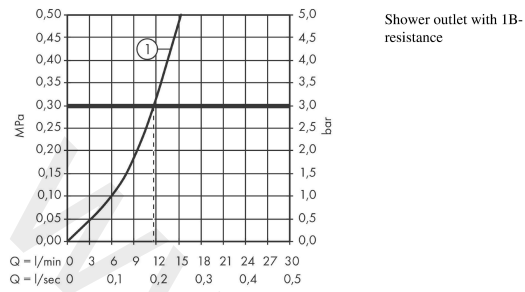
### Scale drawing



**Ecostat Select**  
**Shower thermostat for exposed installation**  
 Finish: **Chrome** Article Number: **13161000**



**Flowchart**



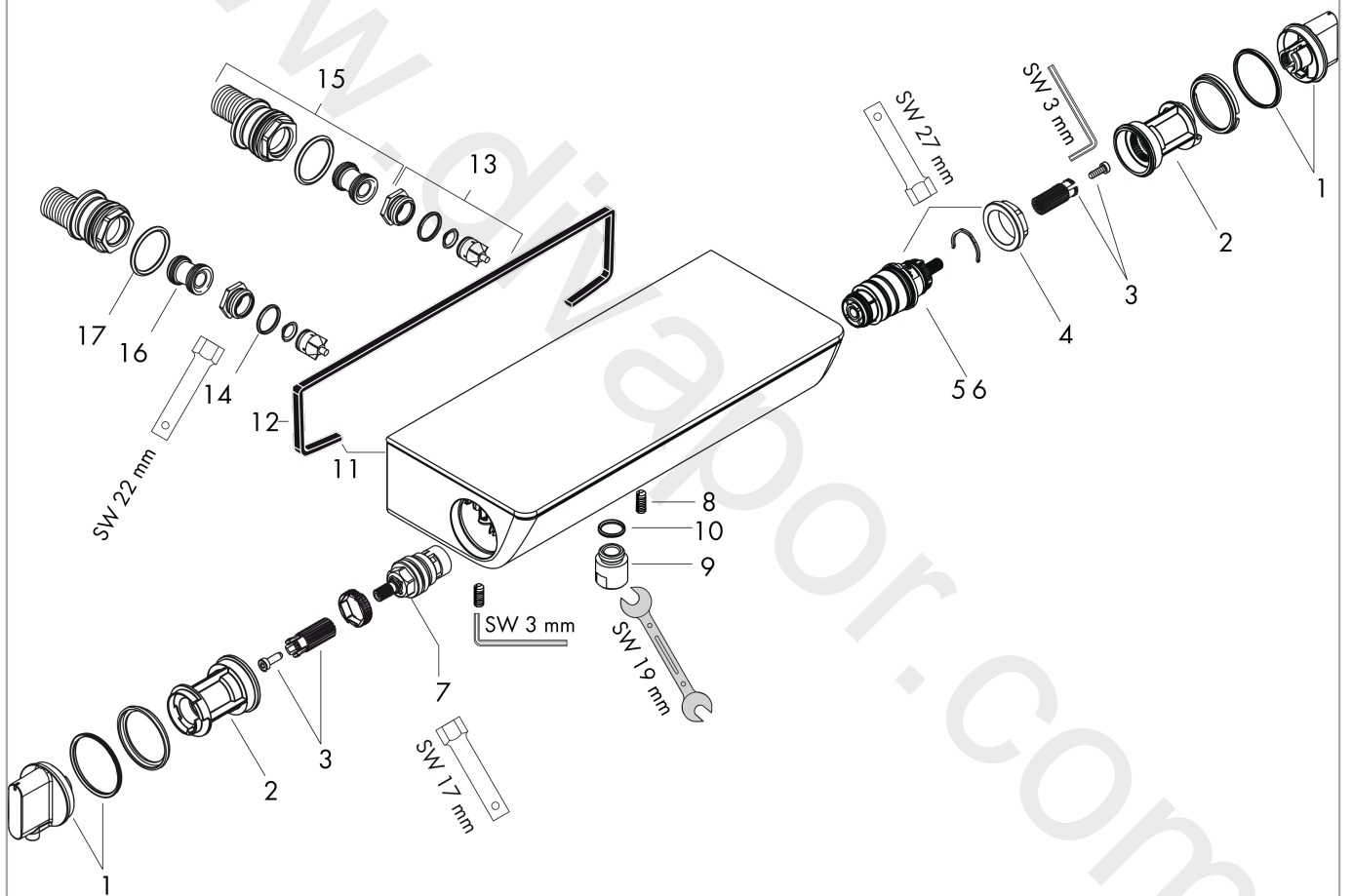
www.divapor.com

**Ecostat Select**  
**Shower thermostat for exposed installation**  
 Finish: **Chrome** Article Number: **13161000**



**Exploded Drawing**

Year of production: >06/11



**Ecostat Select**  
**Shower thermostat for exposed installation**  
 Finish: **Chrome** Article Number: **13161000**



## Spare part list

Year of production: >06/11

Pos.	Description	Article Number	Price	PU
1	handle for thermostat	95770000	£ 64,00	1
2	safety set	95771000	£ 9,00	1
3	handle fixing set	92130000	£ 6,10	1
4	nut	98913000	£ 20,50	1
5	thermostat cartridge	98282000	£ 110,00	1
6	cartridge for exchanged connections	92373000	£ 275,00	1
7	shut off unit	94149000	£ 35,00	1
8	hollow set screw M6x16 including o-ring 29x3	98372000	£ 9,00	1
9	connecting thread	95392000	£ 20,50	1
10	O-ring 14x2	98129000	£ 3,30	1
11	escutcheon	98477000	£ 275,00	1
12	seal	97530000	£ 6,10	1
13	non return valve (pressure-resistant up to 2 MPa)	95773000	£ 35,00	1
14	O-ring 17x2	98199000	£ 3,30	1
15	set of S-unions	95772000	£ 96,00	1
16	noise reduction	96429000	£ 6,10	1
17	O-ring 29x3	98371000	£ 6,10	1
a	brake disc	92832000	£ 6,10	1
b	adapter for ball S - union	02026000	£ 51,00	1
c	ball s-unions with escutcheon	98293000	£ 830,00	1