

Ecostat
Shower thermostat 1001 CL for exposed installation
 Finish: **Chrome** Article Number: **13211000**



Description

product features

- 1 function
- EcoStop button limits the water consumption to 10 l/min
- thermostat cartridge, ceramic valve 180°
- maximum flow rate at 3 bar: 16 l/min
- min. operating pressure: 1 bar
- max. operating pressure: 10 bar
- safety stop at 40 °C
- temperature limitation adjustable
- the thermostat offers the possibility for thermal disinfection
- non-return valve
- with silencer
- material handles: metal
- centre distance: 150 ± 12 mm
- connection dimension: DN15
- connection type: s-shaped connections, G ½
- dirt filter included
- WRAS 2306019
- WRAS 2306019 - Approval letter 2306019

Article Details

Price excl. VAT 196,67 £

Technology



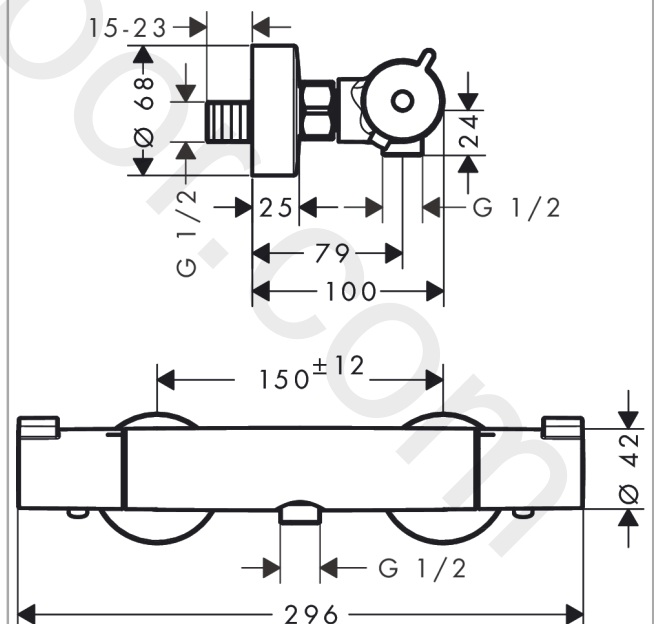
Certificates / Sustainability



Product image



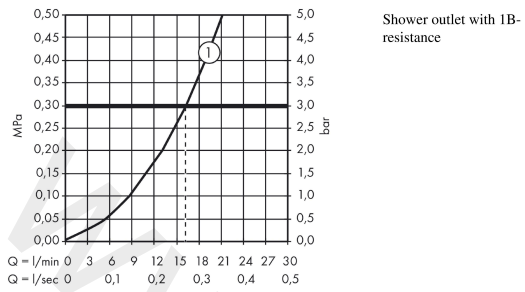
Scale drawing



Ecostat
Shower thermostat 1001 CL for exposed installation
 Finish: **Chrome** Article Number: **13211000**



Flowchart



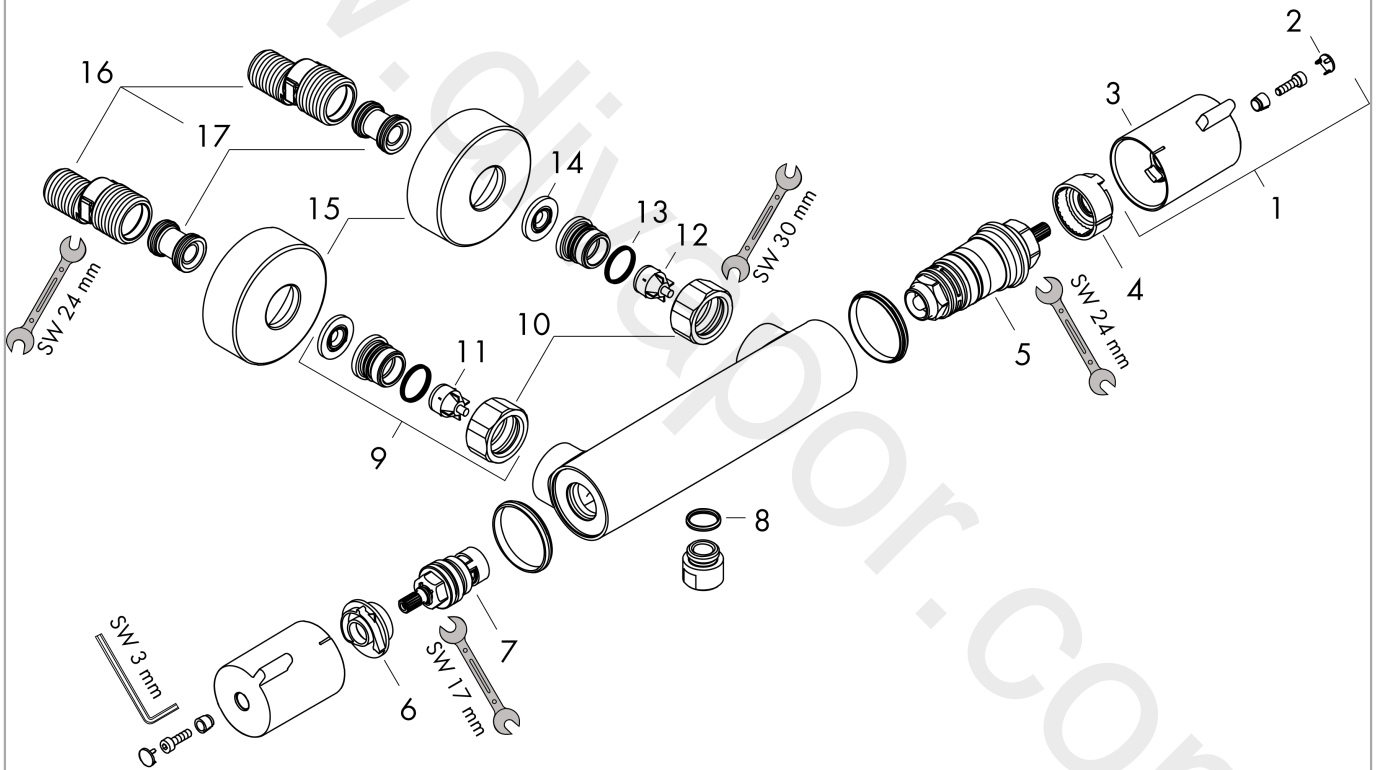
www.divapor.com

Ecostat
Shower thermostat 1001 CL for exposed installation
 Finish: **Chrome** Article Number: **13211000**



Exploded Drawing

Year of production: >09/19



Ecostat**Shower thermostat 1001 CL for exposed installation**Finish: **Chrome** Article Number: **13211000****Spare part list**

Year of production: >09/19

| Pos. | Description | Article Number | Price | PU |
|------|---|----------------|----------|----|
| 1 | handle | 92836000 | £ 43,00 | 1 |
| 2 | cover cap | 95433000 | £ 6,10 | 1 |
| 3 | pushbutton | 92848000 | £ 6,10 | 1 |
| 4 | safety set for temperature control | 95041000 | £ 16,10 | 1 |
| 5 | thermostat cartridge | 94282000 | £ 137,00 | 1 |
| 6 | safety set for flow control | 95042000 | £ 16,10 | 1 |
| 7 | shut off unit | 94149000 | £ 35,00 | 1 |
| 8 | O-ring 14x2 | 98129000 | £ 3,30 | 1 |
| 9 | set of unions | 94285000 | £ 67,00 | 1 |
| 10 | set of nuts | 96157000 | £ 35,00 | 1 |
| 11 | non return valve (pressure-resistant up to 2 MPa) | 93136000 | £ 35,00 | 1 |
| 12 | non return valve | 96737000 | £ 35,00 | 1 |
| 13 | O-ring 17x1,5 | 98137000 | £ 3,30 | 1 |
| 14 | filter packing | 96922000 | £ 9,00 | 1 |
| 15 | escutcheon Ø 68 mm | 96467000 | £ 20,50 | 1 |
| 16 | noise reduction | 96429000 | £ 6,10 | 1 |
| 17 | set of S-unions (±12 mm) | 94140000 | £ 51,00 | 1 |