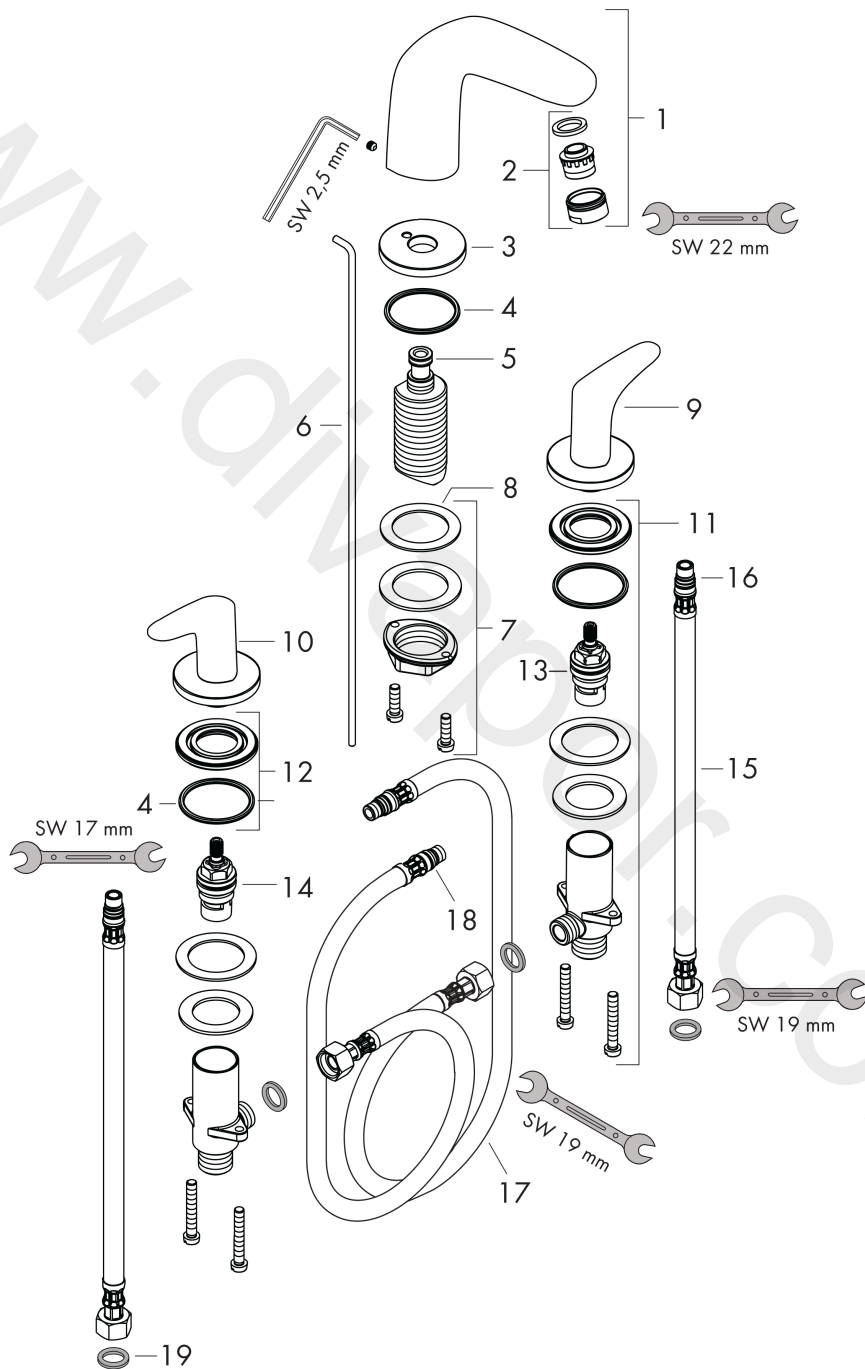


**Metropol E**  
**3-Hole Basin Mixer DN15**  
 Surfaces: Article Number: **14033090**



**Exploded Drawing**

Year of production: **01/10 - 02/12**



**Metropol E****3-Hole Basin Mixer DN15**Surfaces: Article Number: **14033090****Spare part list**Year of production: **01/10 - 02/12**

Pos.	Description	Article Number	Price	PU
1	spout cpl.	97782000	£ 224,00	1
2	aerator M24x1 (5 l/min)	13185990	£ 51,00	1
3	escutcheon for spout	97505990	£ 275,00	1
4	O-ring 40x3	92634000	£ 3,30	1
5	O-ring 11x2	98127000	£ 3,30	1
6	pull rod	94083000	£ 35,00	1
7	fixing set (Ø 32)	13961000	£ 25,00	1
8	lever collar	97548000	£ 3,30	1
9	handle for cold water	97780090	£ 110,00	1
10	handle for hot water	97781000	£ 79,00	1
11	stop valve cpl.	97357000	£ 137,00	1
12	nut	92854000	£ 20,50	1
13	shut off unit left closing	94008000	£ 43,00	1
14	shut off unit right closing	94009000	£ 43,00	1
15	connection hose 450 mm M10x1 G3/8	96507000	£ 43,00	1
16	O-ring 8x1,75	97827000	£ 3,30	1
17	connection hose 450 mm M8x0,75 G3/8	97206000	£ 35,00	1
18	O-ring 7x1,5	98422000	£ 3,30	1
19	sealing set	95581000	£ 6,10	1
a	pop up waste	94139000	£ 96,00	1
b	fixation extension 35 mm	13898000	£ 79,00	1
c	aerator M24x1 (7 l/min)	13085990	£ 51,00	1