

## Ecos

### Single lever basin mixer M CoolStart with push-open waste set

Finish: **Chrome** Article Number: **14042000**



#### Description

##### product features

- consists of: single lever basin mixer, waste set
- ComfortZone 50
- projection: 101 mm
- spout height: 53 mm
- handle variant: lever handle
- spray type: normal spray
- maximum flow rate at 3 bar: 5 l/min
- ceramic cartridge
- temperature limitation adjustable
- suitable for continuous flow water heaters
- push-open waste set G 1¼
- material waste set: metal
- connection type: G ¾ connections
- connection dimension: DN15
- cold water in basic handle position
- WRAS\_2201035
- WRAS\_2201035 - Approval letter 2201035

#### Technology



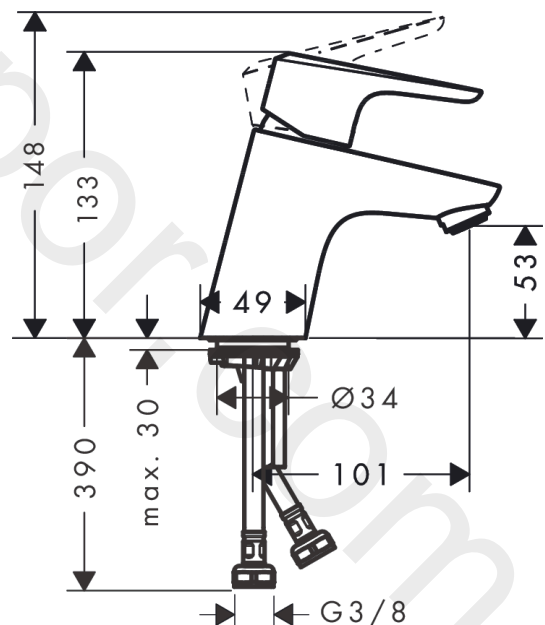
#### Certificates / Sustainability



#### Product image



#### Scale drawing



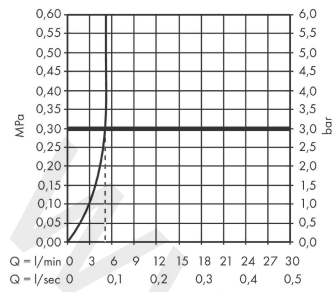
**Ecos**

**Single lever basin mixer M CoolStart with push-open waste set**

Finish: **Chrome** Article Number: **14042000**



**Flowchart**

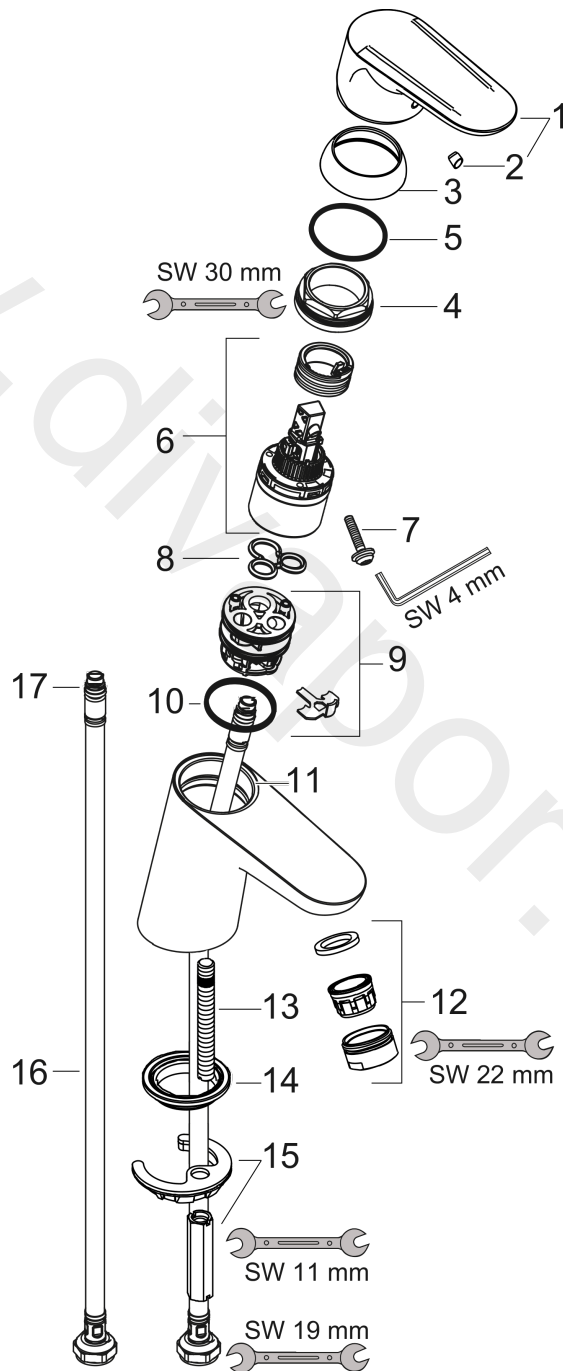


**Ecos**  
**Single lever basin mixer M CoolStart with push-open waste set**  
 Finish: **Chrome** Article Number: **14042000**



**Exploded Drawing**

Year of production: >05/17



**Ecos****Single lever basin mixer M CoolStart with push-open waste set**Finish: **Chrome** Article Number: **14042000****Spare part list**

Year of production: &gt;05/17

Pos.	Description	Article Number	Price	PU
1	handle	92208000	-	1
2	screw cover	96338000	-	1
3	flange	97406000	-	1
4	nut	97209000	-	1
5	O-Ring 32x2	98193000	-	1
6	cartridge, assy	92730000	-	1
7	locking screw for handle	95140000	-	1
8	seal	95008000	-	1
9	adapter for cartridge	98324000	-	1
10	O-Ring 30x2	98186000	-	1
11	O-ring 35x2	92604000	-	1
12	aerator M24x1 (5 l/min)	13185000	-	1
13	screw M8 x 68	97736000	-	1
14	seal Ø 42	98722000	-	1
15	fixing set	96016000	-	1
16	connection hose 450 mm M8x0,75 G3/8	97206000	-	1
17	O-ring 6,6x1,6	93019000	-	1
a	push-open waste set	50105000	-	1
b	plug	98363000	-	1
c	aerator M24x1 (3,5 l/min)	92508000	-	1
d	aerator M24x1 (4,5 l/min)	92877000	-	1
e	aerator swivelling M24x1 (5 l/min)	95928000	-	1