

Ecoss

Single lever kitchen mixer L, device shut-off valve, 1jet

Finish: **Chrome** Article Number: **14836000**



Description

product features

- ComfortZone 260
- swivel range adjustable in 2 steps to 110° or 150°
- normal spray
- with integrated shut-off valve
- device connection DN20
- connection dimension: DN15
- maximum flow rate at 3 bar: 12 l/min
- ceramic cartridge with Eco handle position for a reduced flowrate by up to 50%
- connection type: G 3/8 connections
- temperature limitation adjustable
- suitable for continuous flow water heaters

Technology



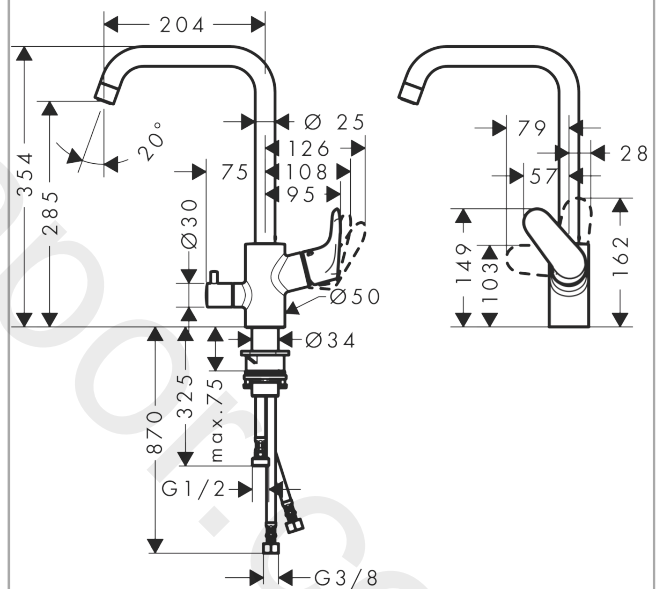
Certificates / Sustainability



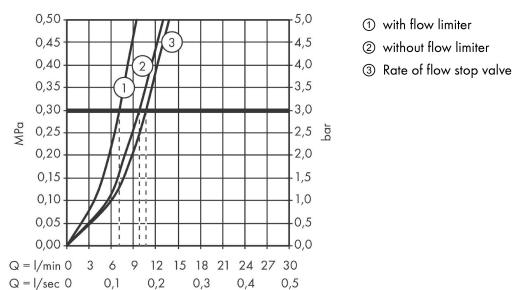
Product image



Scale drawing



Flowchart

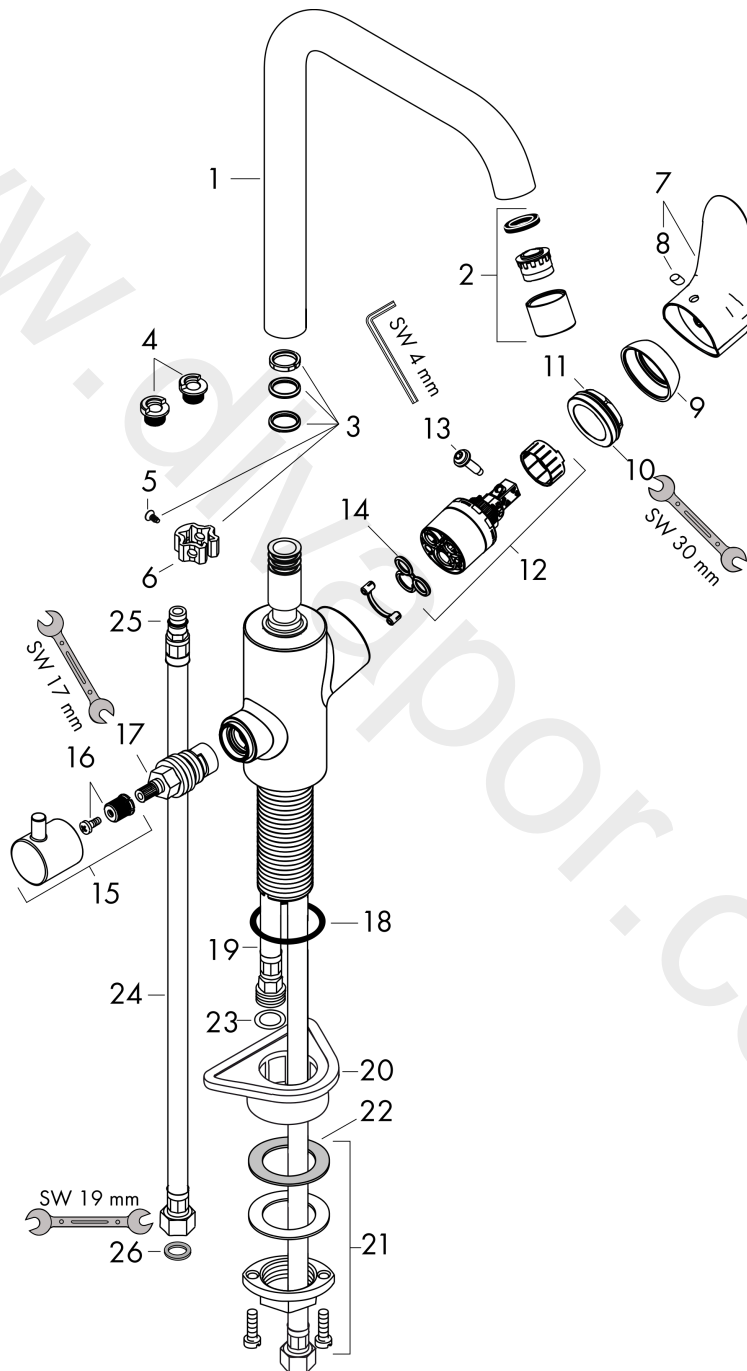


Ecos
Single lever kitchen mixer L, device shut-off valve, 1jet
 Finish: **Chrome** Article Number: **14836000**



Exploded Drawing

Year of production: >11/15



Ecos

Single lever kitchen mixer L, device shut-off valve, 1jet

Finish: **Chrome** Article Number: **14836000**



Spare part list

Year of production: >11/15

Pos.	Description	Article Number	Price	PU
1	spout cpl.	95822000	£ 173,00	1
2	aerator M22x1 (15 l/min)	96653000	£ 43,00	1
3	sealing set	92646000	£ 20,50	1
4	set of locating rings (110° / 150°)	98486000	£ 16,10	1
5	screw	97662000	£ 9,00	1
6	axialring	97558000	£ 3,30	1
7	handle	95934000	£ 51,00	1
8	screw cover	96338000	£ 3,30	1
9	flange	95498000	£ 9,00	1
10	nut	97209000	£ 16,10	1
11	O-Ring 32x2	98193000	£ 3,30	1
12	cartridge, assy	95730000	£ 43,00	1
13	locking screw for handle	95140000	£ 6,10	1
14	seal	95008000	£ 9,00	1
15	handle	95629000	£ 43,00	1
16	handle fixing set	98932000	£ 16,10	1
17	shut off unit right closing	98817000	£ 35,00	1
18	O-Ring 36x2,5	98190000	£ 3,30	1
19	connection hose 350 mm	93785000	£ 35,00	1
20	support	97523000	£ 6,10	1
21	fixing set (Ø 34)	95049000	£ 16,10	1
22	lever collar	97548000	£ 3,30	1
23	flat seal	97674000	£ 3,30	1
24	connection hose 900 mm M8x0,75 G3/8	98758000	£ 35,00	1
25	O-ring 7x1,5	98422000	£ 3,30	1
26	sealing set	95581000	£ 6,10	1