

## Versostat<sup>2</sup>

### Shower thermostat for exposed installation

Finish: **Chrome** Article Number: **15368000**



#### Description

##### product features

- 1 function
- EcoStop button limits the water consumption to 10 l/min
- thermostat cartridge
- maximum flow rate at 3 bar: 21 l/min
- temperature limitation adjustable
- non-return valve
- with silencer
- suitable for continuous flow water heaters
- centre distance: 150 ± 12 mm
- connection dimension: DN15
- connection type: s-shaped connections
- dirt filter included
- WRAS 1904006

#### Article Details

Price excl. VAT

241,67 £

#### Technology



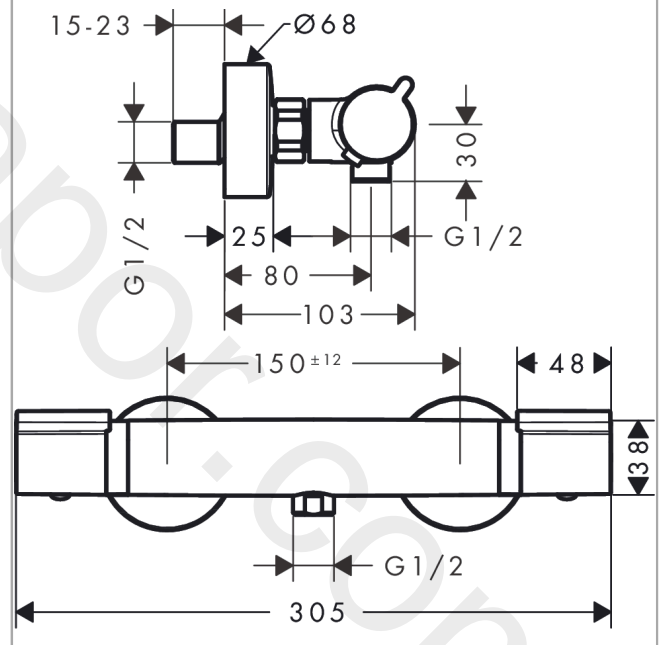
#### Certificates / Sustainability



#### Product image



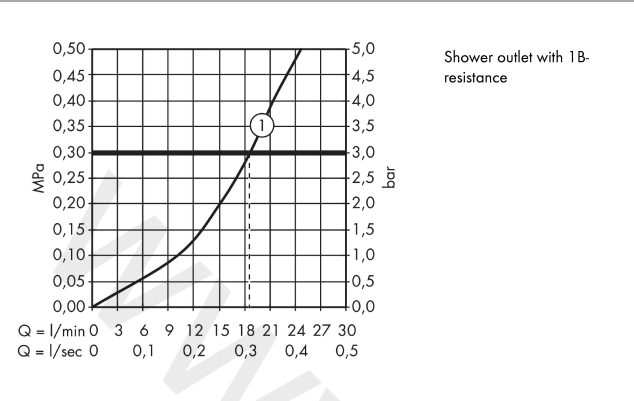
#### Scale drawing



**Versostat<sup>2</sup>**  
**Shower thermostat for exposed installation**  
 Finish: **Chrome** Article Number: **15368000**



**Flowchart**



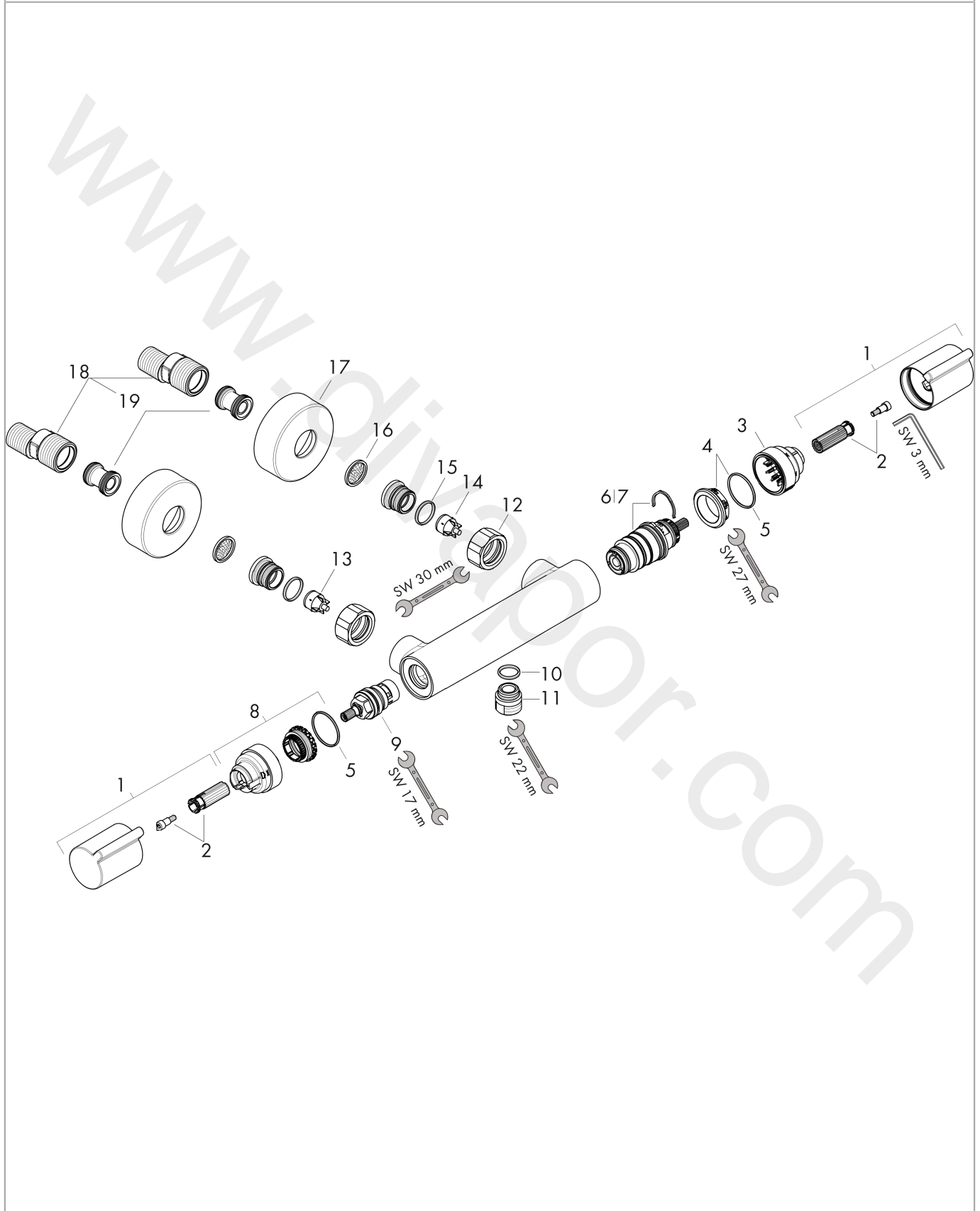
www.divapor.com

**Versostat<sup>2</sup>**  
**Shower thermostat for exposed installation**  
 Finish: **Chrome** Article Number: **15368000**



**Exploded Drawing**

Year of production: >01/14



## Versostat<sup>2</sup>

### Shower thermostat for exposed installation

Finish: **Chrome** Article Number: **15368000**



#### Spare part list

Year of production: >01/14

Pos.	Description	Article Number	Price	PU
1	handle	92200000	£ 51,00	1
2	handle fixing set	95843000	£ 9,00	1
3	safety set	95839000	£ 20,50	1
4	nut	98913000	£ 20,50	1
5	O-ring 26x1,5	98390000	£ 3,30	1
6	thermostat cartridge	98282000	£ 110,00	1
7	cartridge for exchanged connections	92373000	£ 275,00	1
8	safety set	95841000	£ 20,50	1
9	shut off unit	94149000	£ 35,00	1
10	connecting thread	95392000	£ 20,50	1
11	O-ring 14x2	98129000	£ 3,30	1
12	set of nuts	96157000	£ 35,00	1
13	non return valve (pressure-resistant up to 2 MPa)	93136000	£ 35,00	1
14	non return valve	96737000	£ 35,00	1
15	O-ring 17x1,5	98137000	£ 3,30	1
16	filter packing	96922000	£ 9,00	1
17	escutcheon Ø 68 mm	96467000	£ 20,50	1
18	set of S-unions (±12 mm)	94140000	£ 51,00	1
19	noise reduction	96429000	£ 6,10	1
a	set of S-unions (±32 mm)	98592000	£ 43,00	1