

Ecostat Square
Thermostat for concealed installation for 2 functions
 Finish: **Matt Black** Article Number: **15714677**



Description

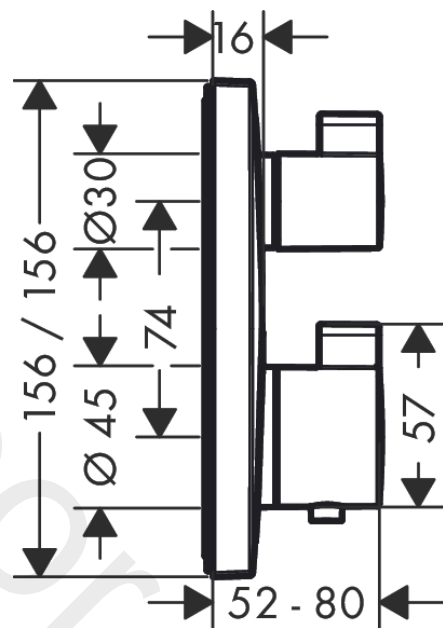
product features

- 2 functions
- thermostat cartridge, shut-off/ diverter valve
- maximum flow rate at 3 bar: 29 l/min
- min. operating pressure: 1 bar
- max. operating pressure: 10 bar
- Safety stop at 40 °C
- temperature limitation adjustable
- connection type: basic set

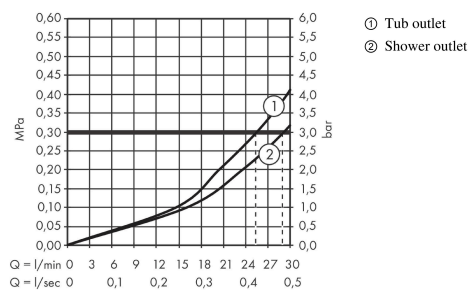
Product image



Scale drawing



Flowchart

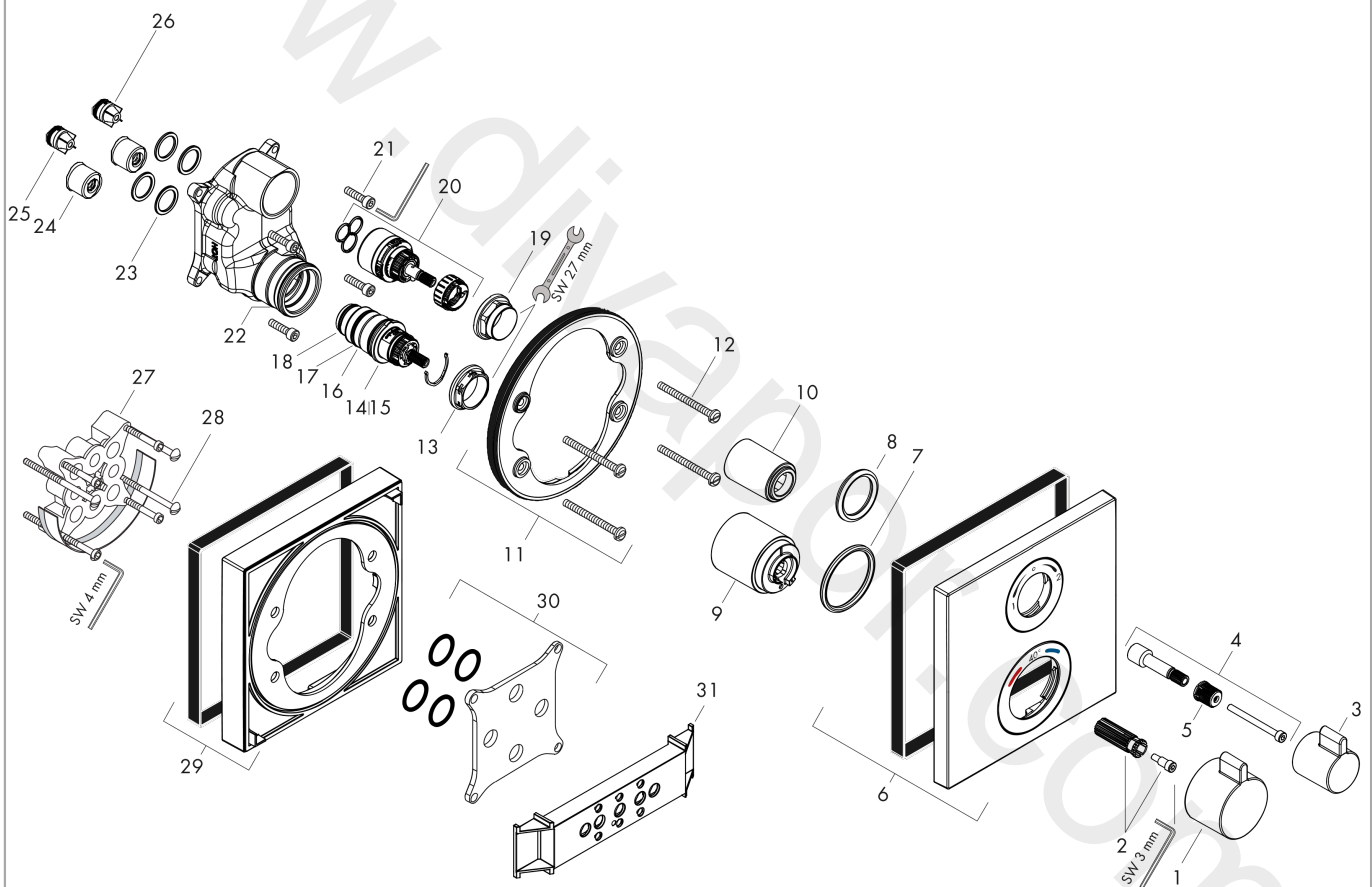


Ecostat Square
Thermostat for concealed installation for 2 functions
 Finish: **Matt Black** Article Number: **15714677**



Exploded Drawing

Year of production: >10/19



Ecostat Square
Thermostat for concealed installation for 2 functions
 Finish: **Matt Black** Article Number: **15714677**



Spare part list

Year of production: >10/19

| Pos. | Description | Article Number | Price | PU |
|------|---|----------------|----------|----|
| 1 | handle for thermostat | 92215670 | £ 96,00 | 1 |
| 2 | handle fixing set | 95843000 | £ 9,00 | 1 |
| 3 | handle | 92281670 | £ 76,00 | 1 |
| 4 | adapter for handle | 95252000 | £ 64,00 | 1 |
| 5 | handle fixing set | 98932000 | £ 16,10 | 1 |
| 6 | escutcheon 155 / 155 mm | 93241670 | £ 202,00 | 1 |
| 7 | O-ring 44x4 | 98471000 | £ 9,00 | 1 |
| 8 | O-ring 30x5 | 98153000 | £ 3,30 | 1 |
| 9 | sleeve | 92216670 | £ 51,00 | 1 |
| 10 | sleeve | 95253670 | £ 51,00 | 1 |
| 11 | holder for escutcheon | 98793000 | £ 43,00 | 1 |
| 12 | set of fixing screws | 96454000 | £ 9,00 | 1 |
| 13 | nut | 98913000 | £ 20,50 | 1 |
| 14 | thermostat cartridge | 98282000 | £ 110,00 | 1 |
| 15 | cartridge for exchanged connections | 92373000 | £ 275,00 | 1 |
| 16 | O-ring 25x2,5 | 92146000 | £ 9,00 | 1 |
| 17 | O-ring 25x1,5 | 98146000 | £ 3,30 | 1 |
| 18 | O-ring 20x1,5 | 98197000 | £ 3,30 | 1 |
| 19 | nut | 95255000 | £ 20,50 | 1 |
| 20 | shut off unit with selector | 98283000 | £ 79,00 | 1 |
| 21 | set of screws | 96525000 | £ 9,00 | 1 |
| 22 | O-ring 36x2 | 98156000 | £ 3,30 | 1 |
| 23 | O-ring 16x2 | 98133000 | £ 3,30 | 1 |
| 24 | noise reduction | 94073000 | £ 25,00 | 1 |
| 25 | non return valve (pressure-resistant up to 2 MPa) | 92594000 | £ 16,10 | 1 |
| 26 | set of non return valves DW 15 | 97350000 | £ 20,50 | 1 |
| 27 | extension 25 mm | 13595000 | £ 75,00 | 1 |
| 28 | set of fixing screws | 97747000 | £ 3,30 | 1 |
| 29 | extension 22 mm | 13593670 | £ 82,00 | 1 |
| 30 | compensation set 1° | 95521000 | £ 173,00 | 1 |
| 31 | fit-up aid | 92540000 | £ 14,10 | 1 |
| a | - | 01800187 | - | 1 |