

**AXOR Montreux**  
**2-handle bath mixer floor-standing with lever handles**  
 Finish: **Chrome** Article Number: **16553000**



## product features

- consists of: 2-handle bath mixer floor standing, hand shower, shower hose, shower holder
- 2 functions
- projection: 234 mm
- spray type mixer: normal spray
- spray type hand shower: RainAir
- maximum flow rate at 3 bar: 19,5 l/min
- flow rate for bath spout at 3 bar: 19,5 l/min
- flow rate of hand shower at 3 bar: 13 l/min
- ceramic valves hot/cold 90°
- non-return valve
- suitable for continuous flow water heaters
- connection dimension: DN15
- connection type: basic set
- deck mounted
- min. operating pressure: 1 bar
- max. operating pressure: 10 bar
- Sealing foil 96441000 is needed twice
- WRAS 2207052
- WRAS 2207052 - Approval letter

## Article Details

Price excl. VAT 2.816,67 £

## Technology



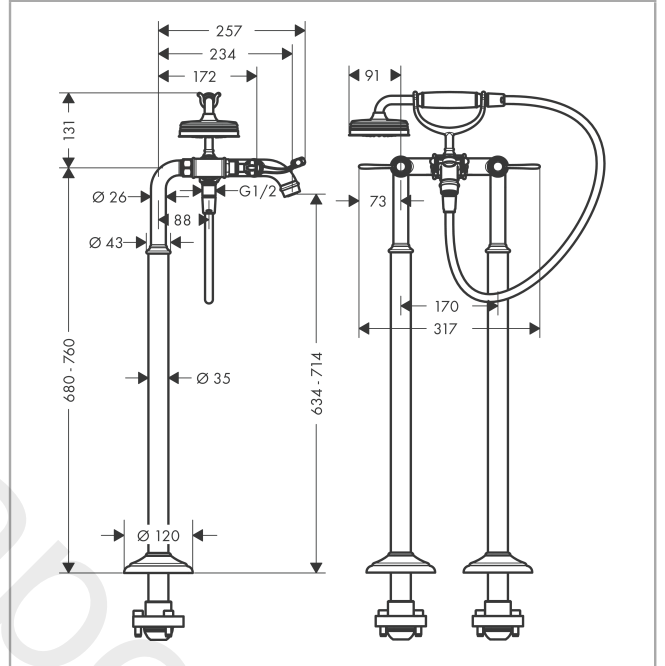
**AXOR Montreux**  
**2-handle bath mixer floor-standing with lever handles**  
 Finish: **Chrome** Article Number: **16553000**



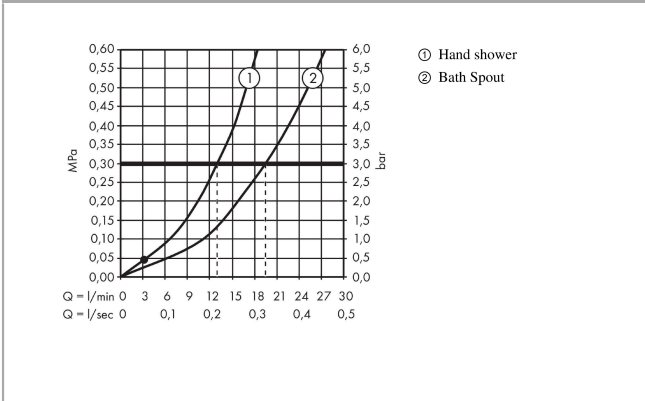
## Product image



## Scale drawing



## Flowchart



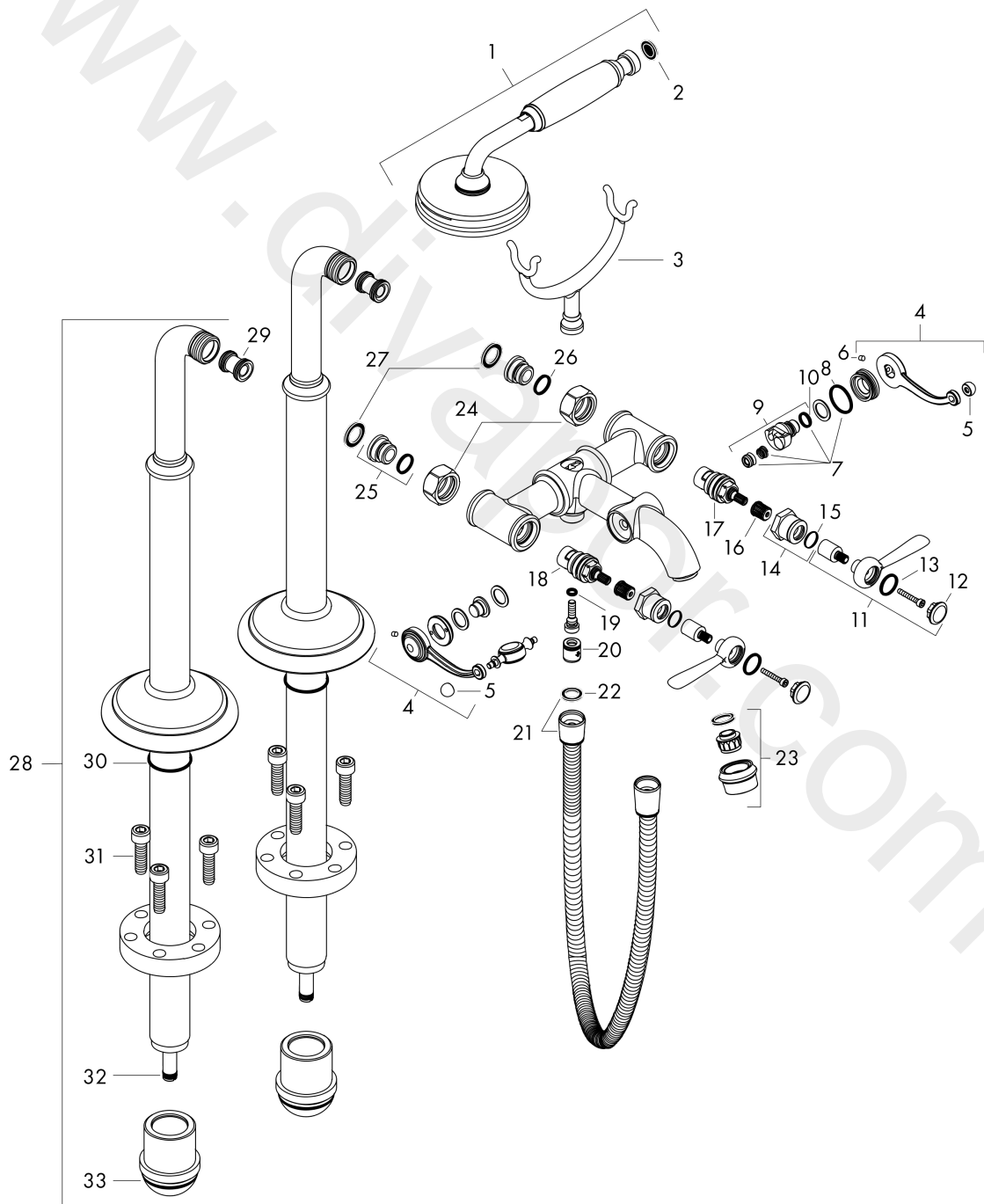


**AXOR Montreux**  
**2-handle bath mixer floor-standing with lever handles**  
 Finish: **Chrome** Article Number: **16553000**



## Exploded Drawing

Year of production: >10/16



**AXOR Montreux**  
**2-handle bath mixer floor-standing with lever handles**  
 Finish: **Chrome** Article Number: **16553000**



## Spare part list

Year of production: >10/16

Pos.		Article Number	Price	PU
1	handshower	16320000	£ 255,00	1
2	filter packing	94246000	£ 3,30	1
3	shower base	98590000	£ 51,00	1
4	sliding gear lever	98594000	£ 110,00	1
5	set of nuts	92852820	£ 79,00	1
6	hollow set screw M4x6	97767000	£ 3,30	1
7	service set	96301000	£ 51,00	1
8	O-ring 23x2	98398000	£ 3,30	1
9	selector	98591000	£ 96,00	1
10	O-ring 10x2	98170000	£ 3,30	1
11	handle	92705000	£ 96,00	1
12	set of screw covers, cold / hot water / neutral	97987000	£ 64,00	1
13	O-ring 16x2	98133000	£ 3,30	1
14	sleeve	92712000	£ 79,00	1
15	O-ring 14x1,78	92984000	£ 3,30	1
16	adapter for handle	92375000	£ 51,00	1
17	shut off unit right closing	96350000	£ 51,00	1
18	shut off unit left closing	96351000	£ 51,00	1
19	O-ring 5x2	98215000	£ 3,30	1
20	set of non return valves DW 15	94074000	£ 16,10	1
21	shower hose 1,25 m	28112000	£ 98,00	1
22	seal	98058000	£ 3,30	1
23	aerator M22x1 (25 l/min)	98575000	£ 79,00	1
24	set of nuts	96157000	£ 35,00	1
25	connecting thread	97220000	£ 16,10	1
26	O-ring 15x2	98163000	£ 3,30	1
27	filter packing	96922000	£ 9,00	1
28	pillar union	98856000	£ 830,00	1
29	noise reduction	96429000	£ 6,10	1
30	O-ring 35x2	92604000	£ 6,10	1
31	hexagon socket screw M10x35	97670000	£ 16,10	1
32	O-ring 9x1,5	98117000	£ 3,30	1
33	O-ring 44x2,5	98162000	£ 3,30	1