

AXOR Carlton
2-handle basin mixer 60 with cross handles and pop-up waste
 Finish: **Chrome** Article Number: **17032000**



product features

- ComfortZone 60
- projection: 118 mm
- spray type: normal spray
- maximum flow rate at 3 bar: 5 l/min
- ceramic valves hot/ cold 180°
- suitable for continuous flow water heaters
- pop-up waste set G 1¼
- connection type: G ¾ connections
- connection dimension: DN15

Article Details

Price excl. VAT 991,67 £

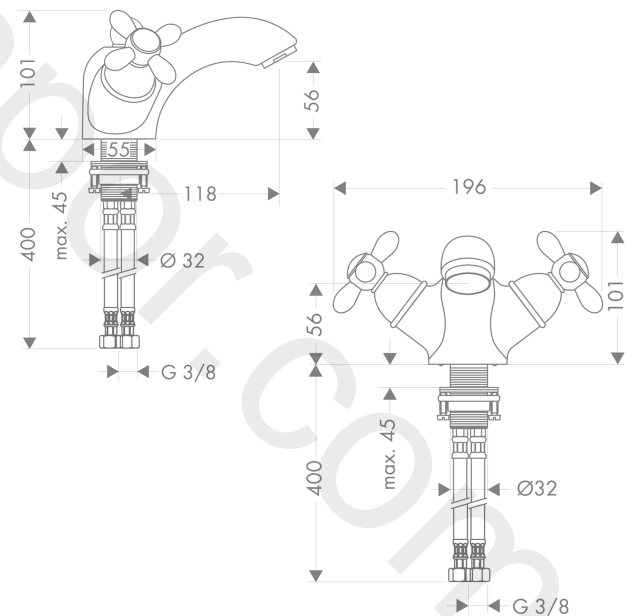
Technology



Product image



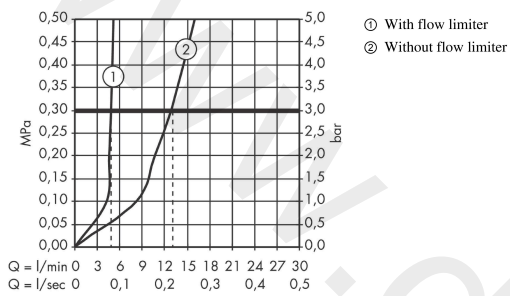
Scale drawing



AXOR Carlton
2-handle basin mixer 60 with cross handles and pop-up waste
 Finish: **Chrome** Article Number: **17032000**



Flowchart

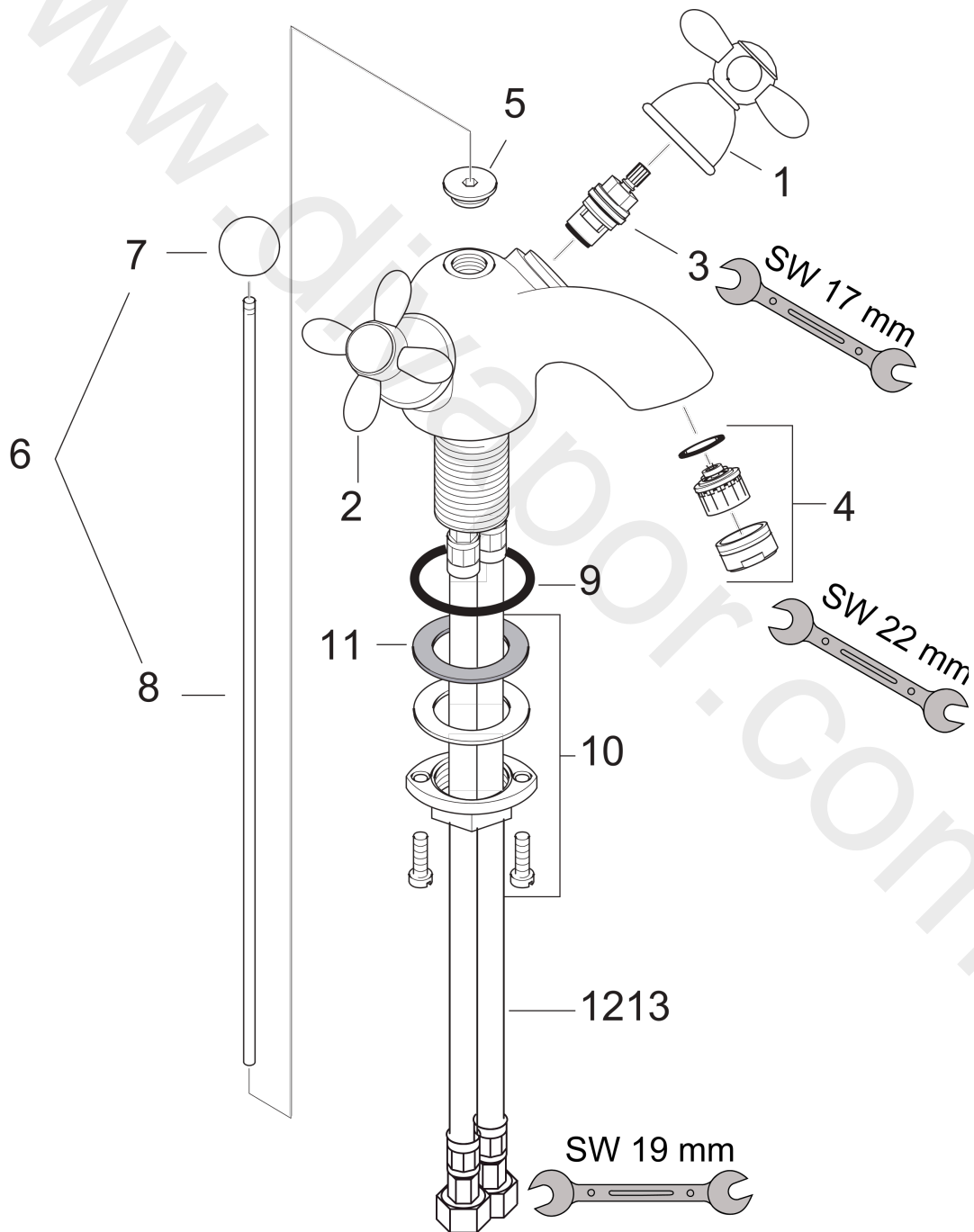


AXOR Carlton
2-handle basin mixer 60 with cross handles and pop-up waste
Finish: **Chrome** Article Number: **17032000**



Exploded Drawing

Year of production: >10/10



AXOR Carlton
2-handle basin mixer 60 with cross handles and pop-up waste
 Finish: **Chrome** Article Number: **17032000**



Spare part list

Year of production: >10/10

Pos.		Article Number	Price	PU
1	handle for cold water	17291000	£ 110,00	1
2	handle for hot water	17292000	£ 110,00	1
3	shut off unit	94149000	£ 35,00	1
4	aerator M24x1 (5 l/min)	13185000	£ 22,30	1
5	deco-ring	97824000	£ 16,10	1
6	pop up rod	94028000	£ 35,00	1
7	diverter knob	94086000	£ 20,50	1
8	pull rod	94067000	£ 20,50	1
9	O-ring 44x4	98471000	£ 9,00	1
10	fixing set (Ø 32)	13961000	£ 25,00	1
11	lever collar	97548000	£ 3,30	1
12	connection hose 450 mm M10x1 G3/8	96507000	£ 43,00	1
a	pop up waste	94139000	£ 96,00	1
b	fixation extension 35 mm	13898000	£ 79,00	1
c	aerator M24x1 (3,5 l/min)	92508000	£ 20,50	1
d	aerator M24x1 (4,5 l/min)	92877000	£ 20,50	1
e	aerator swivelling M24x1 (5 l/min)	95928000	£ 35,00	1