

AXOR Carlton
Single lever bath mixer for exposed installation
 Finish: **Chrome** Article Number: **17410000**



product features

- 2 functions
- projection: 205 mm
- centre distance: 150 ± 12 mm
- spray type mixer: normal spray
- ceramic cartridge
- temperature limitation adjustable
- diverter with automatic resetting
- non-return valve
- with silencer
- suitable for continuous flow water heaters
- connection dimension: DN15
- connection type: s-shaped connections
- wall-mounted
- min. operating pressure: 1 bar
- max. operating pressure: 10 bar

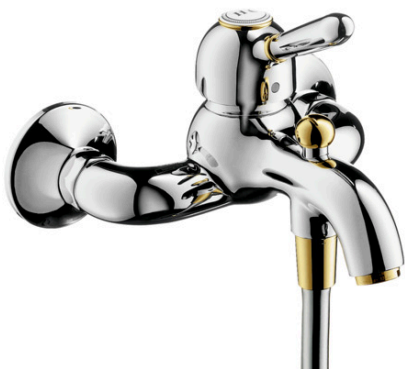
Article Details

Price excl. VAT 991,67 £

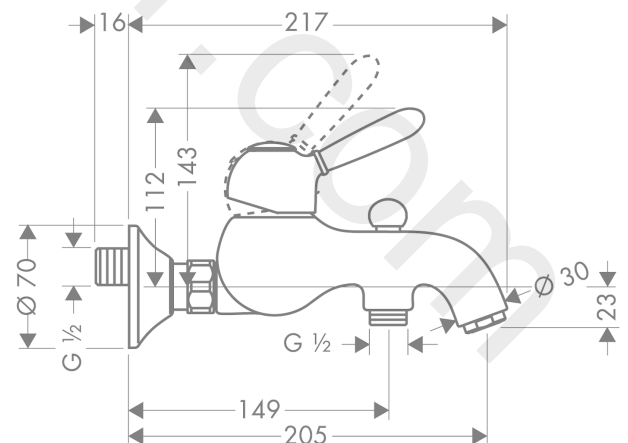
Technology



Product image



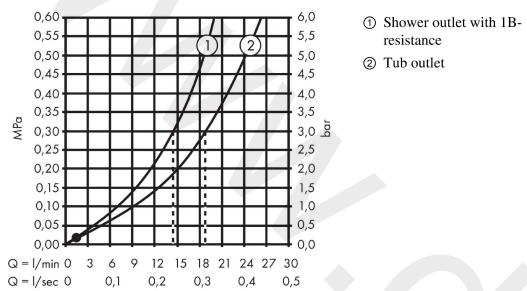
Scale drawing



AXOR Carlton
Single lever bath mixer for exposed installation
 Finish: **Chrome** Article Number: **17410000**



Flowchart

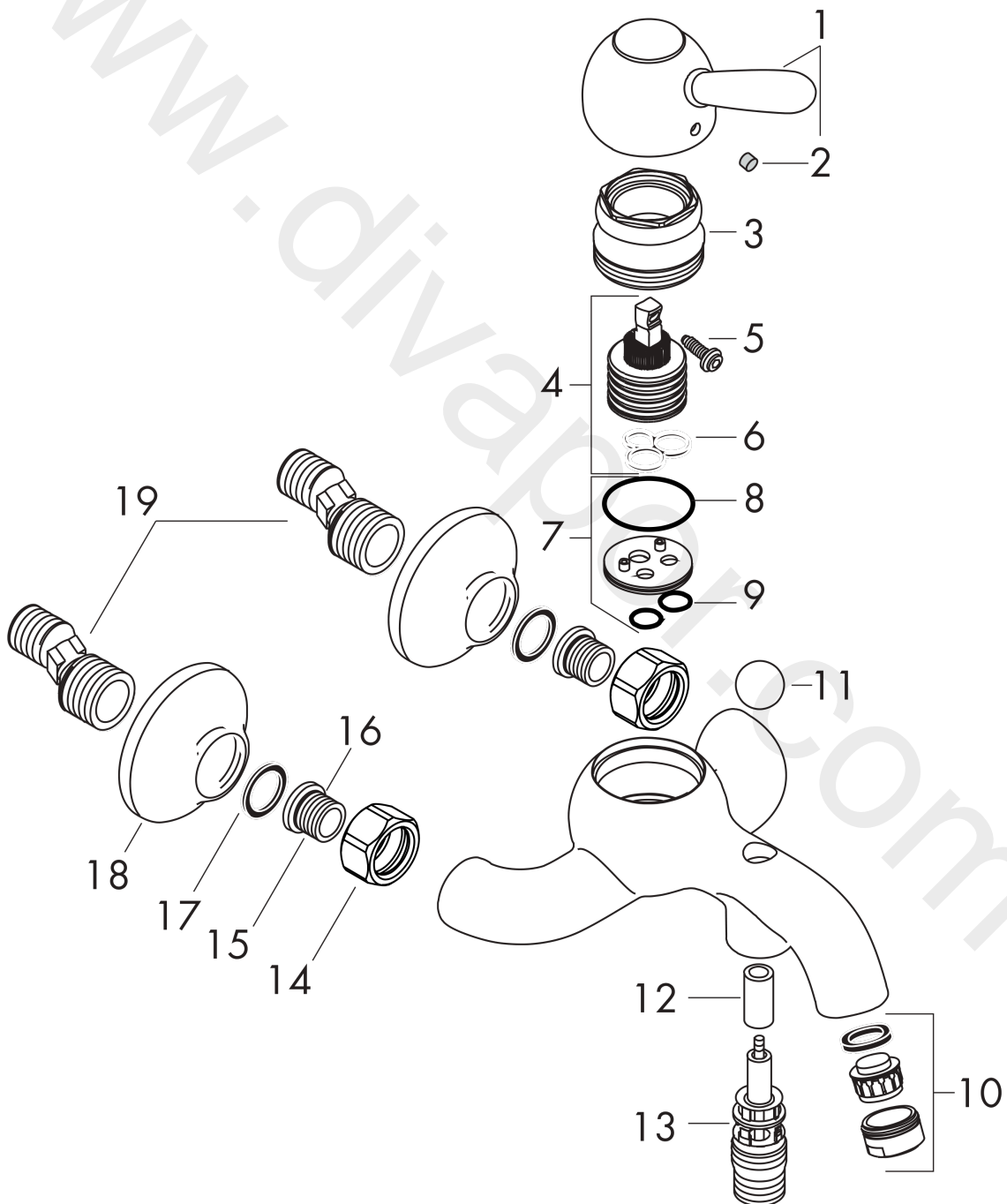


AXOR Carlton
Single lever bath mixer for exposed installation
 Finish: **Chrome** Article Number: **17410000**



Exploded Drawing

Year of production: >05/20



AXOR Carlton
Single lever bath mixer for exposed installation
 Finish: **Chrome** Article Number: **17410000**



Spare part list

Year of production: >05/20

Pos.		Article Number	Price	PU
1	handle	17092000	£ 137,00	1
2	screw cover	96338000	£ 3,30	1
3	nut	96539000	£ 96,00	1
4	cartridge, assy	92730000	£ 35,00	1
5	locking screw for handle	95140000	£ 6,10	1
6	seal	95008000	£ 9,00	1
7	adapter for cartridge	97773000	£ 9,00	1
8	O-Ring 32x2	98193000	£ 3,30	1
9	O-ring 9x1,8	98118000	£ 3,30	1
10	aerator M24x1 (25 l/min)	13956000	£ 9,00	1
11	diverter knob	94078000	£ 16,10	1
12	sleeve	97738000	£ 6,10	1
13	selector assy	94077000	£ 43,00	1
14	set of nuts	96157000	£ 35,00	1
15	connecting thread	97220000	£ 16,10	1
16	O-ring 15x2	98163000	£ 3,30	1
17	filter packing	96922000	£ 9,00	1
18	escutcheon Ø 70 mm	95154000	£ 13,30	1
19	set of S-unions (±12 mm)	94140000	£ 51,00	1
a	set of S-unions (±32 mm)	98592000	£ 43,00	1
b	diverter fixing device	97211000	£ 3,30	1