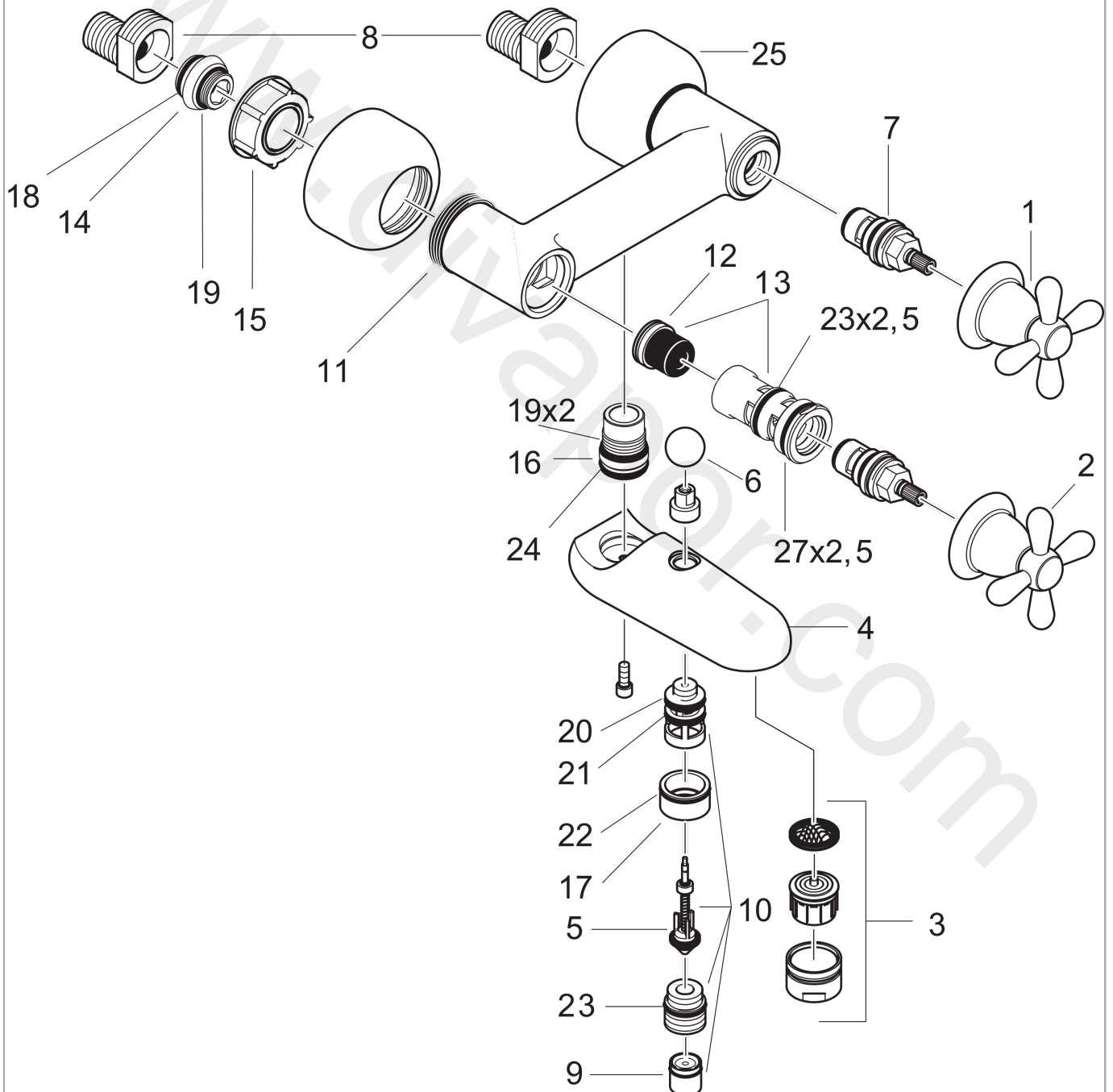


**AXOR Carlton**  
**2-handle bath mixer for exposed installation**  
 Surfaces: Article Number: **17430090**



## Exploded Drawing

Year of production: **05/94 - 12/17**



**AXOR Carlton**  
**2-handle bath mixer for exposed installation**  
 Surfaces: Article Number: **17430090**



## Spare part list

Year of production: **05/94 - 12/17**

Pos.		Article Number	Price	PU
1	handle for cold water	17291000	£ 110,00	1
2	handle for hot water	17292090	£ 173,00	1
3	aerator M28x1 (25 l/min)	13485990	£ 79,00	1
4	spout with selector, mousseur	92440000	£ 275,00	1
5	selector	94103000	£ 51,00	1
6	diverter knob	94102990	£ 64,00	1
7	shut off unit	94149000	£ 35,00	1
8	ball S - unions	13989000	£ 43,00	1
9	set of non return valves DW 15	94074000	£ 16,10	1
10	selector assy	94121000	£ 79,00	1
11	plastic thread	97751000	£ 6,10	1
12	noise reduction	94073000	£ 25,00	1
13	adapter for shut off unit	97254000	£ 64,00	1
14	connecting thread	97233000	£ 20,50	1
15	sleeve nut	97528000	£ 9,00	1
16	adapter for spout	97255000	£ 20,50	1
17	cover	97256000	£ 43,00	1
18	O-ring 20x2,5	92602000	£ 6,10	1
19	O-ring 17x1,5	98137000	£ 3,30	1
20	O-ring 15x2	98163000	£ 3,30	1
21	O-ring 16x2	98133000	£ 3,30	1
22	O-Ring 22x2	98185000	£ 3,30	1
23	O-ring 17x2	98199000	£ 3,30	1
24	O-ring 20x2	98165000	£ 3,30	1
25	escutcheon Ø 68 mm	96428000	£ 16,10	1
a	ball s-unions 120 - 180 mm	13988000	£ 137,00	1