

**AXOR Carlton**  
**4-hole tile mounted bath mixer with cross handles**  
 Finish: **Chrome/Gold Optic** Article Number: **17451097**



### product features

- consists of: 4-hole tile mounted bath mixer, hand shower, shower holder, shower hose
- 2 functions
- projection: 235 mm
- spray type mixer: normal spray
- spray type hand shower: RainAir
- maximum pull-out length of hand shower: 1.10 m
- ceramic valves hot/ cold 180°
- diverter with automatic resetting
- non-return valve
- connection dimension: DN15
- connection type: basic set
- tile mounted
- min. operating pressure: 1 bar
- max. operating pressure: 10 bar

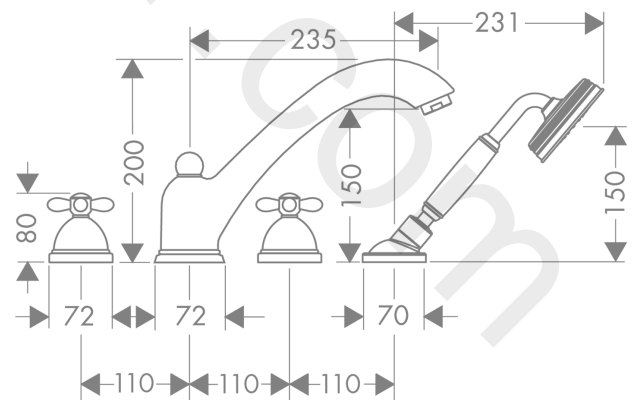
### Technology



### Product image



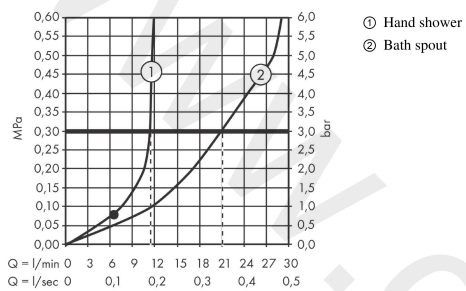
### Scale drawing



**AXOR Carlton**  
**4-hole tile mounted bath mixer with cross handles**  
 Finish: **Chrome/Gold Optic** Article Number: **17451097**



## Flowchart

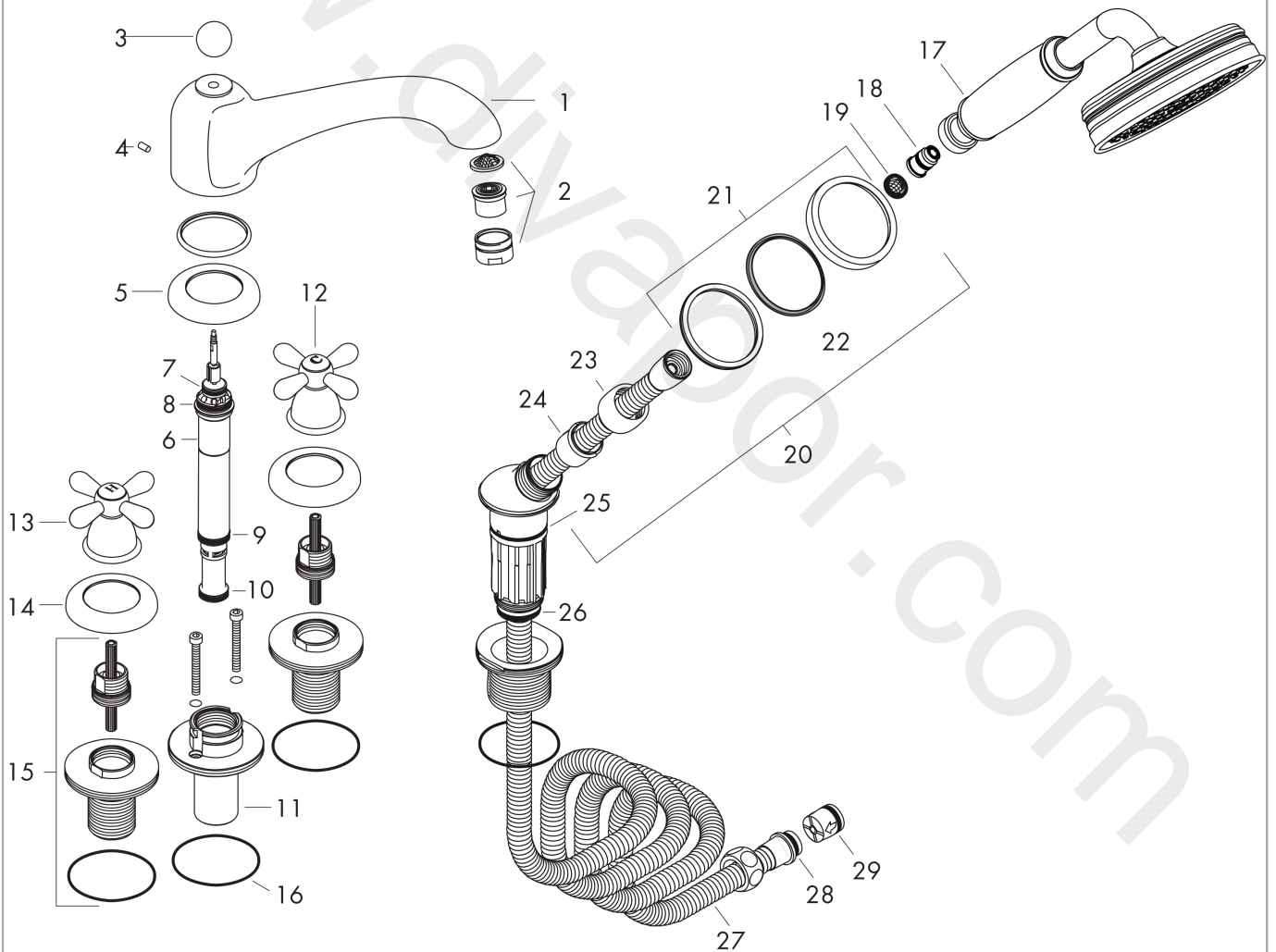


**AXOR Carlton**  
**4-hole tile mounted bath mixer with cross handles**  
Finish: **Chrome/Gold Optic** Article Number: **17451097**



## Exploded Drawing

Year of production: >01/19



**AXOR Carlton**  
**4-hole tile mounted bath mixer with cross handles**  
 Finish: **Chrome/Gold Optic** Article Number: **17451097**



## Spare part list

Year of production: >01/19

Pos.		Article Number	Price	PU
1	spout cpl.	96245000	£ 585,00	1
2	aerator M28x1 (25 l/min)	13485990	£ 79,00	1
3	diverter knob	94086000	£ 20,50	1
4	hollow set screw M6x10 DIN 916	96029000	£ 3,30	1
5	escutcheon Ø 70 mm	96247000	£ 43,00	1
6	selector assy	96246000	£ 173,00	1
7	O-ring 15x2,5	98131000	£ 3,30	1
8	O-Ring 23x2,5	98183000	£ 3,30	1
9	O-ring 18x2,5	98139000	£ 3,30	1
10	O-ring 20x2,5	92602000	£ 6,10	1
11	handle for cold water	17291000	£ 110,00	1
12	handle for hot water	17292090	£ 173,00	1
13	escutcheon Ø 70 mm	96659000	£ 43,00	1
14	flange	97656000	£ 110,00	1
15	selector housing	97225000	£ 79,00	1
16	O-ring 58x3	98202000	£ 3,30	1
17	-	16320007	-	1
18	back flow preventor cartridge	93339000	£ 20,50	1
19	filter packing	94246000	£ 3,30	1
20	shower holder, assy	96433000	£ 110,00	1
21	escutcheon for shower holder	96237000	£ 43,00	1
22	escutcheon chuck	97105000	£ 9,00	1
23	nut	97584000	£ 16,10	1
24	insert for shower holder	96942000	£ 13,30	1
25	O-ring 40x2,5	98399000	£ 3,30	1
26	O-Ring 28x2	98194000	£ 3,30	1
27	shower hose 2,00 m	94148000	£ 79,00	1
28	set of non return valves DW 15	94074000	£ 16,10	1
29	O-ring 11x2	98127000	£ 3,30	1