

AXOR Carlton
Fixfit stop wall outlet with shut-off valve and cross handle
 Finish: **Chrome** Article Number: **17883000**



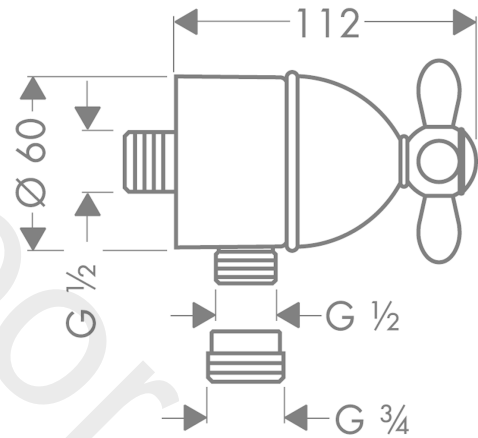
product features

- connection type: DN15
- hose connection DN15
- with non-return valve

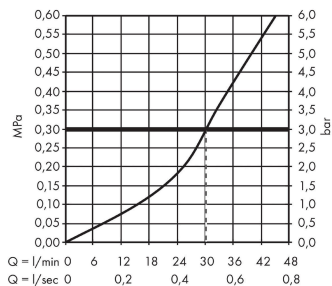
Product image



Scale drawing



Flowchart

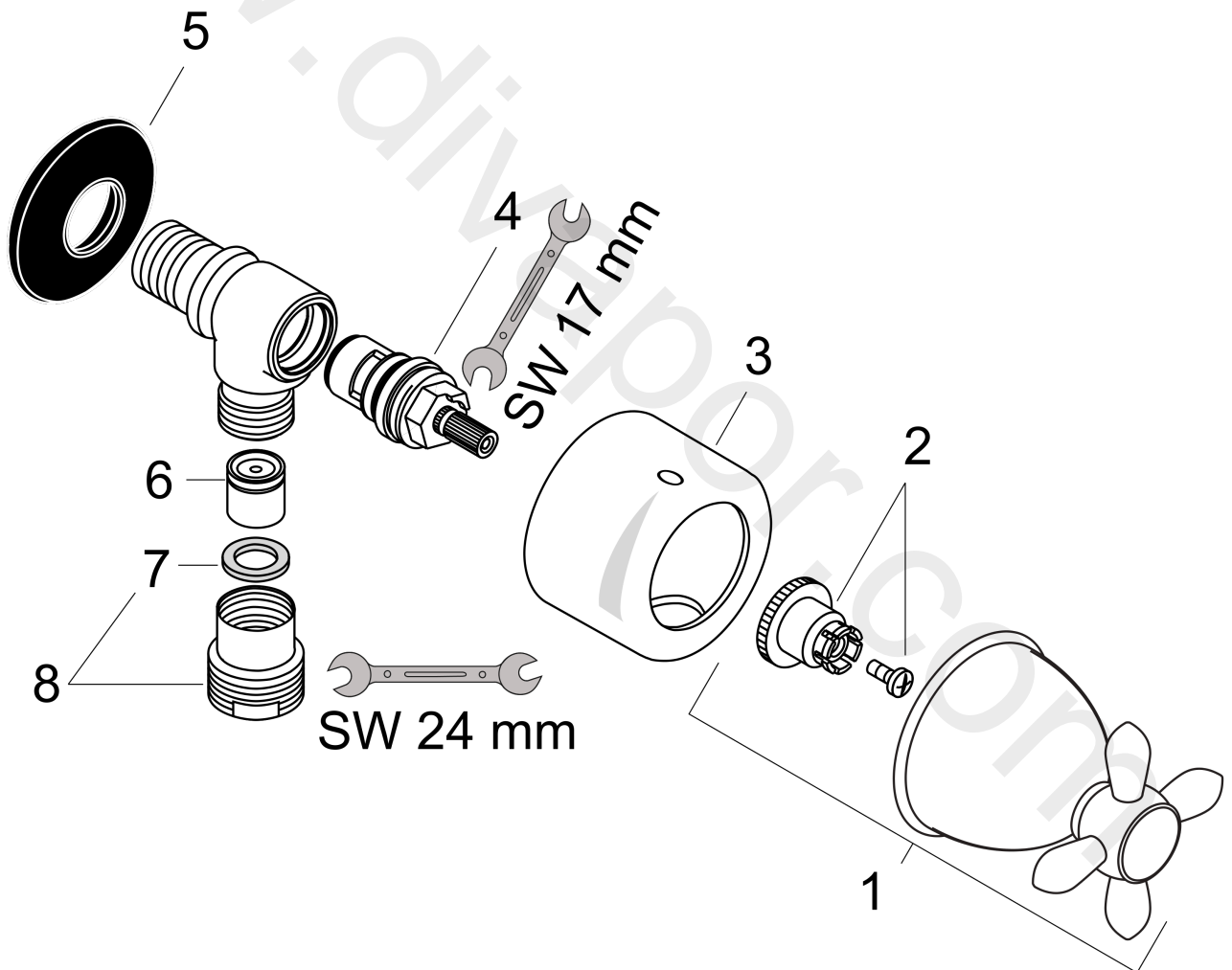


AXOR Carlton
Fixfit stop wall outlet with shut-off valve and cross handle
Finish: **Chrome** Article Number: **17883000**



Exploded Drawing

Year of production: >08/01



AXOR Carlton
Fixfit stop wall outlet with shut-off valve and cross handle
 Finish: **Chrome** Article Number: **17883000**



Spare part list

Year of production: >08/01

Pos.		Article Number	Price	PU
1	handle	17298000	£ 173,00	1
2	handle fixing set	94184000	£ 6,10	1
3	sleeve	96240000	-	1
4	shut off unit right closing	96350000	£ 51,00	1
5	support element	98557000	£ 6,10	1
6	set of non return valves DW 15	94074000	£ 16,10	1
7	flat seal	97674000	£ 3,30	1
8	reduction coupling	92844000	£ 16,10	1