

AXOR Carlton
Fixfit stop wall outlet with shut-off valve and cross handle
 Finish: **Chrome/Gold Optic** Article Number: **17883090**



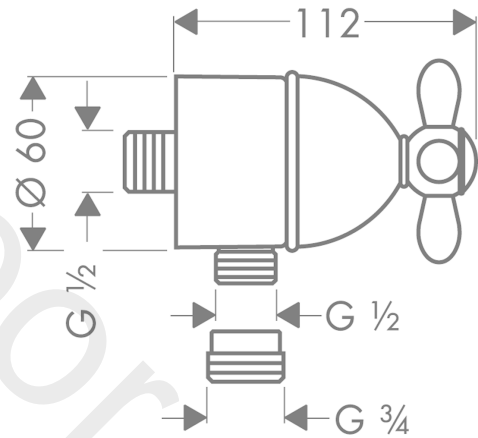
product features

- connection type: DN15
- hose connection DN15
- with non-return valve

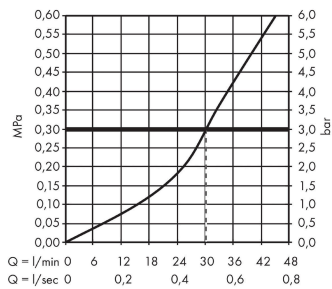
Product image



Scale drawing



Flowchart

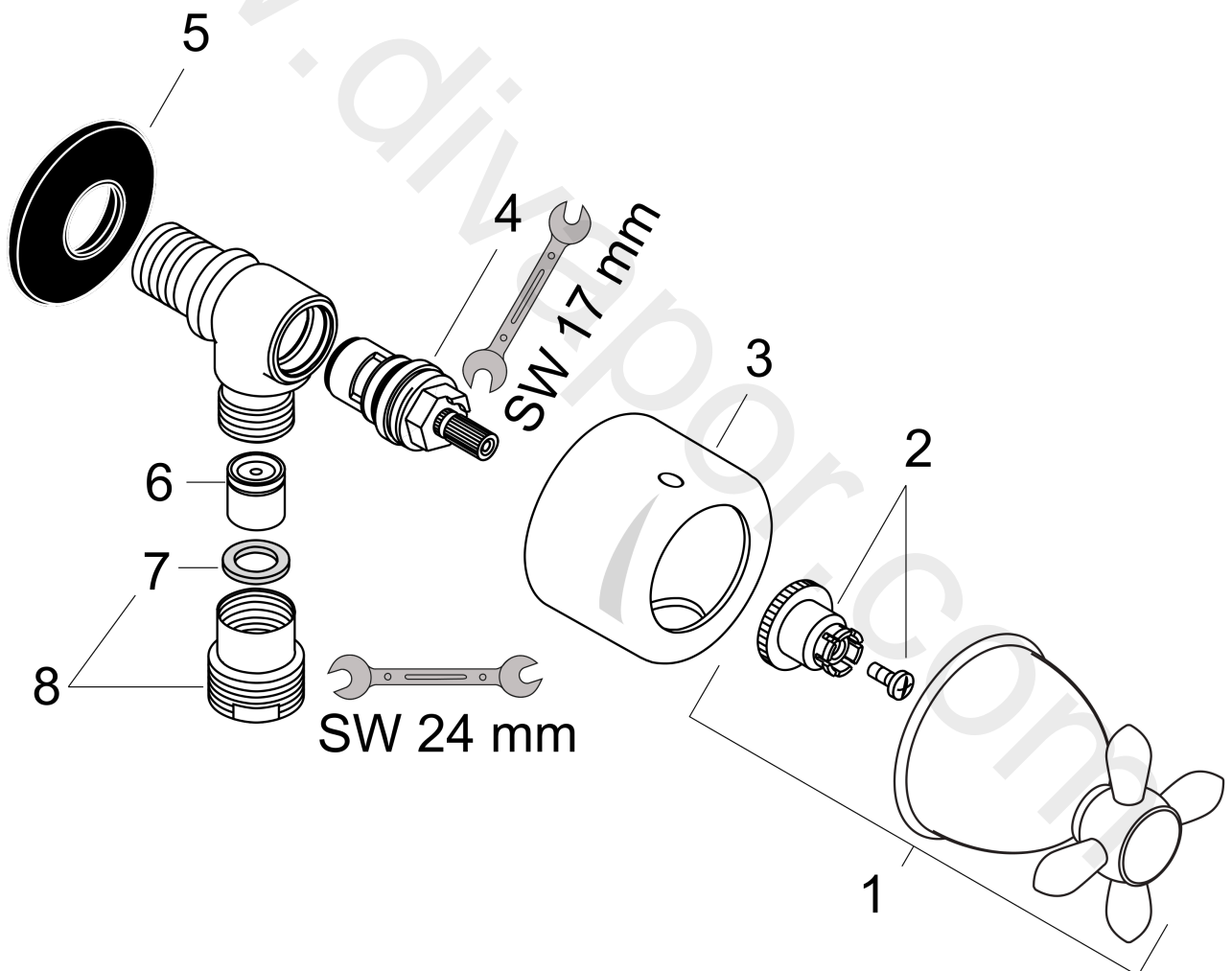


AXOR Carlton
Fixfit stop wall outlet with shut-off valve and cross handle
Finish: **Chrome/Gold Optic** Article Number: **17883090**



Exploded Drawing

Year of production: >08/01



AXOR Carlton
Fixfit stop wall outlet with shut-off valve and cross handle
 Finish: **Chrome/Gold Optic** Article Number: **17883090**



Spare part list

Year of production: >08/01

| Pos. | | Article Number | Price | PU |
|------|--------------------------------|----------------|----------|----|
| 1 | handle | 17298090 | £ 173,00 | 1 |
| 2 | handle fixing set | 94184000 | £ 6,10 | 1 |
| 3 | sleeve | 96240000 | - | 1 |
| 4 | shut off unit right closing | 96350000 | £ 51,00 | 1 |
| 5 | support element | 98557000 | £ 6,10 | 1 |
| 6 | set of non return valves DW 15 | 94074000 | £ 16,10 | 1 |
| 7 | flat seal | 97674000 | £ 3,30 | 1 |
| 8 | reduction coupling | 92844000 | £ 16,10 | 1 |
| a | concealed item | 15980180 | - | 1 |