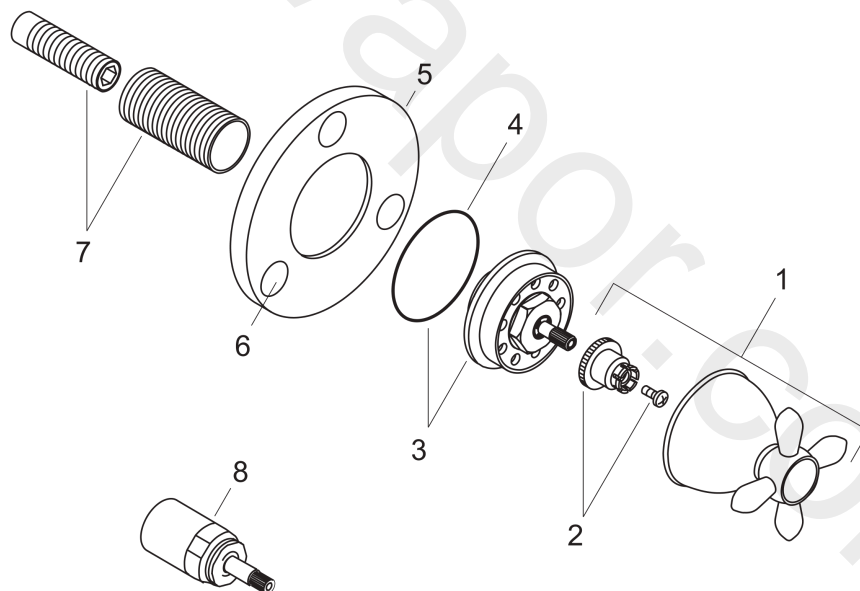


**AXOR Carlton**  
**Trio/ Quattro shut-off/ diverter valve for concealed installation with cross handle**  
Surfaces: Article Number: **17925000**



## Exploded Drawing

Year of production: **04/01 - 12/17**



## AXOR Carlton

Trio/ Quattro shut-off/ diverter valve for concealed installation with cross handle

Surfaces: Article Number: **17925000**



### Spare part list

Year of production: **04/01 - 12/17**

| Pos. |                      | Article Number | Price    | PU |
|------|----------------------|----------------|----------|----|
| 1    | handle               | 17298000       | £ 173,00 | 1  |
| 2    | handle fixing set    | 94184000       | £ 6,10   | 1  |
| 3    | nut                  | 96489000       | £ 35,00  | 1  |
| 4    | O-ring 57x2          | 98210000       | £ 3,30   | 1  |
| 5    | escutcheon Ø 108 mm  | 13936000       | £ 64,00  | 1  |
| 6    | stickers for symbols | 97218610       | £ 20,50  | 1  |
| 7    | fixing set           | 96392000       | £ 35,00  | 1  |
| 8    | extension 25 mm      | 96370000       | £ 84,00  | 1  |
| a    | concealed item       | 15930180       | £ 410,00 | 1  |
| b    | concealed item       | 15981180       | £ 250,00 | 1  |