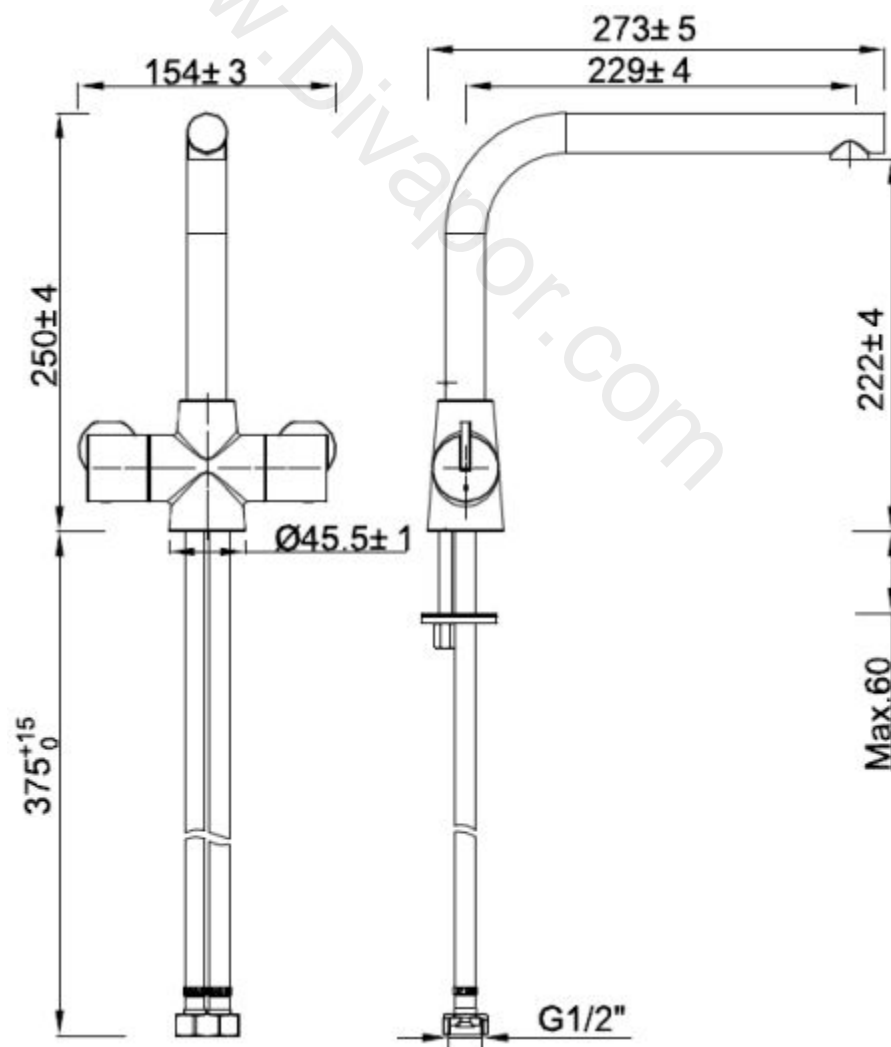


180981-Cosa Mono mixer

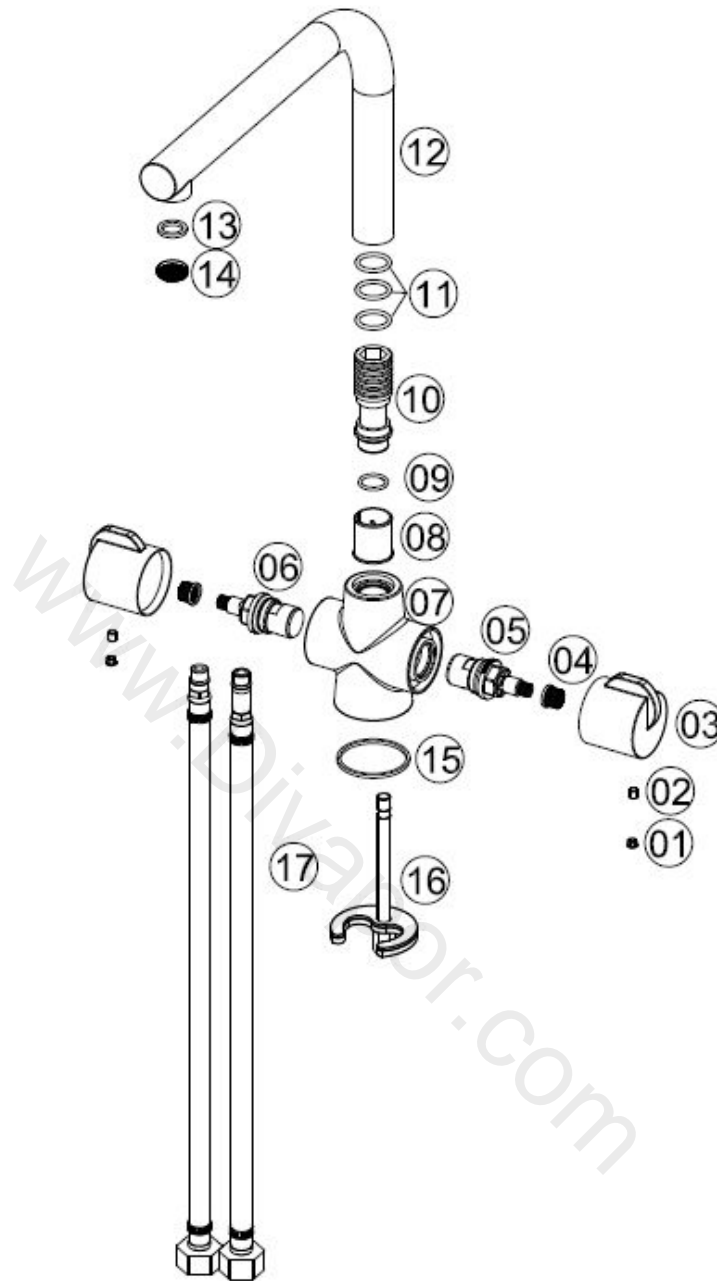


Useful Information	
Minimum operating pressure	0.2 bar
Maximum operating pressure	5 bar
Guarantee length	5 years

Technical Diagram



Exploded Diagram



Item Number	Supplier Ref	Description	Quantity	Spares Available
1	P67	Indice	2	Yes
2	SC5-5SN	Screw	2	Yes
3	177010-H	Handle	2	Yes
4	SA03	Spline Adaptor	2	Yes
5	VS01-C20	1/2" CD Valve	1	Yes
6	VS01-C20	1/2" CD Valve	1	Yes
7	177009-01	Tap Body	1	No
8	177005-N2	Block Ring	1	Yes
9	OR109	O Ring	1	No
10	177005-N4	Adaptor	1	No

11	OR101	O ring	3	Yes
12	177006-02	Spout	1	Yes
13	102301-N	Washer	1	Yes
14	01.5501.0.0001	Aerator	1	Yes
15	177009-N	Washer	1	Yes
16	N28-M	Fixing kit	1	Yes
17	BZG10-1/2"-400	Braided Connectors	1	Yes

Flow Rates

www.Divapor.com

FAQ

What should I do if my tap is dripping/leaking?

Cleaning the valve (if water dripping from tap)

Before carrying out any maintenance, turn off the mains water supply. If unsure contact a qualified tradesman.

Remove the cap(e), grub screw(a), handles(b) and spindle(c).

Remove the valve(d) using a suitable spanner, clean thoroughly under cold water to remove any build up of limescale or debris.

If necessary replace the valve.

Replace the valve(d) into the body, tighten the valve using a suitable spanner.

Replace the spindle(c) and handles(b), tighten the grub screw(a).

Re-fit the lever or cap(e) to handle(b).

What does the Guarantee Cover?

The Guarantee Covering leakage, manufacturing defects and Chrome plating.

The guarantee does not cover:

- Damage or defects caused by:
 - general wear and tear (including special non-chrome finishes; components such as filters, seals, 'O'rings and washers)
 - incorrect installation
 - repair using non- PPI parts
 - accidental or wilful misuse
 - corrosion and the use of inappropriate cleaning products.
 - system debris including the build up of limescale (which can be controlled through regular servicing and maintenance).
- Compensation for loss of use of the product or consequential loss of any kind.