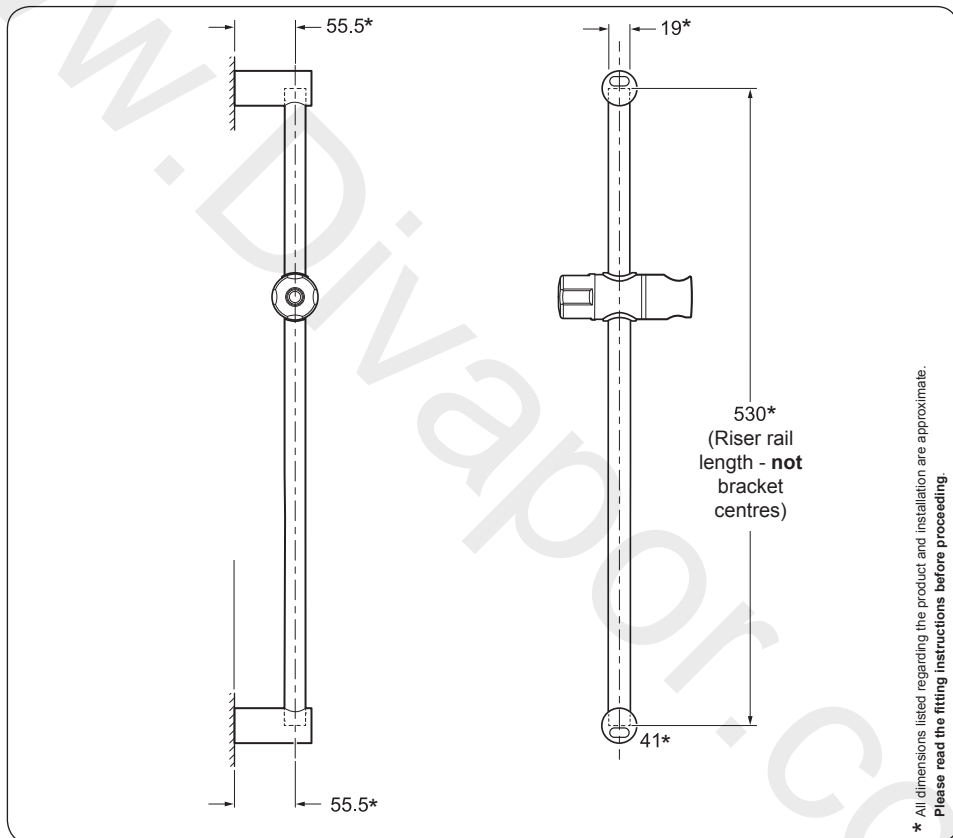


# AARON

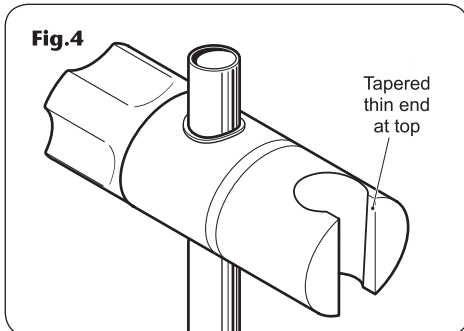
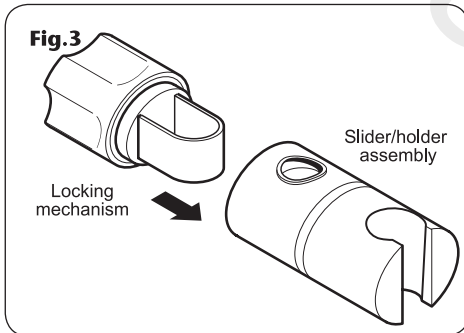
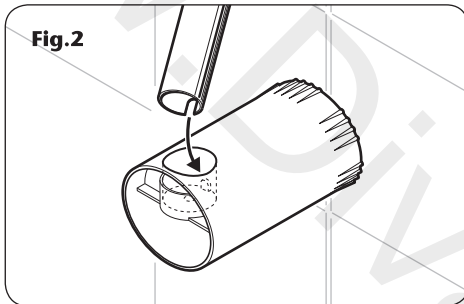
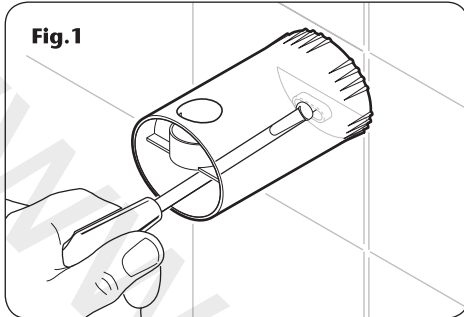
## Riser rail assembly



## Installation Instructions

INSTALLERS PLEASE NOTE THESE INSTRUCTIONS ARE TO BE LEFT WITH THE USER

## FITTING THE AARON RISER RAIL ASSEMBLY



### WARNING!

**Check there are no hidden cables or pipes before drilling holes for wall plugs. Use great care when using power tools near water. The use of a residual current device (RCD) is recommended when using power tools.**

**IMPORTANT:** *The kit should be fitted in the following sequence to allow correct measurement and placement of the bracket holes.*

Decide the position for the rail on the wall within the shower area. Proceed as follows:

- Offer the lower bracket to the wall.

**Note:** *The lower bracket has a small peg in the riser rail hole.*

- Position the bracket and mark the centre hole. Remove the bracket then drill and plug the wall. (*An appropriate drill bit should be used. If the wall is plasterboard or a soft building block, appropriate wall plugs should be fitted.*)
- Replace the bracket to the wall and secure in place using the screw supplied (**fig.1**).

**Note:** *The locating hole is elongated to allow for some horizontal adjustment.*

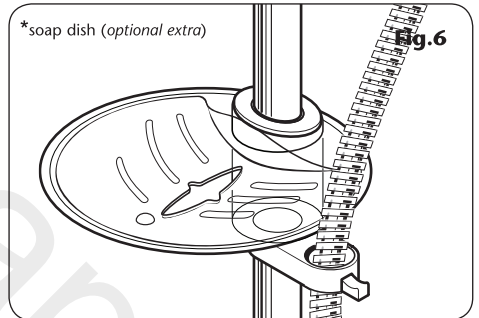
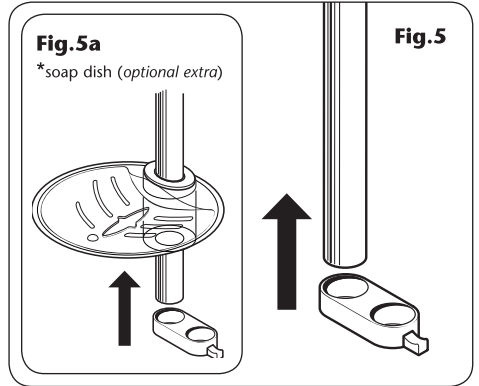
- Locate the rail into the bracket. Make sure it fits properly. The notch in the riser rail should be located onto the peg in the bracket (**fig.2**).
- Fit the upper bracket onto the riser rail making sure the rail is vertical. Mark the centre hole. Remove the bracket and rail, then drill and plug the wall.
- Fit the locking assembly to the slider/holder so that the holes align, then slide onto the rail (**fig.3**).

## FITTING THE AARON RISER RAIL ASSEMBLY

- Tighten the holder to the rail. Make sure the tapered thin end of the showerhead holder is in the upper position (**fig.4**).

**The \*soap dish is an optional extra and can be purchased from Customer Care, please see No: 6 in the spares section for part numbers.**

- Slide the hose retainer onto the bottom of the riser rail (**fig.5**). \*If the soap dish has been purchased please refer to (**fig.5a**).
- Place the rail onto the lower bracket. Replace the upper bracket onto the rail and secure to the wall with the screw supplied.
- Fit the end caps onto both brackets. The end caps will only fit one way.



## FITTING THE HOSE AND SHOWERHEAD

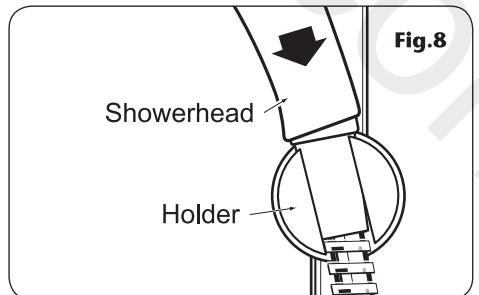
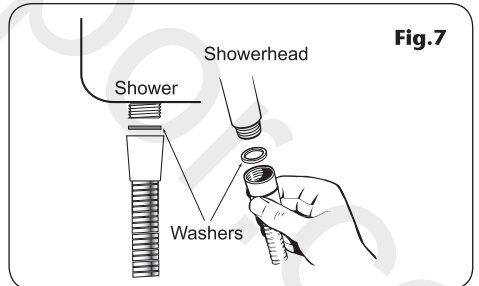
- Feed the flexible hose through the hose retainer (**fig.6**) so that it acts as a retaining ring (*The hose retainer **MUST** be fitted to comply with Water Regulations*).

**Note:** The holder is slightly tapered and the showerhead and hose will only fit from one direction.

**IMPORTANT:** It is the conical end of the hose which grips into the holder.

The showerhead will not fit in the holder without the hose attached.

- Screw the flexible hose to the shower outlet and showerhead, making sure the supplied washers are in place at both ends of the flexible hose (**fig.7**).
- Place the showerhead into the holder and check that it fits correctly (**fig.8**).

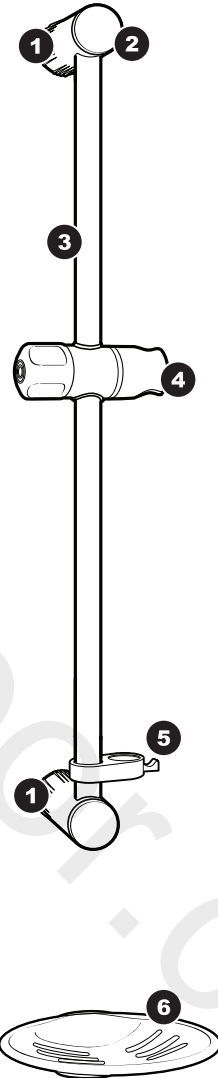


## SPARE PARTS

Ref. Description	Part Number
Kit (without riser rail)	
chrome	88900000
white †(no soap dish)	88900008
white	88900009
<b>1.</b> Brackets & trims (pair)	
white	83310440
chrome	83308340
<b>2.</b> Trims (single)	
white	83310450
chrome	83308350
<b>3.</b> Riser rail – 19mm	
aluminium	88800008
chrome	88800000
<b>4.</b> Showerhead holder	
white	83310460
chrome	83308360
<b>5.</b> Hose retainer	
white	83310480
chrome	83308380
<b>6.</b> †Soap dish (optional extra)	
white	83310470
clear	83308370

Flexible hoses available in the following sizes:

- 1.00 m in white, chrome and gold
- 1.25 m in white, chrome and gold
- 1.75 m in chrome only



† Please note that in some instances, a soap dish may be supplied.

**Please refer to shower installation and operating instructions for service details**